

**Seametrics WMP-Series Flanged Flow Meters**

WMP-Series flow meters are economical plastic bodied flanged magmeters making them light weight and easy to install. WMP meters are available for 1 inch, 2 inch, and 3 inch pipe, and feature electrodes resistant to fouling. The polypropylene flow tube offers corrosion resistance for a wide range of fluid characteristics. WMP require minimal straight pipe requirements allowing these meters to be used in configurations where there is little space between pipe bends. With an included display, select from battery operated or externally power options.

**FEATURES**

- No moving parts
- Minimal straight pipe requirements
- Battery powered option
- Built-in rate and total indicator
- Corrosion resistant
- Pulse output (WMP101 only)
- IP64 Rated

**APPLICATIONS**

- Industrial wastewater discharge
- Grey water
- Well monitoring
- Irrigation
- Mining



**COMPONENT FEATURES**



- ← Polyethylene Protective Cover
- ← LCD Rate and Total Indicator
- ← Powder-coated Die-cast Aluminum Electronics housing
- ← Cross-drilled Screws (2) for tamper-evidence
- ← Corrosion-resistant Glass-filled Polypropylene Body  
Lightweight for easy handling

316SS Electrodes

**CALL GEOTECH TODAY (800) 833-7958**

**Geotech Environmental Equipment, Inc.**  
 2650 East 40th Avenue • Denver, Colorado 80205  
 (303) 320-4764 • FAX (303) 322-7242  
 email: sales@geotechenv.com • website: www.geotechenv.com

### SPECIFICATIONS\*

<b>Pipe Sizes</b>	1, 2, or 3 inch full port						
<b>Fittings</b>	1 inch NPTF, 2 or 3 inch flange clamps with 2 or 3 inch NPTF fitting kit						
<b>Pressure</b>	150 psi or 10.3 bar working pressure @ 70°F						
<b>Operating Temperature Range</b>	Operating: 10° to 130°F (-12° to 54°C), Non-operating: -40° to 176°F (-40° to 80°C)						
<b>Accuracy</b>	±1% of reading (between 10% and 100% of maximum flow) ±3% of reading (between cutoff and 10% of maximum flow)						
<b>Flow Range</b>	<b>Minimum</b>	1": 2.3 gpm (0.145 l/s)		2": 6 gpm (0.38 l/s)		3": 14 gpm (0.88 l/s)	
	<b>Maximum</b>	1": 110 gpm (6.94 l/s)		2": 300 gpm (18.9 l/s)		3": 670 gpm (42.3 l/s)	
<b>Materials</b>	<b>Body</b>	Glass-filled polypropylene					
	<b>Electrodes</b>	316 stainless steel					
	<b>Electronics Housing</b>	Powder coated die-cast aluminum					
	<b>Display Cover</b>	Polyethylene					
<b>Display</b>	<b>Rate</b>					<b>Total</b>	
	<b>Digits</b>	6				8	
	<b>Units</b>	Gallons/Minute, Million Gallons/Day, Cubic Feet/Second, Cubic Feet/Minute, Liters/Second, Liters/Minute, Million Liters/Day, Cubic Meters/Minute, Cubic Meters/Hour				Acre-Feet, Acre-Inch, Gallons, Gallons x 1000, Cubic Feet, Liters, Megaliters, Cubic Meters, Cubic Meters x 1000	
<b>Security</b>	Cross-drilled screws and tamper-evident seal (optional)						
<b>Power</b>	<b>WMP101</b>	10–30 VDC @ 60 mA maximum (15 mA average) Note: Using an unregulated power supply >18 VDC may damage the meter due to AC line input voltage fluctuation.					
	<b>WMP104</b>	6 – AA 1.5V lithium cells, replaceable. Estimated life is 1 year depending on usage (standard) 2 – C 3.6V lithium batteries, replaceable. Estimated life is 2–4 years depending on usage (extended battery life opt)					
<b>Pulse Output Signal</b> (WMP101 only)	Current sinking pulse, opto-isolated, 32 VDC maximum @ 10mA maximum						
<b>Pulse Rate</b> (WMP101 only)	<b>Low Frequency (-PxU)</b>	1 unit/pulse out, pulse width of 10 ms, depending on unit selection					
	<b>High Frequency (-HF)</b>		<b>1"</b>	<b>2"</b>	<b>3"</b>	Pulse width 1.1 ms, min–max frequency, 3–150 Hz	
		Pulse/Gal	80	30	13		
		Pulse/Liter	21.14	7.93	3.44		
<b>Empty Pipe Detection</b>	Hardware/software, conductivity-based						
<b>Conductivity</b>	>20 microSiemens/cm						
<b>Environmental</b>	NEMA 3X, IP64						
<b>Electrical Connection</b> (WMP101 only)	5-pin male circular connector, mates to industry standard cable						

\* Specifications subject to change. Please consult our website for current data ([www.geotechenv.com](http://www.geotechenv.com)).

### FLOW RANGE

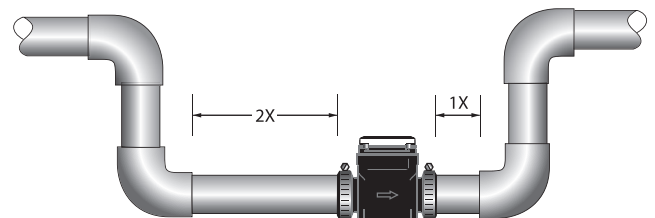
Pipe Size	1"		2"		3"	
	Gal/Min	Liter/Sec	Gal/Min	Liter/Sec	Gal/Min	Liter/Sec
<b>Minimum</b>	2.3	0.145	6	0.38	14	0.88
<b>Maximum</b>	110	6.94	300	18.9	670	42.3



Seametrics Fitting Kit  
for 2 & 3 inch models

### STRAIGHT PIPE RECOMMENDATIONS

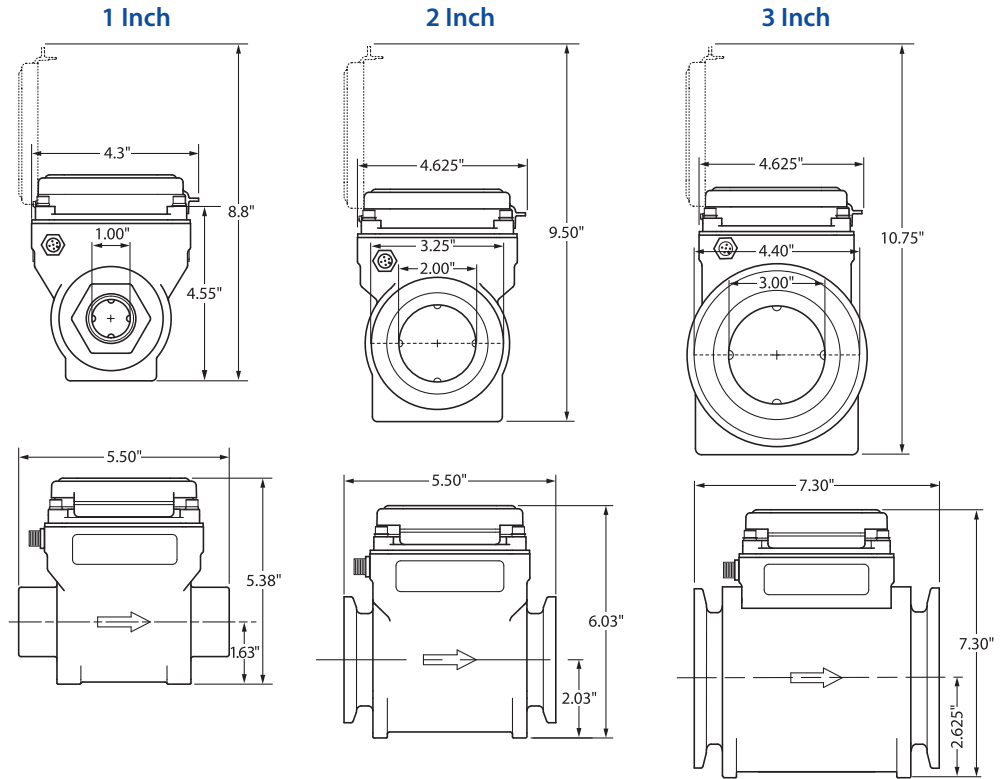
Minimal straight pipe required between elbows.  
For other piping configurations, see instruction manual or consult Geotech.



## Seametrics WMP-Series Flanged Flow Meters

### DIMENSIONS

Dimensions shown without the Seametrics WMP Fitting Kit.



### HOW TO ORDER

Model	Size	Options	Units
External Power = <b>WMP101</b>	1" = -100	Tamper-evident seal, screws, and wire = -32	<u>Rate</u>
Battery Power = <b>WMP104</b>	2" = -200	Extended Battery Life = -133 ( <i>WMP104 Only</i> )	Gal/Min = <b>GPM</b>
	3" = -300	High frequency output = -HF* ( <i>WMP101 Only</i> )	Liters/Sec = <b>LPS</b>
		BSP fittings = -93	Liter/Min = <b>LPM</b>
		<i>*See specifications for default.</i>	Cu Ft/Sec = <b>CFS</b>
			Cu Ft/Min = <b>CFM</b>
			Cu Met/Min = <b>CMM</b>
			Cu Met/Hr = <b>CMH</b>
			Mil Gal/Day = <b>MGD</b>
			Mil Lit/Day = <b>MLD</b>
			<i>Consult Geotech for additional units.</i>
			<u>Total</u>
			Gal = <b>G</b>
			Gal x 1000 = <b>GT</b>
			Cubic Feet = <b>CF</b>
			Acre Inch = <b>AI</b>
			Acre Feet = <b>AF</b>
			Liter = <b>L</b>
			Mega Liters = <b>ML</b>
			Cubic Meters = <b>CM</b>
			Cu Met x 1000 = <b>CMT</b>

#### Accessories

Remote Rate and Total Indicator (DC powered) = **FT430W**  
*(-HF Option Required, WMP101 Only)*

Remote Rate and Total Indicator (Loop powered) = **FT440W**  
*(-HF Option Required, WMP101 Only)*

Remote Data Logger = **DL76W** (*WMP101 Only*)

2" Fitting Kit, FNPT Flange Clamps = **101222**

2" Fitting Kit, BSP Flange Clamps = **102203**

3" Fitting Kit, FNPT Flange Clamps = **102073**

3" Fitting Kit, BSP Flange Clamps = **102204**

**CALL GEOTECH TODAY (800) 833-7958**

#### Geotech Environmental Equipment, Inc.

2650 East 40th Avenue • Denver, Colorado 80205

(303) 320-4764 • FAX (303) 322-7242

email: sales@geotechenv.com • website: www.geotechenv.com