

**Seametrics IP800-Series Insertion Flow Meters**

IP800-Series insertion mechanical flow meters are fixed depth meters suitable for a wide range of liquids. They are designed for use in nonconductive fluids and can be installed in ½ inch to 8 inch pipe. The IP800-Series instruments are compatible with external controllers or directly mounted to a FT430, FT440, and FT450 Seametrics total and rate display. Select from a variety of tee-fittings that match installation pipe materials.

**FEATURES**

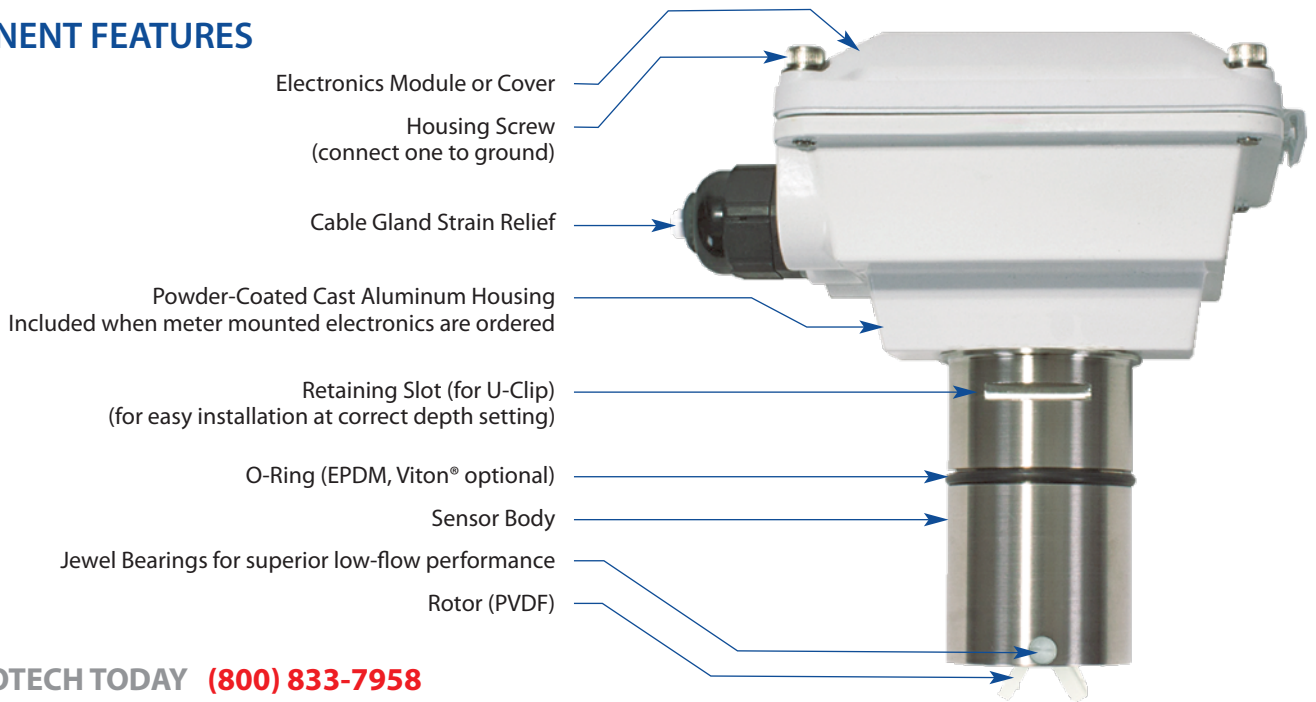
- Economical
- Low-friction jewel bearings
- One moving part
- Fully field serviceable
- Choice of materials for a variety of chemicals
- Fixed depth fitting ensures proper pipe placement

**APPLICATIONS**

- Industrial water/wastewater treatment
- Cooling water monitoring
- Industrial fluid control
- Chemical proportioning



**COMPONENT FEATURES**



**CALL GEOTECH TODAY (800) 833-7958**

**Geotech Environmental Equipment, Inc.**  
 2650 East 40th Avenue • Denver, Colorado 80205  
 (303) 320-4764 • FAX (303) 322-7242  
 email: sales@geotechenv.com • website: www.geotechenv.com

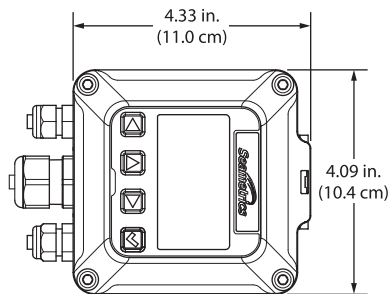
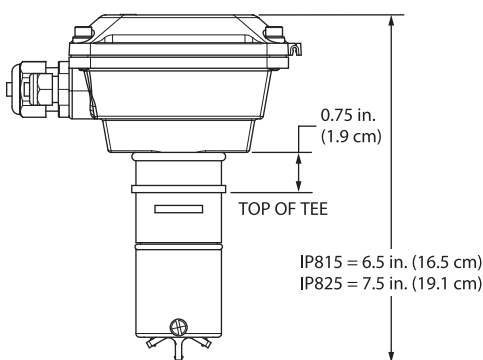
## Seametrics IP800-Series Insertion Flow Meters

### SPECIFICATIONS\*

<b>Pipe Size</b>	½" to 8"		
<b>Power</b>	<b>Low Power:</b> 6-36V DC/< 2 mA	<b>Micropowered (-04 Option):</b> 3.1-16V DC/60 µA @ 3.6V DC	
<b>Sensor</b>	<b>Low Power:</b> Digital Magneto-resistive	<b>Micropowered (-04 Option):</b> Giant Magneto-resistance (GMR)	
<b>Materials</b>	<b>Optional Housing</b>	Powder-coated cast aluminum	
	<b>Sensor Body</b>	Brass, 316 Stainless Steel, PVC, or Polypropylene	
	<b>Rotor</b>	PVDF (Kynar®)	
	<b>Shaft</b>	Kynar®/Tungsten Carbide (Kynar®/Ceramic or Kynar®/Silicon Carbide optional)	
	<b>Bearings</b>	Ruby jewel	
	<b>O-Ring</b>	EDPM (Viton® optional)	
<b>Maximum</b>		<b>Brass</b>	<b>316 Stainless Steel</b>
	<b>Pressure</b>	200 psi (14 bar)	200 psi (14 bar)
	<b>High Pressure</b>	Not available	400 psi (28 bar)
	<b>Temperature</b>	200°F (93°C)	200°F (93°C)
			<b>PVC or Polypropylene</b>
			175 psi (12 bar) @ 75°F (24°C)
			Not available
			130°F (55°C)
<b>Flow Velocity</b>	0.3 to 30 ft./sec. (0.09 to 9.14 m/sec.)		
<b>Accuracy</b>	±1.5% of full scale		
<b>Output Transistor Maximum Current Sinking</b>	150mA (low power version only)		
<b>Cable</b>	#22 AWG 3-con, 18' (6m); 2,000' (610m) maximum cable run <b>Note:</b> 50' (15m) maximum for battery powered or micropowered versions.		
<b>Environmental</b>	See meter mounted electronic specification for rating.		
<b>Regulatory</b>	CE Mark		

\*Specifications subject to change. Please consult our website for the most current data ([www.geotechenv.com](http://www.geotechenv.com)).  
Kynar is a registered trademark of Arkema, Inc., Viton is a registered trademark of DuPont Corporation.

### DIMENSIONS



Note: Housing Optional



**CALL GEOTECH TODAY (800) 833-7958**

**Geotech Environmental Equipment, Inc.**  
2650 East 40th Avenue • Denver, Colorado 80205  
(303) 320-4764 • FAX (303) 322-7242  
email: [sales@geotechenv.com](mailto:sales@geotechenv.com) • website: [www.geotechenv.com](http://www.geotechenv.com)

## Seametrics IP800-Series Insertion Flow Meters

### FLOW RANGE

Nominal Pipe Size	½"	¾"	1"	1½"	2"	3"	4"	6"	8"
Min GPM	0.28	0.5	0.8	1.9	3.1	6.9	12	27	46.8
Min LPM	1.06	1.89	3.03	7.2	11.7	26.1	45	102	177
Max GPM	28	50	80	190	314	691	1190	2700	4680
Max LPM	106	189	302	719	1188	2615	4504	10221	17716

### HOW TO ORDER

	Description	Size	Sensor Material	Options
Sensor Only	Sensor Only.	½" - 3" = IP810 4" - 8" = IP820	Brass = B 316 Stainless Steel = S PVC = P Polypro = Y	Rotor with Ceramic Shaft, PVDF, Kynar® = -01 Micropower Pickup (Required for use with FT450) = -04 Standard Power, LMI 4-pin Connector = -06 Standard Power, Seametrics Control Connector = -07 Immersible = -40* Viton® O-Ring = -60 Rotor with Kynar®/Silicon Carbide Shaft = -68 Roytronic® Series A Pump 5-pin Connector = -106 High Pressure (Stainless Only) = -HP**
FT430 Mounted on Sensor	Rate & total indicator with pulse, externally powered (FT430) mounted on the sensor.	½" - 3" = IP813 4" - 8" = IP823	Brass = B 316 Stainless Steel = S PVC = P Polypro = Y	Rotor with Ceramic Shaft, PVDF, Kynar® = -01 Tamper Evident Kit = -32 Viton® O-Ring = -60 Non-resettable Total = -64 Rotor with Kynar®/Silicon Carbide Shaft = -68 Dual Relay Output = -98 Hinged Display Cover = -126 High Pressure (Stainless Only) = -HP**
DL76 Mounted on Sensor	Data logger (DL76) mounted on the sensor.	½" - 3" = IP816 4" - 8" = IP826	Brass = B 316 Stainless Steel = S PVC = P Polypro = Y	Rotor with Ceramic Shaft, PVDF, Kynar® = -01 Micropower Pickup = -04 Tamper Evident Kit = -32 Viton® O-Ring = -60 Rotor with Kynar®/Silicon Carbide Shaft = -68 High Pressure (Stainless Only) = -HP**
FT450 Mounted on Sensor	Rate & total indicator with pulse, battery powered (FT450) mounted on the sensor.	½" - 3" = IP817 4" - 8" = IP827	Brass = B 316 Stainless Steel = S PVC = P Polypro = Y	Rotor with Ceramic Shaft, PVDF, Kynar® = -01 Tamper Evident Kit = -32 Viton® O-Ring = -60 Non-resettable Total = -64 Rotor with Kynar®/Silicon Carbide Shaft = -68 Hinged Display Cover = -126 High Pressure (Stainless Only) = -HP**
FT440 Mounted on Sensor	Rate & total indicator with pulse & 4-20 mA output, loop powered (FT440) mounted on the sensor.	½" - 3" = IP819 4" - 8" = IP829	Brass = B 316 Stainless Steel = S PVC = P Polypro = Y	Rotor with Ceramic Shaft, PVDF, Kynar® = -01 Tamper Evident Kit = -32 Viton® O-Ring = -60 Non-resettable Total = -64 Rotor with Kynar®/Silicon Carbide Shaft = -68 Dual Relay Output = -98 Hinged Display Cover = -126 High Pressure (Stainless Only) = -HP**

\*Immersible to maximum of 3 ft. (1m), up to 2 weeks.

\*\*Requires appropriate fitting.

Kynar is a registered trademark of Arkema, Inc. Roytronic is a registered trademark of Milton Roy Company. Viton is a registered trademark of DuPont Corporation.