

Seametrics iMAG 4700-Series Flanged Flow Meters

The iMAG-Series flow meters are reliable flanged flow instruments available for 2 inch to 12 inch inline pipe installations. They feature electrodes that are designed to discourage fouling. iMAG meters require minimal straight pipe requirements allowing these meters to be used in configurations where there is little space between pipe bends. Available in a battery only and AC/DC option, with a remote display configuration.

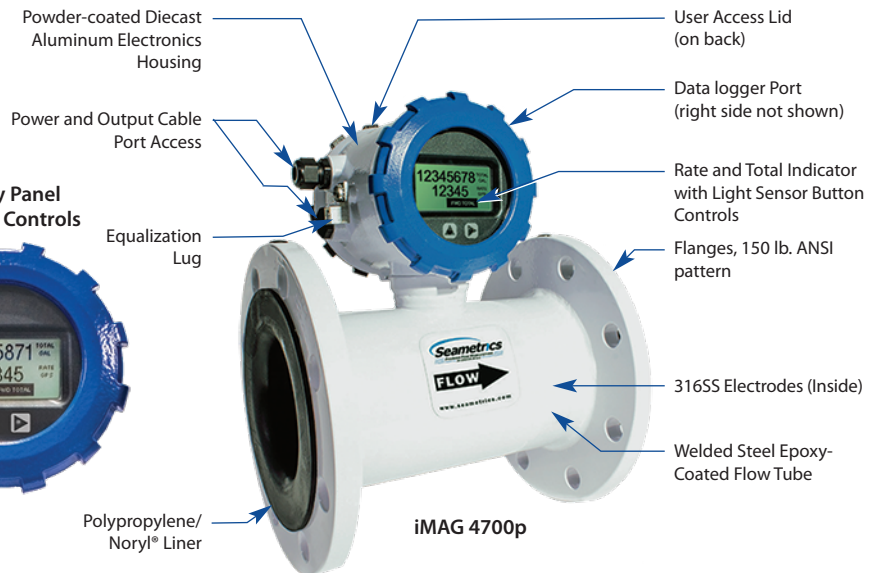
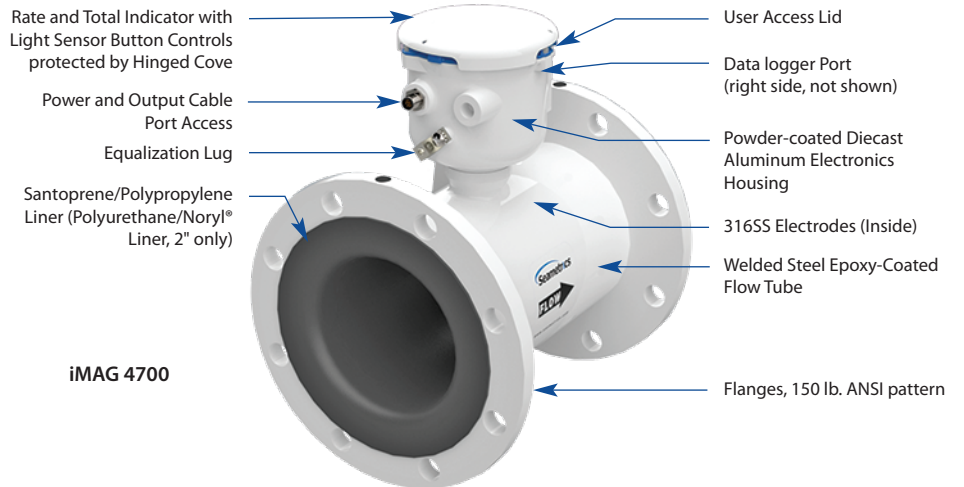
FEATURES

- Easy Setup
- Minimal straight pipe requirements
- Mounted or remote display
- Tamper-evident seal (optional)
- Certified to NSF/ANSI standard 61
- IP68 rated
- No moving parts

APPLICATIONS

- Water and Wastewater treatment
- Municipal
- Pump skids
- Pump stations
- Filtration systems
- Reclaimed water
- Hydraulic fracturing

COMPONENT FEATURES



- Built-in Data Logger (Optional)
- Bidirectional Flow Reading (Standard)
- Pulse Scaled Output (Standard)
- 4-20mA Output (Optional*)
- HART Protocol Output (Optional*)
- Modbus® Protocol Output (Optional*)
- High Speed Digital Output (Optional*)
- Battery Power (iMAG 4700 battery model only)
- External DC Power (Optional*)
- Integrated AC Power Supply (Optional*)
- Remote Display (iMAG 4700r)



*Some optional items only available on some configurations. See **How to Order Worksheet** for further details.

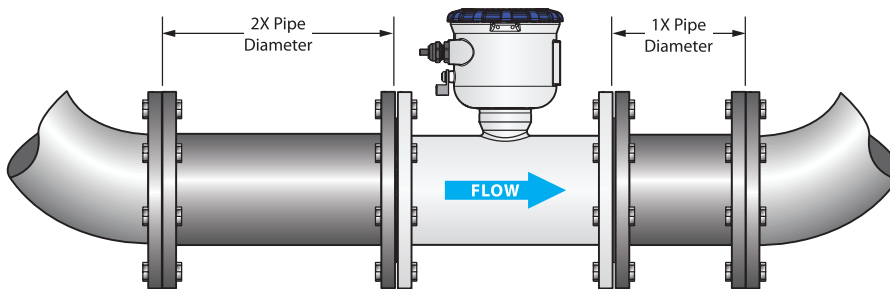
CALL GEOTECH TODAY (800) 833-7958

Geotech Environmental Equipment, Inc.
 2650 East 40th Avenue • Denver, Colorado 80205
 (303) 320-4764 • FAX (303) 322-7242
 email: sales@geotechenv.com • website: www.geotechenv.com

Seametrics iMAG 4700-Series Flanged Flow Meters

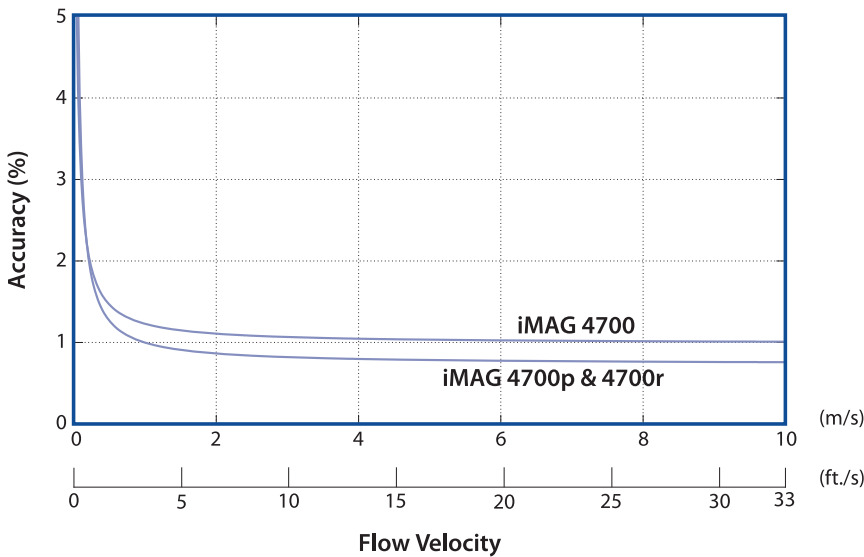
FLOW RATE (2"-12")

Pipe Size (Inches in diameter)	2"	3"	4"	6"	8"	10"	12"
Max Flow Rate (Gallons/Minute)	321	722	1285	2891	5140	8031	11565
Cut-off (min) Flow Rate (Gallons/Minute)	2	4.0	6.43	14.46	25.70	40.15	57.82
Max Flow Rate (Liters/Second)	20.25	46	81	182	324	507	730
Cut-off (min) Flow Rate (Liters/Second)	0.13	0.23	0.41	0.91	1.62	2.54	3.65
Max Flow Velocity (Meters/Second)	10	10	10	10	10	10	10



Minimal straight pipe requirements to ease installation in tight quarters.

iMAG ACCURACY



CALL GEOTECH TODAY (800) 833-7958

Geotech Environmental Equipment, Inc.
 2650 East 40th Avenue • Denver, Colorado 80205
 (303) 320-4764 • FAX (303) 322-7242
 email: sales@geotechenv.com • website: www.geotechenv.com

Seametrics iMAG 4700-Series Flanged Flow Meters

SPECIFICATIONS*

Pipe Sizes	2", 3", 4", 6", 8", 10", 12"						
Flanges	150 lb. ANSI Pattern						
Pressure	150 psi (10.3 bar) line pressure						
Temperature	Operating	10° to 140°F (-12° to 60°C)					
	Storage	-40° to 158°F (-40° to 70°C)					
Accuracy	±0.75% of reading on iMAG 4700p and 4700r (±1.0% iMAG 4700), ±0.025% of full-scale flow from low flow cutoff to maximum flow rate of 10 m/sec						
Low Flow Cutoff	0.5% of maximum flow rate						
Materials	Body (2"-12")	Welded steel, epoxy-coated					
	Liner (2" & 3")	Polyurethane/Noryl®					
	Liner (4"-12")	Santoprene flange/Polypropylene liner body					
	Electronics Housing	Powder-coated die-cast aluminum					
	Electrodes	316 stainless steel					
Display	Type	128 x 64 dot-matrix LCD					
	Digits	5 Digit Rate			8 Digit Total		
	Units	Rate Volume Units		Rate Time Units		Total Volume Units	
		Gallons Liters Barrels (42 gal.) Cubic Feet Cubic Meters	Million Gallons ² Mega Liters ² Imperial Gallons Million Imperial Gallons ²	Second Minute Hour Day	Gallons Gallons x 10 Gallons x 100 Gallons x 1000 Million Gallons Liters Kilo Liters Mega Liters	Barrels (42 gal.) Cubic Meters Cubic Meters x 1000 Cubic Feet Cubic Feet x 1000 Second Foot Day Million Cubic Feet	Acre Feet Acre Inches Imperial Gallons Imperial Gallons x 1000 Million Imperial Gallons Fluid Ounces
	Bidirectional¹	Forward Total, Reverse Total, Net Total, Batch Forward Total, Batch Reverse Total (Batch totals can be reset)					
Power	DC Power	9-36 VDC @ 250 mA maximum, 30 mA average					
	Battery Backup <i>(Not for use as primary power)</i>	DC powered units: One lithium 7.2V 'D' size battery pack, replaceable. AC powered units: One 9V alkaline battery, replaceable.					
	AC Power	85-264 VAC, 50/60Hz, 0.12A (<i>iMAG 4700r and 4700p only</i>)					
	Battery (<i>iMAG 4700 only</i>)	One lithium 7.2V 'D' size battery pack, replaceable.					
Scaled Pulse Output	Signal	Current sinking pulse, isolated, 36 VDC at 10 mA max.					
	Pulse Rates	User-scalable from 0.1 to 99,999.9 volume units/pulse. Pulse width is one-half of pulse period with minimum pulse width of 2.5 ms, 200 pulses/sec max. For battery option meters, pulse width varies with frequency, 150 pulses/sec max.					
Options	4-20mA Current Loop	Isolated, passive, 24VDC, 650 Ω maximum current loop					
	HART/4-20mA	HART protocol over 4-20mA line (<i>iMAG 4700p and 4700r only</i>)					
	High Speed Digital	Isolated, open collector, 24 VDC (<i>iMAG 4700p only</i>)					
	Serial Communications	Isolated, asynchronous serial RS485, Modbus® RTU protocol					
Cable	Power/Output Cable	20 ft. (6m) standard length polyurethane jacketed cable — for power and outputs (lengths up to 200' available).					
	Remote Display Cable	20 ft. (6m) standard length polyurethane jacketed cable — for connection between meter and remote display (lengths up to 200' available). (<i>iMAG 4700r</i>)					
Conductivity	>20 microSiemens/cm						
Empty Pipe Detection	Hardware/software, conductivity-based						
Regulatory	CE (EN 61326), 2"-12" certified to NSF/ANSI Standard 61 60°C (140°F)						
Environmental	NEMA 6P, IP68 (10 ft. (3m) depth, continuously)						

Modbus is a registered trademark of Schneider Electric.

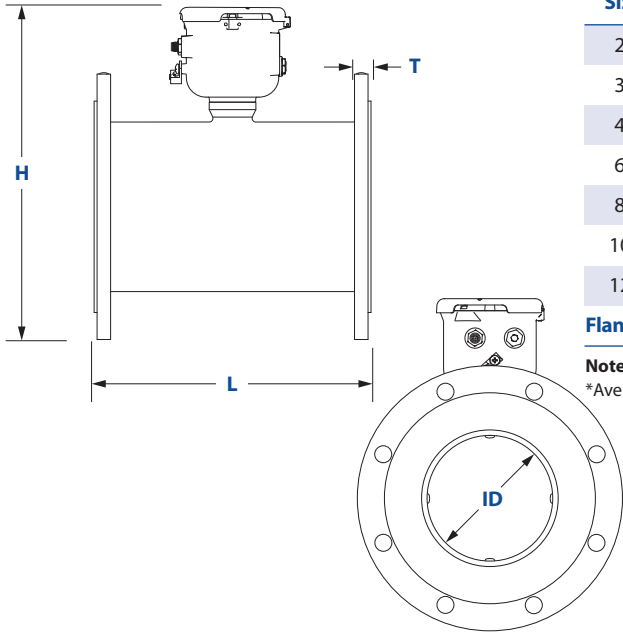
* Specifications subject to change. Please consult our website for the most current data (www.geotechenv.com).

¹ If forward and reverse flow data needs to be sent to another device, either the Digital or Modbus output is required.

² Rate Time Unit is available in Day only.

Seametrics iMAG 4700-Series Flanged Flow Meters

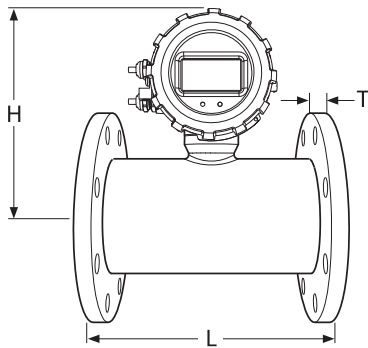
DIMENSIONS – iMAG 4700



iMAG Meter Size	L		H		T		ID		Shipping Weight	
	inch	mm	inch	mm	inch	mm	inch	mm	lbs.	Kg
2"	7.9	200	7.6	193	.62	15.7	1.76*	45*	25	11.3
3"	12.25	311	7.08	179.8	.68	17.25	2.6	66.04	38	17
4"	10.12	257	8.3	211	.62	15.7	3.12	79	33	15
6"	12.09	307	9.1	231	.69	17.5	5.05	128	49	22
8"	14.14	359	10.1	257	.69	17.5	6.44	164	70	32
10"	18.08	459	11.2	284	.69	17.5	8.61	219	130	59
12"	19.68	500	12.2	310	.81	20.6	10.55	268	170	77
Flanges	Standard ANSI 150 lb. drilling								Cable 1 lb.	

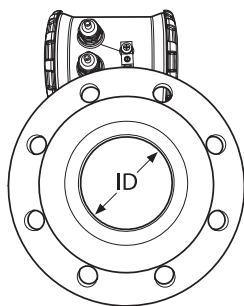
Note: 'L' dimension is total from liner face to liner face
*Average ID

DIMENSIONS – iMAG 4700r and iMAG 4700p

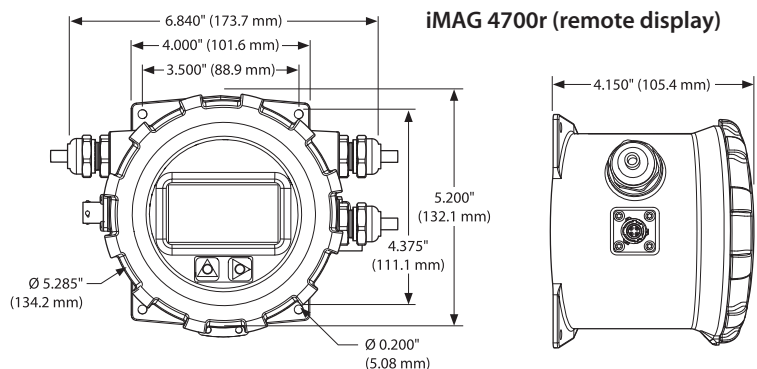


iMAG Meter Size	L		H		T		ID		Shipping Weight			
	inch	mm	inch	mm	inch	mm	inch	mm	AG3000p		AG3000r	
									lbs.	Kg	lbs.	Kg
2"	7.9	200	7.6	193	.62	15.75	1.76*	45*	26	12	35	15.9
3"	12.25	311	7.08	179.8	.68	17.25	2.6	66.04	39	17.5	40	18
4"	10.12	257	8.6	218	.62	15.7	3.12	79	34	15.5	43	19.5
6"	12.09	307	9.4	239	.69	17.5	5.05	128	50	22.5	59	27
8"	14.14	359	10.4	264	.69	17.5	6.44	164	71	32	78	35
10"	18.08	459	11.5	292	.69	17.5	8.61	219	130	59	135	61
12"	19.68	500	12.5	317	.81	20.6	10.55	268	170	77	175	79
Flanges	Standard ANSI 150 lb. drilling								Cable 1 lb.			

Note: 'L' dimension is total from liner face to liner face
*Average ID



iMAG 4700p



iMAG 4700r (remote display)

Seametrics iMAG 4700-Series Flanged Flow Meters

HOW TO ORDER WORKSHEET

iMAG 4700 iMAG 4700p iMAG 4700r	①	②	③	④	⑤	⑥	⑦	⑧
② Style: F1 = 150 lb. ANSI Pattern	④ Power: D1 = DC 60Hz, D2 = DC 50Hz A1 = AC 60Hz, A2 = AC 50Hz BX = Battery			⑤ Outputs: X = No optional output L = 4-20mA S = Modbus® H = HART/4-20mA G = Digital				

	①	②	③	④	⑤	⑥	⑦	⑧
iMAG 4700 (Integrated Display)	Size	Style	Gaskets³	Power	Optional Output² (The 4700 comes standard with one pulse output)	Options	DC Power/Output Cable (Must select one)	
	-0200* 2" -0300 3" -0400 4" -0600 6" -0800 8" -1000 10" -1200 12"	-F1	-X None -R Non NSF -P NSF	-D1 -D2	-X (requires 4 conductor cable for DC power & output) -L (requires 8 conductor cable for DC power & output) -S (requires 8 conductor cable for DC power & output)	-XX None -01 Data Logger	-0000 No Cable (Battery only with no output) <u>4 Conductor</u> <u>8 Conductor</u> -0064 -0068 6 meter (20 ft.) -0154 -0158 15 meter (50 ft.) -0304 -0308 30 meter (100 ft.) -0454 -0458 45 meter (150 ft.) -0604 -0608 60 meter (200 ft.)	
iMAG 4700p (Integrated Display)	Size	Style	Gaskets	Power¹	Optional Output² (The 4700p comes standard with 4-20mA and one pulse output)	Options	DC Power/Output Cable - 8 conductor (Must select one)	
	-0200* 2" -0300 3" -0400 4" -0600 6" -0800 8" -1000 10" -1200 12"	-F1	-X None -R Non NSF -P NSF	-D1 -D2	-X (requires single cable for DC power & output) -H (requires single cable for DC power & output) -S (requires dual cable for DC power & output) -G (requires dual cable for DC power & output)	-XX None -01 Data Logger	-0000 No Cable (customer will supply) <u>Single</u> <u>Dual</u> -006S -006D 6 meter (20 ft.) -015S -015D 15 meter (50 ft.) -030S -030D 30 meter (100 ft.) -045S -045D 45 meter (150 ft.) -060S -060D 60 meter (200 ft.)	
iMAG 4700r (Remote Display)	Size	Style	Gaskets	Power¹	Optional Output² (The 4700r comes standard with one pulse output)	Options	DC Power/Output Cable - 6 conductor (Must select one)	Remote Display Cable - 6 conductor (Must select one)
	-0200* 2" -0300 3" -0400 4" -0600 6" -0800 8" -1000 10" -1200 12"	-F1	-X None -R Non NSF -P NSF	-D1 -D2	-X (requires single cable for DC power & output) -L (requires single cable for DC power & output) -H (requires single cable for DC power & output) -S (requires dual cable for DC power & output)	-XX None -01 Data Logger	-0000 No Cable (customer will supply) <u>Single</u> <u>Dual</u> -006S -006D 6 meter (20 ft.) -015S -015D 15 meter (50 ft.) -030S -030D 30 meter (100 ft.) -045S -045D 45 meter (150 ft.) -060S -060D 60 meter (200 ft.)	-006 6 meter (20 ft.) -015 15 meter (50 ft.) -030 30 meter (100 ft.) -045 45 meter (150 ft.) -060 60 meter (200 ft.)

* 2" (-0200) iMAG 4700 meter will be available in May 2021; battery powered Modbus available in April 2021

Modbus is a registered trademark of Schneider Electric. Viton is a registered trademark of DuPont Corporation.

Note: All iMAG meters are factory set for gallons per minute (GPM) rate and gallons total. If other units are required, they can be programmed in the field.

¹ AC meters come with a 1.8 meter (6 ft.) AC power cable.

² You can choose up to one additional output on powered meters only.

³ If -X is selected, customer must provide full faced gaskets. Failure to install gaskets will void warranty. No charge for non NSF (-R) gaskets.

⁴ Battery life is shortened when using Modbus with battery powered units. Expected battery life is approximately 1 year, based on usage.

User is responsible for reviewing end use application with their supplier for product suitability.

Geotech Environmental Equipment, Inc.

2650 East 40th Avenue • Denver, Colorado 80205

(303) 320-4764 • FAX (303) 322-7242

email: sales@geotechenv.com • website: www.geotechenv.com