

Seametrics FT400-Series Rate and Total Flow Displays

The FT430/440/450 flow computers are microcontroller-based indicator/transmitters that interface with pulse output flow sensors to compute and display flow rate, flow total, and also generate output signals representing flow. These instruments are directly compatible with Seametrics mag or mechanical flow meters and include pulse and 4-20mA analog outputs can be used to signal external devices, such as metering pumps, water treatment controls, alarms.

FEATURES

- Remote Wall or Direct Meter Mount
- DC powered – FT430
- 4-20mA loop powered – FT440
- Battery power – FT450
- Rugged plastic housing
- Non-volatile memory

APPLICATIONS

- Anywhere a Seametrics Flow Meter is installed
- Water treatment
- Water utility
- Industrial chemical handling



CALL GEOTECH TODAY (800) 833-7958

Geotech Environmental Equipment, Inc.
2650 East 40th Avenue • Denver, Colorado 80205
(303) 320-4764 • FAX (303) 322-7242
email: sales@geotechenv.com • website: www.geotechenv.com

Seametrics FT400-Series Rate and Total Flow Displays

SPECIFICATIONS*

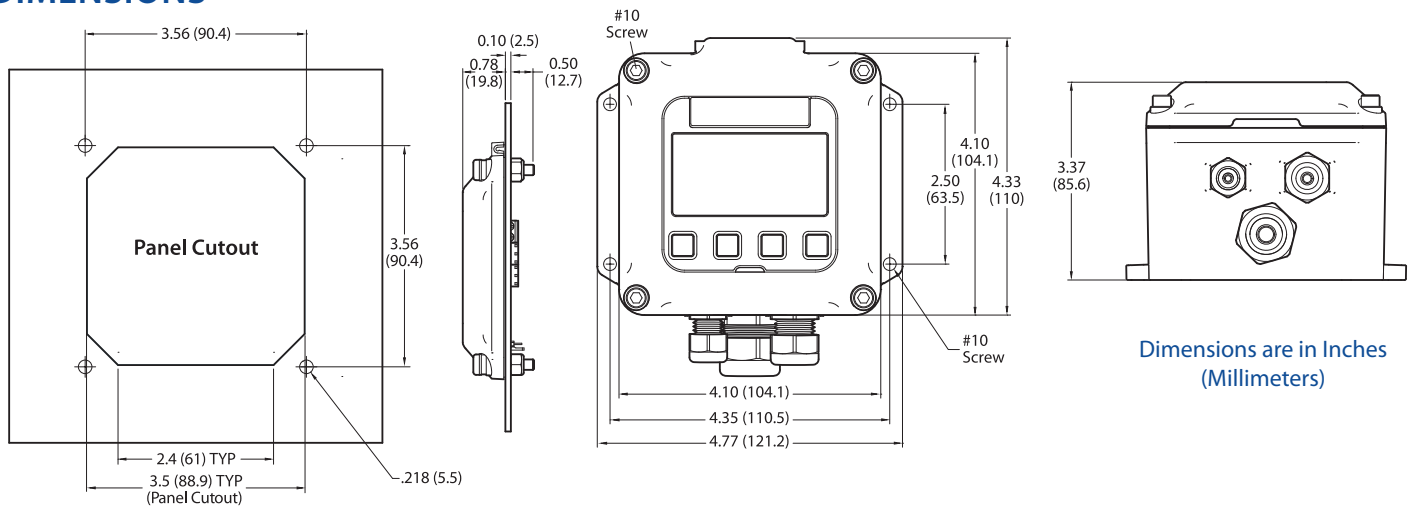
	FT430	FT440	FT450
Power	7-30V DC, 4mA	9-30V DC, 4mA (4-20 mA when loop-powered)	Lithium "C"; 3.6V DC, replaceable. Life is ~5 years depending on usage.
Display	Rate	5-digit autorange	5-digit autorange
	Total	8-digit	8-digit
Units	Rate Units	Gallons/Second/Minute/Hour/Day, Liter/Second/Minute/Hour/Day, Cubic Feet/Second/Minute/Hour/Day, Cubic Meters/Second/Minute/Hour/Day, Mega Liters/Day, Million Gallons/Day, Fluid Oz./Second/Minute/Hour/Day, Barrels/Second/Minute/Hour/Day	
	Total Units	Gallon, Gallon x 1000, Liters, Mega Liter, Cubic Meter, Acre Feet, Cubic Feet, Cubic Feet x 1000, Million Gallon, Acre Inch, Fluid Ounce, Barrels	
Outputs	Pulse Output 1	Scaled pulse output, high alarm output or low alarm output. Optoisolated on FT430 and FT440. ¹	
	Pulse Output 2	Pulse pass through	Scaled pulse output, high alarm output or low alarm output. ¹
	Loop Power Output	N/A	4-20mA Loop
Set P Range	0.1-99999.9 units/pulse	0.1-99999.9 units/pulse	0.1-99999.9 units/pulse
Input	5V pulse or contact closure	5V pulse or contact closure	Micropower GMR Sensor (square wave)
Input Range	0.75 ² -2000Hz	0.75 ² -2000Hz	0.75 ² -550Hz
K-Factor Range	.001-999999.999	.001-999999.999	.001-999999.999
Flow Alarm Output Range	0.1-99999.9	0.1-99999.9	0.1-99999.9
Operating Temperature	-5° to 55°C (23° to 131°F)	-5° to 55°C (23° to 131°F)	-5° to 55°C (23° to 131°F)
Non-Operating Temperature	-40° to 75°C (-40° to 158°F)	-40° to 75°C (-40° to 158°F)	-40° to 75°C (-40° to 158°F)
Environmental	NEMA 4X, IP67	NEMA 4X, IP67	NEMA 4X, IP67
Regulatory	CE	CE	CE

* Specifications subject to change. Please consult our website for current data (www.geotechenv.com).

1 Scaled output pulses have a fixed width of 100ms. Maximum pulses per second is 6.5Hz.

2 For pulse frequencies <1 Hz, increase setting in SET F menu to 3 or higher.

DIMENSIONS



CALL GEOTECH TODAY (800) 833-7958

Geotech Environmental Equipment, Inc.

2650 East 40th Avenue • Denver, Colorado 80205

(303) 320-4764 • FAX (303) 322-7242

email: sales@geotechenv.com • website: www.geotechenv.com

Seametrics FT400-Series Rate and Total Flow Displays

PULSE OUTPUT FUNCTION TABLE

PULSE OUTPUT 1 (Scaled)	FT430	FT440	FT450
Type	Current sinking	Current sinking	Current sinking
Max. Voltage	36V DC	36V DC	36V DC
Max. Current	100 mA	100 mA	100 mA
Max. Frequency	6.5 Hz	6.5 Hz	6.5 Hz
Pulse Width	100 ms	100 ms	100 ms
Isolation	300V	300V	NOTE 1
Configurable As Alarm	YES (High or Low)	YES (High or Low)	YES (High or Low)
PULSE OUTPUT 2 (Scaled)	FT430	FT440 (NOTE 2)	FT450
Type	N/A	Current sinking	N/A
Max. Voltage		36V DC	
Max. Current		100 mA	
Max. Frequency		6.5 Hz	
Pulse Width		100 ms	
Isolation		300V	
Configurable As Alarm		YES (High or Low)	
PULSE OUTPUT 2 (Passthrough)	FT430	FT440	FT450
Type	Current sinking	N/A	Current sinking
Max. Voltage	36V DC		36V DC
Max. Current	10 mA		100 mA
Max. Frequency	2000 Hz NOTE 2		550 Hz
Pulse Width	Same As Sensor Input		Same As Sensor Input
Isolation	300V		NOTE 1
Configurable As Alarm	NO		NO

NOTE 1: 150 V effective isolation when using Seametrics micropower sensors.

NOTE 2: With 2000 ohm or lower pull-up resistance.

CALL GEOTECH TODAY (800) 833-7958

Geotech Environmental Equipment, Inc.

2650 East 40th Avenue • Denver, Colorado 80205

(303) 320-4764 • FAX (303) 322-7242

email: sales@geotechenv.com • website: www.geotechenv.com

Seametrics FT400-Series Rate and Total Flow Displays

HOW TO ORDER

Order the FT440 only if a 4-20mA output signal is a requirement and the FT450 if internal battery power is needed. Otherwise the FT430 offers the most flexibility.

Model

DC-powered indicator = **FT430**

Loop-powered indicator/transmitter = **FT440**

Battery-powered indicator = **FT450**

Mounting

Wall mount = **-W**

Panel mount = **-P**

(FT430/FT440 only)

Meter mount = **See appropriate meter specification to order meter mounted units.**

Options

Tamper-evident = **-32**

Non-resettable total = **-64**

Dual Relay Output (FT430/440 only) = **-98**

Display Cover = **-126**

Built-in 120/240V AC/12/24V DC dual power supply (FT430W/FT440W only) = **-139**

Built-in 120/240V AC/12V DC single power supply (FT430W for use with mechanical or magmeters, FT440W for use with mechanical meters) = **-140**

Accessories

Display Cover = **102021**

Dual power supply, plug-in, 115V AC, 12/24V DC = **PC42**

LMI pump power cable = **100013**

LMI pulse out cable = **100039**

Power converter, plug-in, 115V AC, 24V DC = **PC3**

FT430 Module = **103591-01**

FT440 Module = **103591-02**

FT450 Module = **103591-03**

FT430/440 Dual Relay Option w/wire adapter = **100557**

Adapter Kits

	Part #	Electronics module	Lower wall housing	Lower meter housing
Convert wall to meter mount (MK10)	102632	Blue	Blue	Blue
Convert wall to meter mount (MK15)	103594	White	White	White
Convert meter to wall mount (MK20)	102633	Blue	Blue	Blue
Convert meter to wall mount (MK25)	103396	White	White	White
Adapter kit to mount white electronics to blue housing	103391	White	Blue	Blue
Adapter kit to mount white electronics to blue housing/Tamper evident	103392	White	Blue	Blue



CALL GEOTECH TODAY (800) 833-7958

Geotech Environmental Equipment, Inc.

2650 East 40th Avenue • Denver, Colorado 80205

(303) 320-4764 • FAX (303) 322-7242

email: sales@geotechenv.com • website: www.geotechenv.com