

Gas Vapor Probe (GVP) Kits

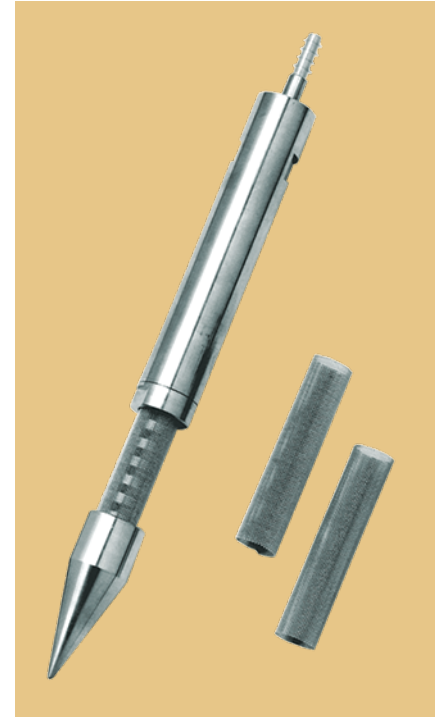
Gas Vapor Probe (GVP) Kits are capable of providing a semi-permanent or dedicated point for shallow subsurface and sub-slab vapor gas sampling. The GVP kit is portable, making it ideal for limited access areas, including indoor environments. The heavy duty gas vapor probe kits come with all the components included with the regular GVP kits, but with the added benefit of flighted augers intended for rocky and hard soil conditions.

FEATURES

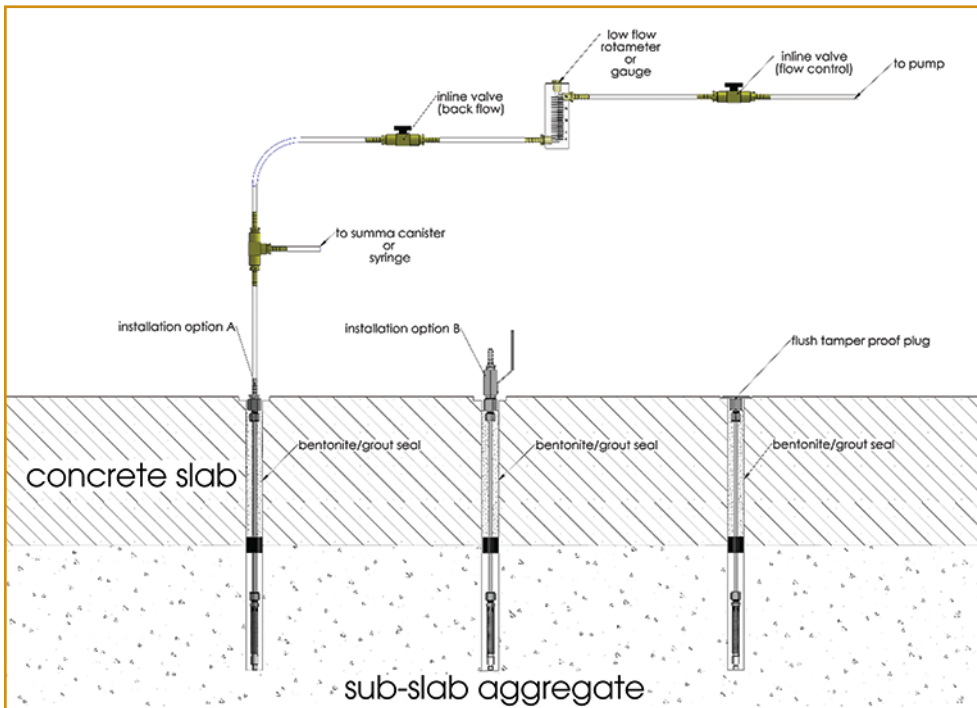
- Long lasting carbide tips for compacted soils
- Access to depths of 9 ft. with supplied extensions
- Capable of boring horizontal or vertical angles
- Add torque with the DeWalt Hammer Drill
- Concrete bit included with Heavy Duty GVP Kits



Dedicated Gas Vapor Probe Tips with Umbrellas
Part B #71450023



Retract-A-Tip Gas Vapor Probe Tip
Part C #71450066



Sub-Slab Vapor Points
Part #71450226

The **Sub-Slab Vapor Sampling Kit** has become an integral part of vapor intrusion investigations. It provides a semi-permanent sample point designed for periodic sampling. After sampling, the tamper proof plug is placed back to maintain sample point integrity.

CALL GEOTECH TODAY

(800) 833-7958

Geotech Environmental Equipment, Inc.

2650 East 40th Avenue • Denver, Colorado 80205

(303) 320-4764 • FAX (303) 322-7242

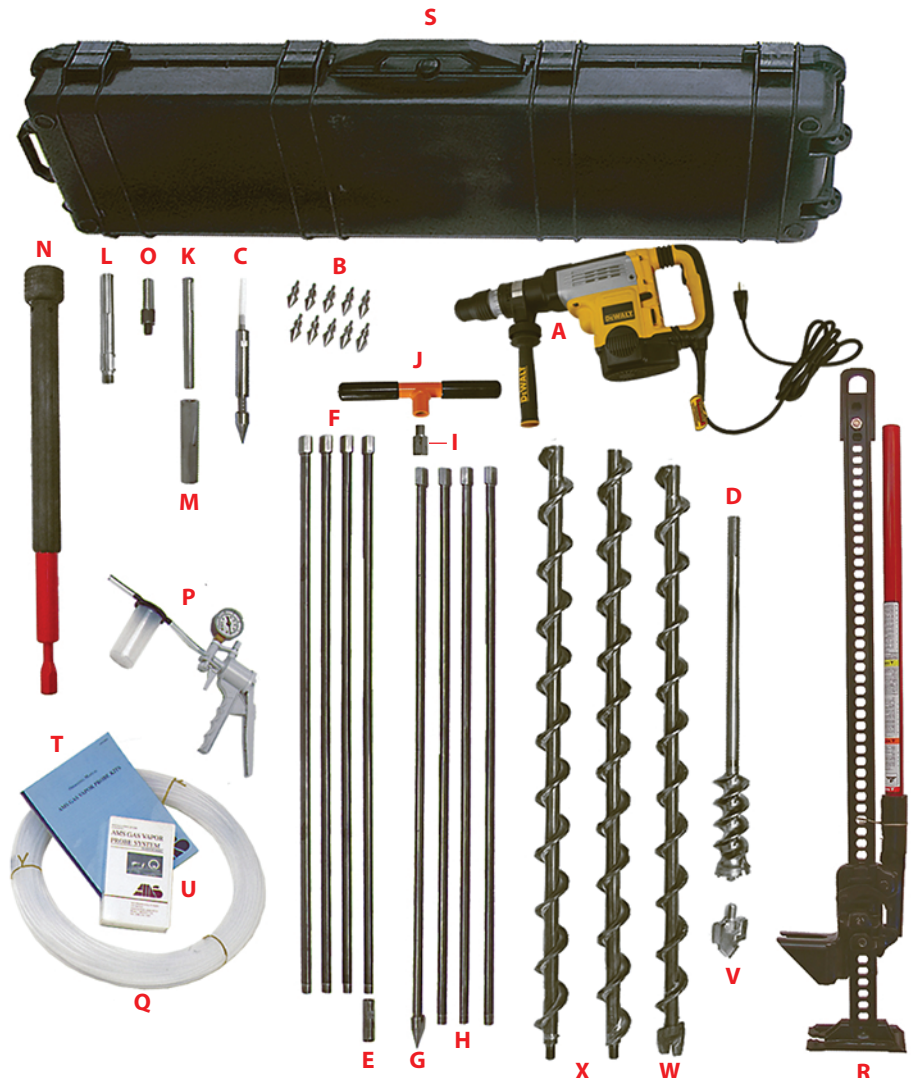
email: sales@geotechenv.com • website: www.geotechenv.com

GAS VAPOR PROBE KITS

Heavy Duty FVP Kit with Flighted Augers and DeWalt Hammer Drill (Part # 71450255)

Kit Includes:

PART	PART #	QUANTITY
A DeWalt D25763K- 2" SDS Max Combination Hammer Drill		1
B GVP Dedicated Tips with Umbrellas	71450023	10
C Retract-A-Tip	71450066	1
D 2 1/2" Wild Bore Bit		1
E 5/8" Tip Drive End		1
F 3' GVP 5/8" Extensions		4
G 5/8" x 3' Heavy-duty Extendable Tile Probe Base		1
H 5/8" x 3' Heavy-duty Tile Probe Extension		3
I External Drive Adapter 3/4" ID		1
J Tee Handle		1
K SDS-Max Drill Adapter 3/4" OD		1
L 5/8" Threaded Male to SDS Max Drill Adapter		1
M Extension Drive Adapter to 3/4" ID		1
N Slide Hammer		1
O Slide Hammer Adapter 3/4" OD		1
P Hand Pump		4
Q 3/16" ID x 1/4" OD x 250' Fluoropolymer Tubing		1
R Removal Jack		1
S Deluxe Carrying Case		1
T GVP Manual		1
U GVP Instruction DVD Video		1
V 2" Carbide Drill Bit		1
W 2" x 36" Flighted Lead Auger with Hard Surfaced Tip		1
X 2" x 36" Flighted Extensions, SDS-Max Drill Adapter		2



CALL GEOTECH TODAY

(800) 833-7958

Geotech Environmental Equipment, Inc.

2650 East 40th Avenue • Denver, Colorado 80205

(303) 320-4764 • FAX (303) 322-7242

email: sales@geotechenv.com • website: www.geotechenv.com

GAS VAPOR PROBE KITS

Heavy-Duty GVP with Dedicated Tips (no DeWalt or Retract-a-Tip) (Part #71450141)

Kit Includes:

PART	PART #	QUANTITY
B GVP Dedicated Tips with Umbrellas	71450023	10
D 2 1/2" Wild Bore Bit		1
E 5/8" Tip Drive End		1
F 3' GVP 5/8" Extensions		4
G 5/8" x 3' Heavy-duty Extendable Tile Probe Base		1
H 5/8" x 3' Heavy-duty Tile Probe Extension		3
I External Drive Adapter 3/4" ID		1
J Tee Handle		1
K SDS-Max Drill Adapter 3/4" OD		1
L 5/8" Threaded Male to SDS Max Drill Adapter		1
M Extension Drive Adapter to 3/4" ID		1
N Slide Hammer		1
O Slide Hammer Adapter 3/4" OD		1
P Hand Pump		4
Q 3/16" ID x 1/4" OD x 250' Fluoropolymer Tubing		1
R Removal Jack		1
S Deluxe Carrying Case		1
T GVP Manual		1
U GVP Instruction DVD Video		1
V 2" Carbide Drill Bit		
W 2" x 36" Flighted Lead Auger with Hard Surfaced Tip		1
X 2" x 36" Flighted Extensions, SDS-Max Drill Adapter		2

Regular GVP Kit with Dedicated Tips (Part #71450270)

Kit Includes:

PART	PART #	QUANTITY
B GVP Dedicated Tips with Umbrellas	71450023	10
E 5/8" Tip Drive End		1
F 3' GVP 5/8" Extensions		4
G 5/8" x 3' Heavy-duty Extendable Tile Probe Base		1
H 5/8" x 3' Heavy-duty Tile Probe Extension		3
I External Drive Adapter 3/4" ID		1
J Tee Handle		1
K SDS-Max Drill Adapter 3/4" OD		1
L 5/8" Threaded Male to SDS Max Drill Adapter		1
SDS-Max 1 1/2" Carbide Bit (not pictured)		1
N Slide Hammer		1
O Slide Hammer Adapter 3/4" OD		1
P Hand Pump		4
Q 3/16" ID x 1/4" OD x 250' Fluoropolymer Tubing		1
R Removal Jack		1
S Deluxe Carrying Case		1
T GVP Manual		1
U GVP Instruction DVD Video		1

CALL GEOTECH TODAY

(800) 833-7958

Geotech Environmental Equipment, Inc.

2650 East 40th Avenue • Denver, Colorado 80205

(303) 320-4764 • FAX (303) 322-7242

email: sales@geotechenv.com • website: www.geotechenv.com