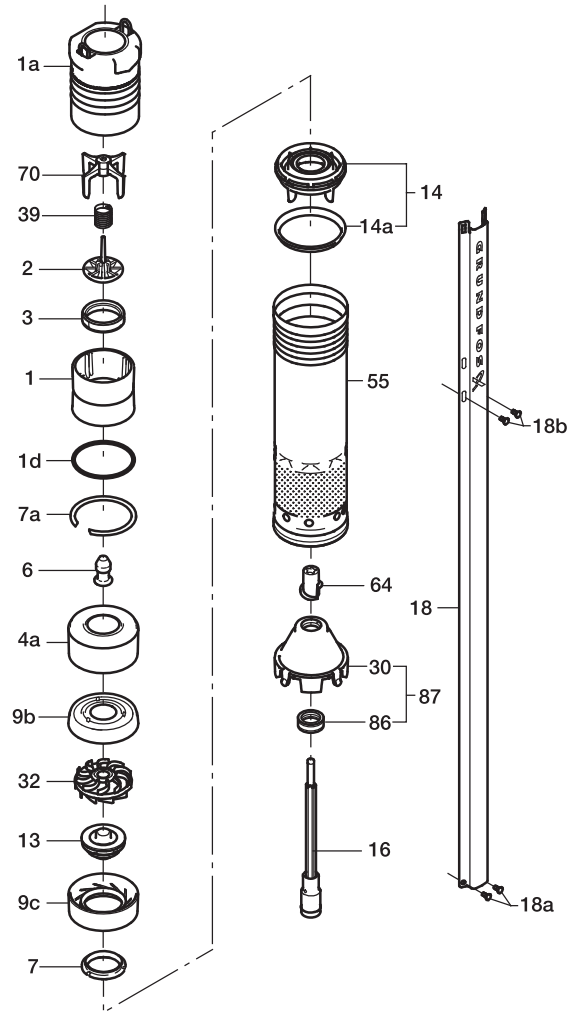


Grundfos Redi-Flo3™ SQE-NE Parts Specifications

REDI-FLO3 SQE-NE PUMP END

Pos.	Component	Material	DIN W. Nr.	AISI
1	Valve Casing	PVDF		
1a	Discharge Chamber	Stainless Steel	1.4401	316
1d	O-Ring	FPM Rubber		
2	Valve Cone	PVDF		
3	Valve Seat	FPM Rubber		
9b	Top Chamber	PVDF		
4a	Empty Chamber	PVDF		
6	Top Bearing	FPM Rubber		
7	Neck Ring	PVDF		
7a	Lock Ring	Stainless Steel	1.4401	316
32	Guide Vanes	PVDF		
9c	Bottom Chamber	PVDF		
13	Impeller with Tungsten Carbide Bearing	PVDF		
14	Suction Interconnector	PVDF		
14a	Ring	Stainless Steel	1.4401	316
16	Shaft with Coupling	Stainless Steel Sintered Steel	1.4401	316
18	Cable Guard	Stainless Steel	1.4401	316
18a-b	Cable Guard Screws	Stainless Steel	1.4401	316
30	Pressure Equalization Cone	PVDF		
39	Valve Spring	Stainless Steel	1.4406	316LN
55	Pump Sleeve	Stainless Steel	1.4401	316
70	Valve Guide	PVDF		
64	Priming Screw	PVDF		
86	Lip Seal Ring	FPM Rubber		



REDI-FLO3 SQE-NE PUMP MOTOR

Pos.	Component	Material	DIN W. Nr.	AISI
1	Stator	Stainless Steel	1.4401	316
2	Rotor	Stainless Steel	1.4401	316
2a	Stop Ring	PP		
2b	Filter	Polyester		
3	Thrust Bearing	Carbon		
5	Radial Bearing	Ceramic/ Tungsten Carbide		
20	Motor Cable with Plug	Tefzel PVDF		
22a	Filling Plug	FPM Rubber		
24	O-Ring	FPM Rubber		
24a	O-Ring	FPM Rubber		
25	Top Cover	PPS		
27	Filter	Polyester		
32	Shaft Seal	FPM Rubber		
	Motor Liquid	SML-2		

