

Components



Sensor with Electronics or Blind Housing, depending on options ordered.



Tee, Saddle, or Weldolet, including U-clips—will vary depending on model.

Recommended Tools

Recommended:

- Pipe drill or hole cutting saw
- 5/32" allen wrench
- Crescent Wrench

Optional:

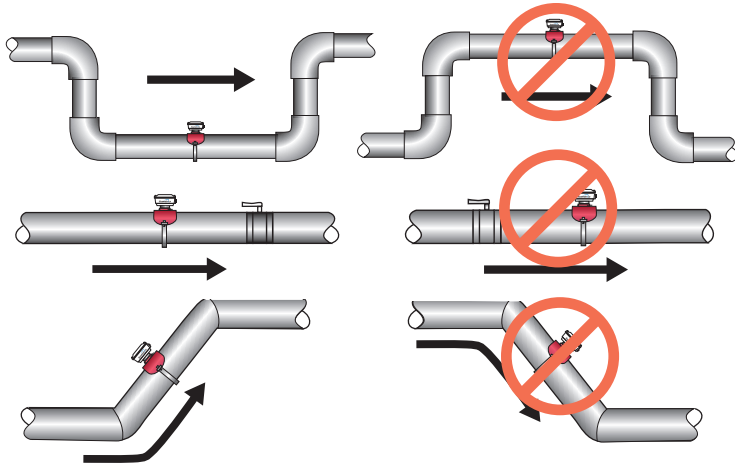
- Channel locks

Warnings *Refer to instruction manual for further details.*

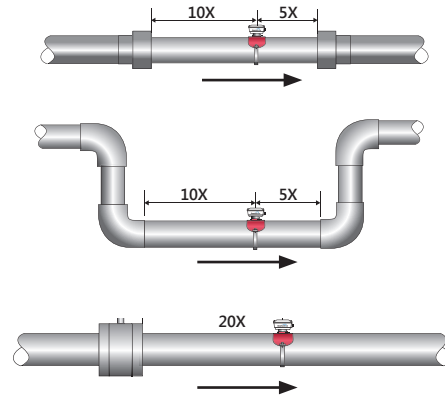
- This meter is sensitive to heat. Do not weld or flame cut within 10' of meter. Heat will damage electronics. (Heat will void warranty.)
- Never remove the U-clip retainer when the pipe is under pressure. Removal under pressure may result in damage or serious injury.
- Not recommended for installation downstream of a boiler feedwater pump where installation fault may expose the flow sensor to boiler pressure and temperature. Maximum recommended temperature is 130°F (Plastic), 200°F (Metal).
- Improper sealing of cables or cable glands will void warranty.
- The EX800 has a strong start and run current. When using solar panels and VRSLA batteries as a power source, use caution to insure the EX-Series sensor has the -50 Low-power Option and that all Seametrics products on the power circuit receive sufficient voltage and current under all conditions. Failure to do so will lead to unreliable operation and possible damage to the unit(s).

Positioning

Choose a position that will ensure a full pipe.

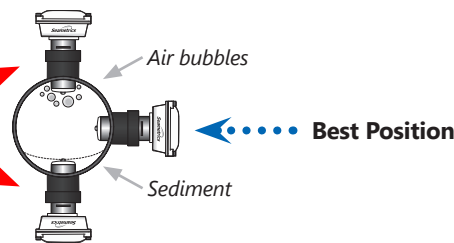


Choose a position that will minimize flow distortion.



Fair — Unacceptable if pipe contains air

Fair — Unacceptable if pipe contains sediment



Installation & Grounding

Fitting Installation

- **Tee Fitting:** Install PVC fitting with solvent cement. Brass and stainless steel fittings have female pipe threads.
- **Saddle Fitting:** Cut hole in pipe at desired location—recommended size is 1 3/4". Strap saddle on pipe, aligning over hole, and tighten straps.
- **Weldolette Fitting:** Cut hole in pipe at desired location—recommended size is 1 3/4". Weld fitting over hole.

Meter Installation

- Note direction of flow and press meter into fitting as far as it will go.
- Insert retaining clip (U-clip) into retaining slot, sliding it in securely.

Retaining clip

Retaining slot



Grounding

For **metal pipe**, connect grounding wire from one of the housing screws to a grounding clamp on the pipe and to a good earth ground.

For **plastic pipe**, connect grounding wire from one of the housing screws to a good earth ground.

