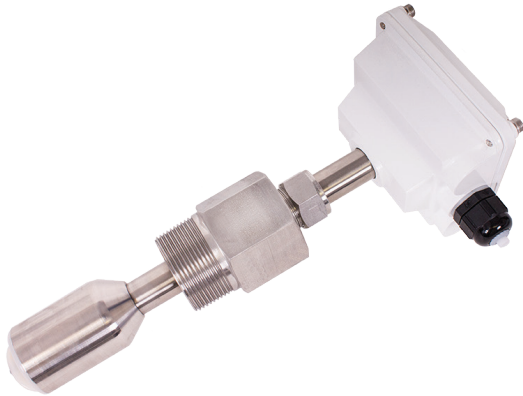


Components



Sensor with Electronics or Blind Housing, depending on options ordered.



Seametrics supplied saddle or user supplied saddle or weldolet with 1.5" female pipe threads

Recommended Tools

Recommended:

- Pipe drill or hole cutting saw
- 5/32" allen wrench
- Crescent Wrench

Optional:

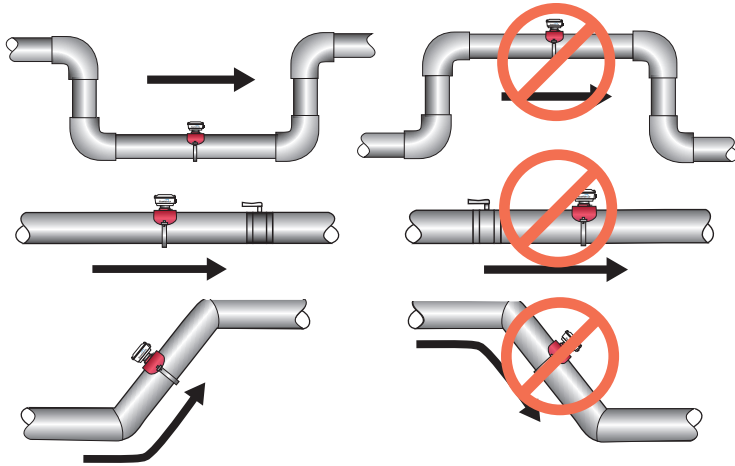
- Channel locks

Warnings *Refer to instruction manual for further details.*

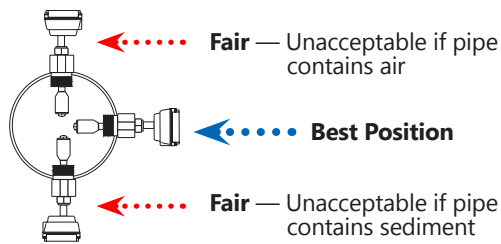
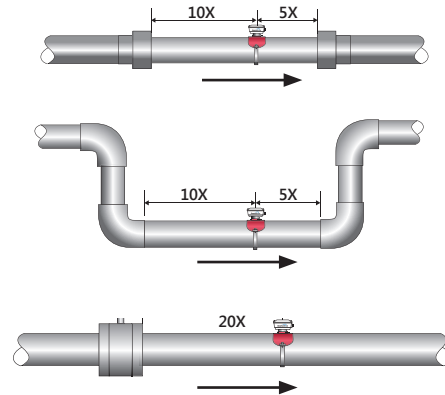
- This meter is sensitive to heat. Do not weld or flame cut within 10' of meter. Heat will damage electronics. (Heat will void warranty.)
- Never attempt to remove a flow sensor when there is pressure in the pipe unless it is specifically designed for hot tap installation and removal. Loosen the compression nut slowly to release any trapped pressure. If fluid sprays out when removing the sensor, stop turning and depressurize the pipe. Failure to do so could result in the sensor being thrown from the pipe, resulting in damage or serious injury.
- Improper sealing of cables or cable glands will void warranty.
- Not recommended for installation downstream of a boiler feedwater pump where installation fault may expose the flow sensor to boiler pressure and temperature. Maximum recommended temperature is 130°F (Plastic), 200°F (Metal).
- The EX11x/21x has a strong start and run current. When using solar panels and VRSLA batteries as a power source, use caution to insure the EX-Series sensor has the -50 Low-power Option and that all Seametrics products on the power circuit receive sufficient voltage and current under all conditions. Failure to do so will lead to unreliable operation and possible damage to the unit(s).

Positioning & Grounding

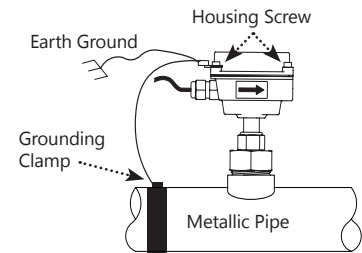
Choose a position that will ensure a full pipe.



Choose a position that will minimize flow distortion.



Connect grounding wire from one of the housing screws or the shaft of meter to a good earth ground. If the pipe is metal, also connect the grounding wire to a grounding clamp on the pipe.



Installation

Fitting Installation

- Cut hole in pipe at desired location—recommended size is 1 3/4".
- Measure and write down the wall thickness.
- Strap saddle on pipe or weld the weldolet to the pipe, aligning over hole.

Determine Proper Depth and K-Factor

- Run the **K-factor Calculator**, located at the bottom of the seametrics.com web site to obtain Depth Setting "D" and the K-factor.

Meter Installation

- Loosen compression nut so adapter shaft slides freely. Pull meter fully upward and finger tighten compression nut.
- Install the adapter in the pipe fitting, using a thread sealant.

- Reinstall the sensor unit, being sure flow is in the direction of the arrow on the housing.
- Loosen compression nut and lower meter to appropriate depth "D", which was obtained using the K-factor calculator.
- Fully tighten compression nut.

