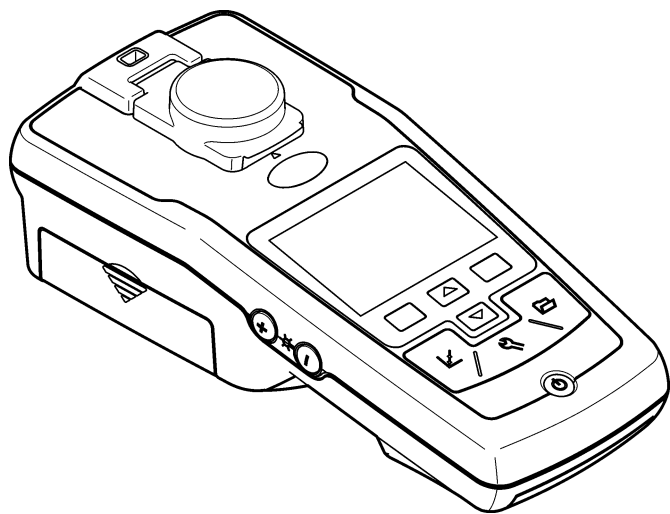




DOC022.97.80041

# 2100Q and 2100Q<sup>is</sup>

01/2010, Edition 1



**Basic User Manual**  
**Manuel d'utilisation de base**  
**Manual básico del usuario**  
**Manual básico do usuário**  
基本用户手册  
基本ユーザー マニュアル  
기본 사용 설명서

English ..... 3  
Français ..... 16  
Español ..... 30  
Português ..... 44  
中文 ..... 58  
日本語 ..... 70  
한글 ..... 83

## Specifications

Specifications are subject to change without notice.

Specification	Details
Measurement method	Ratio turbidimetric determination using a primary nephelometric light scatter signal (90°) to the transmitted light scatter signal.
Regulatory	<b>2100Q:</b> Meets EPA Method 180.1 <b>2100Qis:</b> Meets ISO 7027
Lamp source	<b>2100Q:</b> Tungsten filament lamp <b>2100Qis:</b> Light-emitting diode (LED) at 860 nm
Range	0–1000 NTU (FNU)
Accuracy	±2% of reading plus stray light from 0–1000 NTU (FNU)
Repeatability	±1% of reading or 0.01 NTU (FNU), whichever is greater
Resolution	0.01 NTU on lowest range
Stray light	≤ 0.02 NTU (FNU)
Signal averaging	Selectable on or off
Detector	Silicon Photodiode
Reading modes	Normal (Push to Read), Signal Averaging or Rapidly Settling Turbidity™
Calibration options	Single step RapidCal™ for Low-Level Regulatory Reporting from 0–40 NTU (FNU) Full range calibration from 0–1000 NTU (FNU) Calibration to degrees of turbidity
Calibration logger	Records the last 25 successful calibrations
Verification logger	Logs the last 250 successful verifications
Data logger	500 records

Specification	Details
Power requirement	AC 100–240 V , 50/60 Hz (with power or USB/power module) 4 AA alkaline batteries Rechargeable NiMH (for use with USB/power module)
Operating conditions	Temperature: 0 to 50 °C (32 to 122 °F) Relative Humidity: 0–90% at 30 °C, 0–80% at 40 °C, 0–70% at 50 °C, noncondensing
Storage conditions	–40 to 60 °C (–40 to 140 °F), instrument only
Interface	Optional USB
Sample required	15 mL (0.5 oz.)
Sample cells	Round cells 60 x 25 mm (2.36 x 1 in.) borosilicate glass with screw caps
Dimensions	22.9 x 10.7 x 7.7 cm (9.0 x 4.2 x 3.0 in.)
Weight	530 g (1.17 lb) without batteries 620 g (1.37 lb) with four AA alkaline batteries
Meter enclosure rating	IP67 (closed lid, battery and module compartment excluded)
Protection class	Power supply: Class II
Certification	CE certified
Warranty	1 year (EU: 2 years)

## General Information


In no event will the manufacturer be liable for direct, indirect, special, incidental or consequential damages resulting from any defect or omission in this manual. The manufacturer reserves the right to make changes in this manual and the products it describes at any time, without notice or obligation. Revised editions are found on the manufacturer's website.


## Safety information


Please read this entire manual before unpacking, setting up or operating this equipment. Pay attention to all danger and caution statements. Failure to do so could result in serious injury to the operator or damage to the equipment.

Make sure that the protection provided by this equipment is not impaired, do not use or install this equipment in any manner other than that specified in this manual.

## Use of hazard information

 <b>DANGER</b>
Indicates a potentially or imminently hazardous situation which, if not avoided, will result in death or serious injury.


 <b>WARNING</b>
Indicates a potentially or imminently hazardous situation which, if not avoided, could result in death or serious injury.



 <b>CAUTION</b>
Indicates a potentially hazardous situation that may result in minor or moderate injury.

<b>NOTICE</b>
Indicates a situation which, if not avoided, may cause damage to the instrument. Information that requires special emphasis.

## Precautionary labels

Read all labels and tags attached to the instrument. Personal injury or damage to the instrument could occur if not observed. A symbol, if noted on the instrument, will be included with a danger or caution statement in the manual.

	This is the safety alert symbol. Obey all safety messages that follow this symbol to avoid potential injury. If on the instrument, refer to the instruction manual for operation or safety information.
--	---

	This symbol indicates that a risk of electrical shock and/or electrocution exists.
	Electrical equipment marked with this symbol may not be disposed of in European public disposal systems after 12 August of 2005. In conformity with European local and national regulations (EU Directive 2002/96/EC), European electrical equipment users must now return old or end-of-life equipment to the Producer for disposal at no charge to the user. <i>Note: For return for recycling, please contact the equipment producer or supplier for instructions on how to return end-of-life equipment, producer-supplied electrical accessories, and all auxiliary items for proper disposal.</i>

## Certification

### Canadian Radio Interference-Causing Equipment Regulation, IECS-003, Class A:

Supporting test records reside with the manufacturer.

This Class A digital apparatus meets all requirements of the Canadian Interference-Causing Equipment Regulations.

Cet appareil numérique de la classe A respecte toutes les exigences du Règlement sur le matériel brouilleur du Canada.

### FCC Part 15, Class "A" Limits

Supporting test records reside with the manufacturer. The device complies with Part 15 of the FCC Rules. Operation is subject to the following conditions:

1. The equipment may not cause harmful interference.
2. The equipment must accept any interference received, including interference that may cause undesired operation.

Changes or modifications to this equipment not expressly approved by the party responsible for compliance could void the user's authority to operate the equipment. This equipment has been tested and found to comply with the limits for a Class A digital device, pursuant to Part 15 of the FCC rules. These limits are designed to provide reasonable protection against harmful interference when the equipment is operated in a commercial

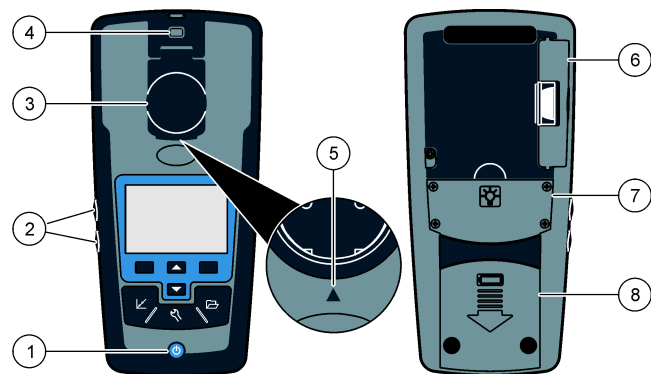
environment. This equipment generates, uses and can radiate radio frequency energy and, if not installed and used in accordance with the instruction manual, may cause harmful interference to radio communications. Operation of this equipment in a residential area is likely to cause harmful interference, in which case the user will be required to correct the interference at their expense. The following techniques can be used to reduce interference problems:

1. Disconnect the equipment from its power source to verify that it is or is not the source of the interference.
2. If the equipment is connected to the same outlet as the device experiencing interference, connect the equipment to a different outlet.
3. Move the equipment away from the device receiving the interference.
4. Reposition the receiving antenna for the device receiving the interference.
5. Try combinations of the above.

### Product overview

The 2100Q and 2100Q*s* portable turbidimeters measure turbidity from 0 to 1000 NTU (FNU). Primarily for field use, the portable meter operates on four AA batteries. Data can be stored and transferred to a printer, computer or USB storage device.

**Figure 1 Product overview**

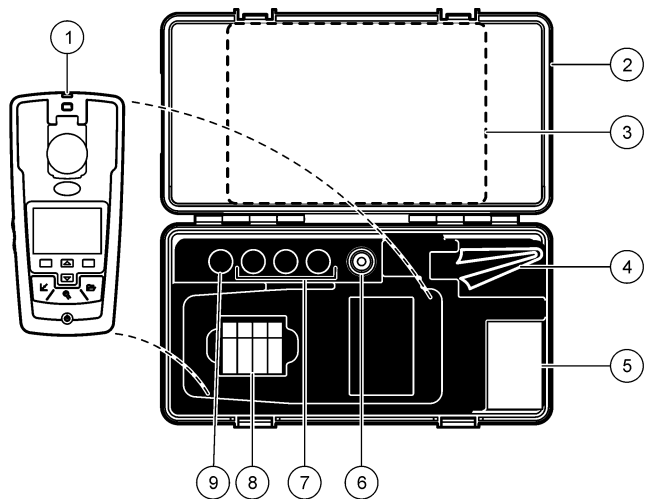


1 Power on or off	5 Alignment arrow
2 Backlight keys (+ and -)	6 Module
3 Sample cell holder with lid	7 Lamp compartment
4 Attachment for lanyard	8 Battery compartment

### Product components

Refer to [Figure 2](#) to make sure that all components have been received. If any of these items are missing or damaged, contact the manufacturer or a sales representative immediately.

Figure 2 2100Q and 2100Q*i*s components



1 2100Q or 2100Q <i>i</i> s turbidimeter	6 Silicone oil
2 Carrying case	7 20, 100 and 800 NTU StabCal calibration standards
3 User manual, Quick reference guide and CD-ROM	8 AA alkaline batteries (pk/4)
4 Oiling cloth	9 StabCal 10 NTU verification standard
5 1" sample cell (10 mL) with cap (pk/6)	

## Installation

### ⚠ CAUTION

Personal injury hazard. Only qualified personnel should conduct the tasks described in this section of the manual.

## Install the battery

### ⚠ WARNING

Potential fire hazard. Use only alkaline or nickel metal hydride batteries (NiMH) in the meter. Other battery types or incorrect installation can cause a fire. Never mix battery types in the meter.

### NOTICE

The battery compartment is not waterproof. If the battery compartment becomes wet, remove and dry the batteries and thoroughly dry the interior of the compartment. Check the battery contacts for corrosion and clean them if necessary.

### NOTICE

When using nickel metal hydride (NiMH) batteries, the battery icon will not indicate a full charge after freshly charged batteries have been inserted (NiMH batteries are 1.2 V versus 1.5 V for alkaline batteries). Even though the icon does not indicate complete charge, 2500 mAh NiMH batteries will achieve 90% of instrument operation lifetime (before recharge) versus new alkaline batteries.

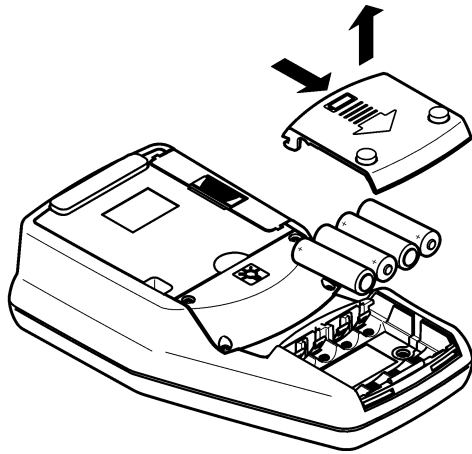
The meter can be powered with AA alkaline or rechargeable NiMH batteries. To conserve battery life, the meter will power off after 10 minutes of inactivity, the backlight powers off after 30 seconds. This time can be changed in the Power Management menu.

**Note:** Rechargeable batteries will only be recharged with the USB/power module. Refer to the module documentation for further information.

For battery installation refer to [Figure 3](#).

1. Remove the battery cover.
2. Install 4 AA alkaline or 4 AA nickel metal hydride (NiMH) batteries. Make sure that the batteries are installed in the correct orientation.
3. Replace the battery cover.

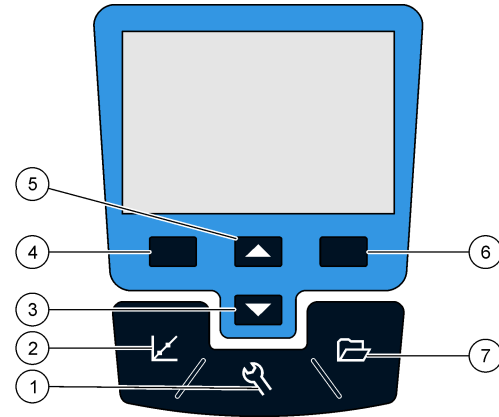
Figure 3 Battery installation



## User interface and navigation

### User interface

Figure 4 Keypad description

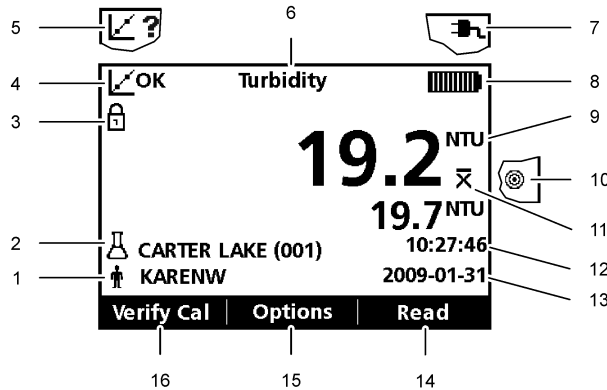


1 <b>SETTINGS</b> key: select menu options for setting up the meter	5 <b>UP</b> key: scroll through menus, enter numbers and letters
2 <b>CALIBRATION</b> key: shows calibration screen, start calibration, select cal options	6 <b>RIGHT</b> key (contextual): read turbidity sample, selects or confirms options, opens/jumps to sub-menus
3 <b>DOWN</b> key: scroll through menus, enter numbers and letters	7 <b>DATA MANAGEMENT</b> key: view, delete or transfer stored data
4 <b>LEFT</b> key (contextual): access for calibration verification, cancels or exits the current menu screen to the previous menu screen	

## Display description

The measurement screen shows the turbidity, unit, calibration status, date and time, operator ID (if setup) and sample ID (if setup). Refer to [Figure 5](#).

Figure 5 Single screen display



1 Operator identification	9 NTU (Nephelometric Turbidity Unit) or FNU (Formazin Turbidity Unit)
2 Sample identification	10 Reading mode: Rapidly Settling Turbidity (Target icon)
3 Stability or display lock indicator	11 Reading mode: Signal Average (X-bar icon)
4 Calibration status indicator (Calibration OK=pass)	12 Time
5 Calibration status indicator (Calibration ?=fail)	13 Date
6 Parameter title	14 Read (contextual: OK, Select)
7 AC power icon	15 Options (contextual)
8 Battery icon	16 Verification calibration

## Navigation


The meter contains a Settings menu, Reading Options menu, Calibration Options menu and Calibration Verification Options menu to change various options. Use the **UP** and **DOWN** keys to highlight different options. Push the **RIGHT** key to select an option. There are two ways to change options:

1. Select an option from a list: Use the **UP** and **DOWN** keys to select an option. If check boxes are shown, more than one option can be selected. Push the **LEFT** key under Select.
 

*Note: To deselect check boxes, push the **LEFT** key under Deselect.*
2. Enter an option value using the arrow keys: Push the **UP** and **DOWN** keys to enter or change a value.
3. Push the **RIGHT** key to advance to the next space.
4. Push the **RIGHT** key under **OK** to accept the value.

## Start-up

### Turn the meter on and off

 Push the **ON/OFF** key to turn on or turn off the meter. If the meter does not turn on, make sure that the batteries, or the module, are properly installed or that the AC power supply is properly connected to an electrical outlet.

*Note: The Auto-Shutoff option can also be used to turn off the meter. For additional information, refer to the CD for an expanded version of this manual.*

### Change the language

There are three options to set the language:

- The display language is selected when the meter is powered on for the first time.
- The display language is selected when the power key is pushed and held.
- The language can be changed from the Settings menu.

1. Select a language from the list. Confirm with **OK**.
2. Push **Done** when the update is complete.



## Change the date and time

The date and time can be changed from the Date & Time menu.

1. Push the **SETTINGS** key and select Date & Time.
2. Update the time and date information:

Option	Description
<b>Format</b>	Select one of the formats for the date and time: yyyy-mm-dd 24h yyyy-mm-dd 12h dd-mm-yyyy 24h dd-mm-yyyy 12h mm/dd/yyyy 24h mm/dd/yyyy 12h
<b>Date</b>	Enter the current date
<b>Time</b>	Enter the current time

The current date and time will be shown on the display.

After the date and time setup, the meter is ready to take a reading.

## Standard operations

### Use a sample ID

The sample ID tag is used to associate readings with a particular sample location. If assigned, stored data will include this ID.

1. Select **Sample ID** in the Settings menu.
2. Select, create or delete a sample ID:

Option	Description
<b>Current ID</b>	Select an ID from a list. The current ID will be associated with sample data until a different ID is selected.

Option	Description
<b>Create a New Sample ID</b>	Enter a name for a new sample ID.
<b>Delete Sample ID</b>	Delete an existing sample ID.

### Use an operator ID

The operator ID tag associates readings with an individual operator. All stored data will include this ID.

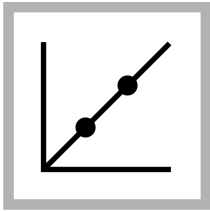
1. Select **Operator ID** in the Settings menu.
2. Select, create or delete an operator ID:

Option	Description
<b>Current ID</b>	Select an ID from a list. The current ID will be associated with sample data until a different ID is selected.
<b>Create a New Operator ID</b>	Enter a name for a new operator ID (maximum 10 names can be entered).
<b>Delete Operator ID</b>	Delete an existing operator ID.

## Advanced operations

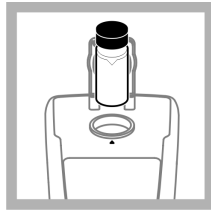
### Calibrate the turbidimeter with StabiCal® Standards

*Note: For best accuracy use the same sample cell or four matched sample cells for all readings during calibration. Insert the sample cell in the instrument cell compartment so the diamond or orientation mark aligns with the raised orientation mark in front of the cell compartment.*

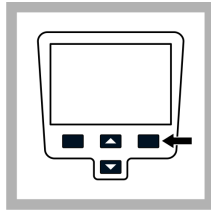


1. Push the **CALIBRATION** key to enter the Calibration mode. Follow the instructions on the display.

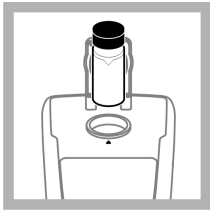
**Note:** Gently invert each standard before inserting the standard.



2. Insert the 20 NTU StablCal Standard and close the lid.  
**Note:** The standard to be inserted is bordered.

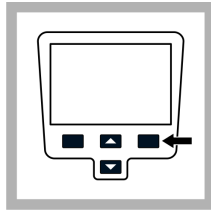


3. Push **Read**. The display shows Stabilizing and then shows the result.

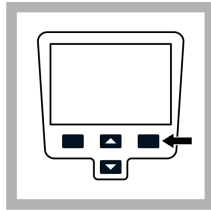


4. Repeat Step 2 and 3 with the 100 NTU and 800 NTU StablCal Standard.

**Note:** Push **Done** to complete a 2 point calibration.





5. Push **Done** to review the calibration details.



6. Push **Store** to save the results. After a calibration is complete, the meter automatically goes into the Verify Cal mode. For additional information, refer to the CD for an expanded version of this manual.

## Reading modes

1. Push the **UP** or **DOWN** key to enter the Reading Options menu.
2. Select Reading Mode to select one of the following options:

Option	Description
<b>Normal (Default setting)</b>	The normal mode reads and averages three readings. The result is shown after the reading.
<b>Signal Average</b> 	The Signal Average mode compensates for reading fluctuations caused by drifting of sample particles through the light path. The X-bar icon is shown on the display when signal averaging is on. The Signal Average mode measures 12 times and starts to show the average after three readings. The final result is the average of all 12 readings.
<b>Rapidly Settling Turbidity™ (RST)</b> 	The Rapidly Settling Turbidity (RST) mode calculates and continuously updates the turbidity reading of the sample to a confidence of 95%, based on the accumulated trend of the real time measured values. The RST mode is best used on samples that settle rapidly and continuously change in value. The reading is based on a correctly prepared sample that is homogeneous at the beginning of the reading. It is best applied to samples that are greater than 20 NTU. The sample must be mixed thoroughly by inversion immediately before inserting it into the meter. The target icon is shown on the display when the Rapidly Settling Turbidity is on. The Rapidly Settling Turbidity reads and calculates five readings while showing intermediate results.

## Maintenance

### CAUTION

Personal injury hazard. Only qualified personnel should conduct the tasks described in this section of the manual.

## Clean the meter

The meter is designed to be maintenance-free and does not require regular cleaning for normal operation. Exterior surfaces of the meter may be cleaned as necessary.

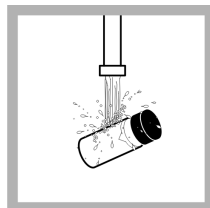
**Note:** Do not clean the meter with solvents to avoid damaging the material.

1. Clean the meter with a dust- and lint-free dry or slightly damp cloth. A mild soap solution can also be used for liposoluble contamination.

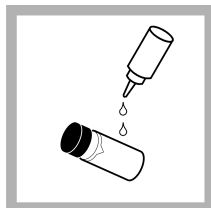
## Apply silicone oil to a sample cell

Sample cells and caps must be extremely clean and free from significant scratches. Apply a thin coating of silicone oil on the outside of the sample cells to mask minor imperfections and scratches that may contribute to light scattering.

**Note:** Use only the provided silicone oil. This silicone oil has the same refractive index as the sample cell glass.



1. Clean the inside and outside of the cells and caps by washing with a laboratory glass cleaning detergent. Follow with multiple rinses with distilled or demineralized water.



2. Apply a small bead of silicone oil from the top to the bottom of the cell.



3. Use the provided oiling cloth to spread the oil uniformly. Wipe off the excess so that only a thin coat of oil is left. Make sure that the sample cell is almost dry with little or no visible oil.  
**Note:** Store the oiling cloth in a plastic storage bag to keep the cloth clean.

## Store the sample cells

### NOTICE

Do not air dry the sample cells.

**Note:** Always store the sample cells with caps on to prevent the cells from drying.

1. Fill the sample cells with distilled or demineralized water.
2. Cap and store the sample cells.
3. Wipe the outside of the sample cells dry with the a soft cloth.

## Replace the battery

### ⚠ WARNING

Potential fire hazard. Use only alkaline or nickel metal hydride batteries (NiMH) in the meter. Other battery types or incorrect installation can cause a fire. Never mix battery types in the meter.

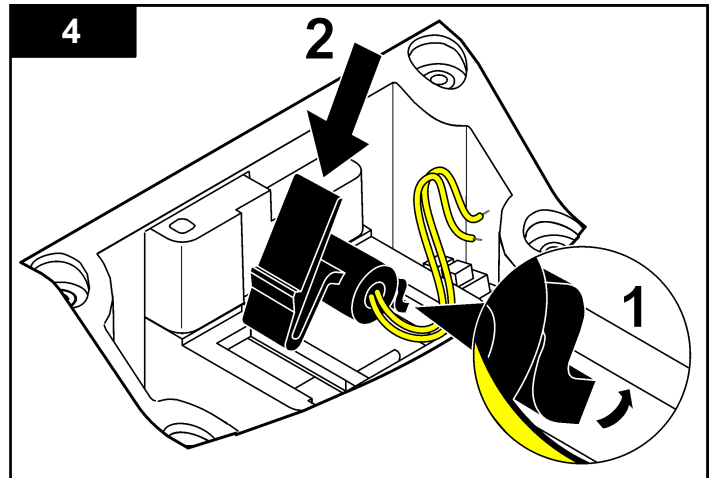
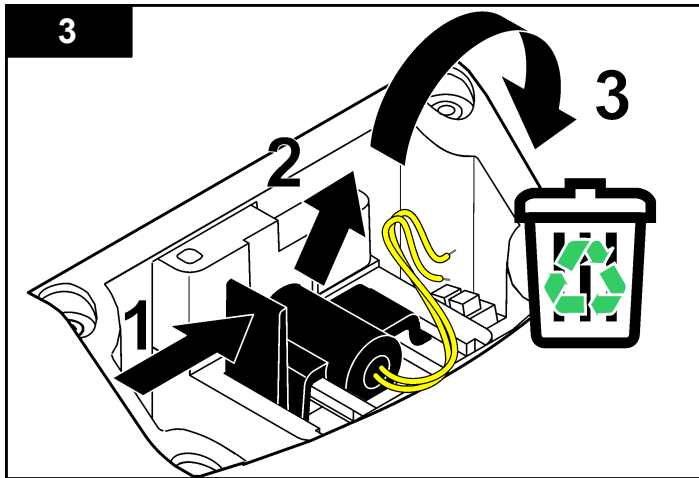
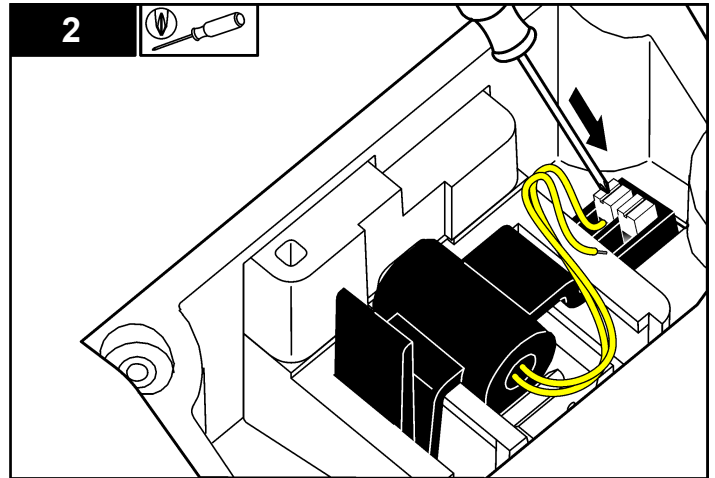
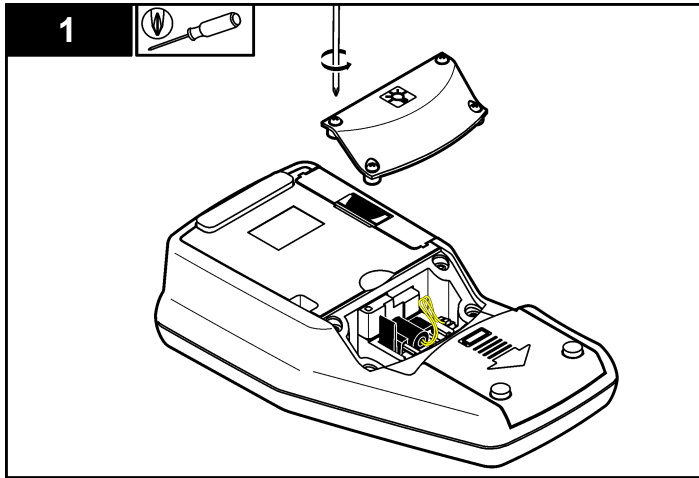
For battery replacement refer to [Figure 3](#) on page 7.

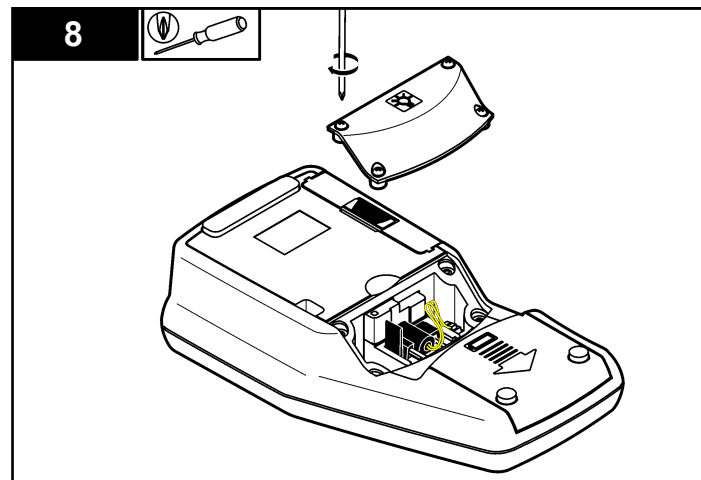
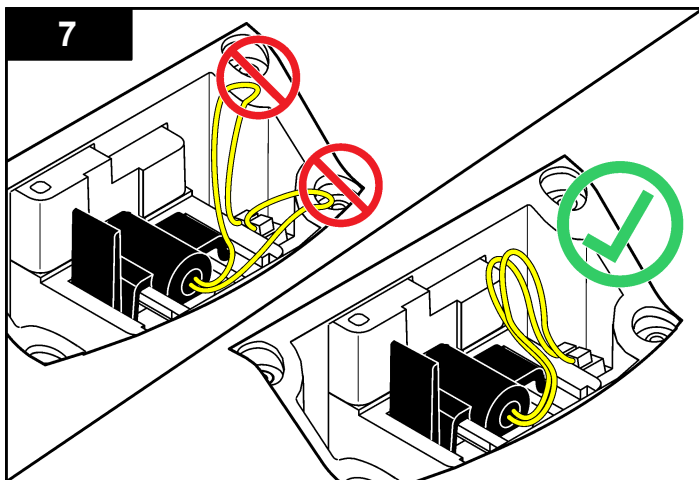
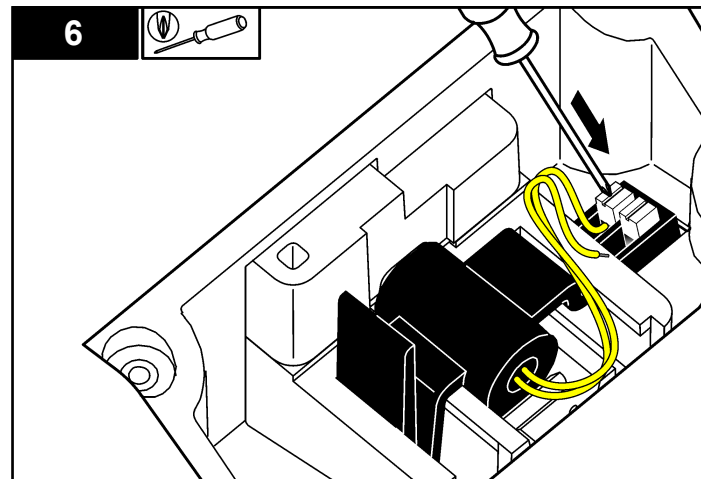
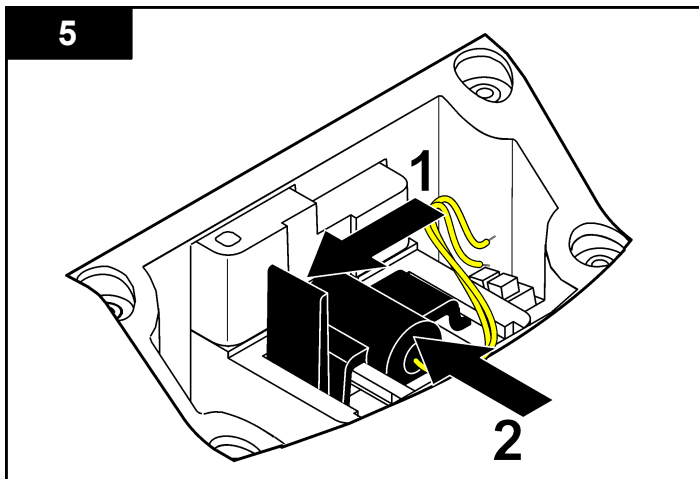
1. Remove the battery cover.
2. Remove the batteries.
3. Install 4 AA alkaline or 4 AA nickel metal hydride (NiMH) batteries. Make sure that the batteries are installed in the correct orientation.
4. Replace the battery cover.

## Replace the lamp

### ⚠ CAUTION

Burn Hazard. Wait until lamp cools down. Contact with the hot lamp can cause burns.





## Troubleshooting

Refer to the following table for common problem messages or symptoms, possible causes and corrective actions.

Error/Warning	Description	Solution
<b>Close lid and push Read.</b>	The lid is open or lid detection failed.	Make sure that the lid is closed during reading and re-read.
<b>Low Battery!</b>	Battery is low.	<ul style="list-style-type: none"> <li>• Insert new batteries</li> <li>• Connect USB/power module if rechargeable batteries are used</li> </ul>
<b>ADC Failure!</b>	Hardware error causing reading to fail.	Repeat the reading.
<b>Detector signal too low!</b>	Insufficient light on the 180° detector.	<ul style="list-style-type: none"> <li>• Check for obstructed light path.</li> <li>• Check the lamp.</li> </ul>
<b>Overrange!</b>	Turbidity too high- caused probably by calibrating with RapidCal™ only.	<ul style="list-style-type: none"> <li>• Calibrate the upper range.</li> <li>• Dilute the sample.</li> </ul>
<b>Underrange!</b>	The measured absorbance is below the calibration range.	Repeat calibration
<b>Please check the lamp!</b>	Signals are too low on the 90° and 180° detector.	<p><b>2100Q:</b> The lamp is defective. Change the lamp (refer to <a href="#">Replace the lamp</a> on page 11).</p> <p><b>2100Qis:</b> Contact technical support.</p>
<b>Temperature too high! Switch off instrument.</b>	Temperature has exceeded the meter limits (>60 °C or >140 °F).	Turn off the meter and let it cool down.

Error/Warning	Description	Solution
<b>RST: Average value!</b>	Solids are settling too slowly. The reading mode is not suitable for this sample.	Select Normal or Signal Average reading mode.
<b>Confidence level is &lt; 95%</b>	The reading mode Rapidly Settling Turbidity did not meet the range of $\geq 95\%$ confidence.	<ul style="list-style-type: none"> <li>• Invert the sample several times so that the solids allocate. Repeat the reading again.</li> <li>• Switch to the Normal reading mode if the sample is stable and does not have settable solids.</li> </ul>
<b>Standard value out of range. Insert standard and push Read</b>	Used incorrect standard value for the reading.	Insert the appropriate standard and read again.
<b>ID already in use. Enter new ID</b>	The Operator or Sample ID is unavailable as it is already assigned.	Create a new ID.
<b>Error - Security Please set password before activating security</b>	No password is created.	Create a new password.
<b>Please enter at least one character.</b>	Password must contain minimum of one character.	Create a password of at least one character.
<b>Password incorrect. Please retry.</b>	Incorrect password was entered.	Enter the appropriate password.
<b>Please disconnect the USB cable from your computer.</b>	Data storage does not respond while connected to the meter and the computer.	Disconnect the USB cable from the meter and try sending data again.

Error/Warning	Description	Solution
<b>USB module memory full. Delete data and try again.</b>	Data storage is full.	<ol style="list-style-type: none"> <li>1. Connect USB/power module to the computer.</li> <li>2. Download the stored data to the computer.</li> <li>3. Delete Data Log on the module.</li> </ol>
<b>Delete Last Reading Failed!</b>	Error in the data storage.	Turn the meter off and on. If the error message still occurs, contact technical support.
<b>Delete Data Log failed!</b>		
<b>Can't read data set!</b>		
<b>Can't store data!</b>		
<b>Can't store to the Reading Log!</b>		
<b>Can't store to the Verify Cal Log!</b>		
<b>Error storing data!</b>		
<b>Error reading data!</b>		

## Caractéristiques techniques

Les caractéristiques techniques peuvent être modifiées sans préavis.

Caractéristiques	Détails
Méthode de mesure	Détermination du rapport de turbidité par un signal de dispersion de lumière néphélométrique primaire (90°) par rapport à un signal de diffusion de lumière transmise.
Réglementation	<b>2100Q</b> : Conforme à la méthode EPA 180.1 <b>2100Qis</b> : Conforme à la norme ISO 7027
Lampe source	<b>2100Q</b> : Lampe à filament de tungstène <b>2100Qis</b> : Diode émettrice de lumière (LED) à 860 nm
Plage de mesures	0–1000 NTU (FNU)
Précision	±2% de la mesure plus lumière parasite de 0–1000 NTU (FNU)
Répétabilité	± 1 % de la mesure ou 0,01 NTU (FNU), valeur la plus grande
Résolution	0,01 NTU sur la gamme la plus basse
Lumière parasite	≤ 0,02 NTU (FNU)
Moyenne pondérée du signal	Activer ou désactiver au choix
Détecteur	Photodiode au silicium
Modes de mesure	Normal (Appuyer pour mesurer), Moyenne du signal ou Rapidly Settling Turbidity™
Options d'étalonnage	RapidCal™ en une étape pour mesure réglementaire de bas niveau de 0 à 40 NTU (FNU) Étalonnage sur toute la gamme de 0 à 1000 NTU (FNU) Étalonnage par rapport à des degrés de turbidité
Enregistreur d'étalonnage	Enregistre les 25 derniers étalonnages réussis

Caractéristiques	Détails
Enregistreur de vérification	Enregistre les 250 dernières vérifications réussies
Enregistreur des données	500 enregistrements
Exigences électriques	100–240 V CA, 50/60 Hz (avec module d'alimentation ou USB/alimentation) 4 piles alcalines AA NiMH rechargeables (pour utilisation avec le module USB/alimentation)
Conditions de fonctionnement	Température : 0 à 50 °C (32 à 122 °F) Humidité relative : 0–90% à 30 °C, 0–80% à 40 °C, 0–70% à 50 °C, sans condensation
Conditions de stockage	–40 à 60 °C (–40 à 140 °F), instrument seulement
Interface	USB en option
Échantillon nécessaire	15 mL (0,5 oz.)
Cuves d'échantillon	Cuves rondes 60 x 25 cm (2,36 x 1 po) verre au borosilicate avec bouchon à vis
Dimensions	22,9 x 10,7 x 7,7 cm (9,0 x 4,2 x 3,0 pouces)
Poids	530 g (1,17 lb) sans piles 620 g (1,37 lb) avec quatre piles alcalines AA
Classement du boîtier de l'appareil	IP67 (capot fermé, à l'exclusion du compartiment des piles et du module)
Classe de protection	Alimentation électrique : classe II
Certification	Certifié CE
Garantie	1 an (EU: 2 ans)



## Généralités

En aucun cas le constructeur ne saurait être responsable des dommages directs, indirects, spéciaux, accessoires ou consécutifs résultant d'un défaut ou d'une omission dans ce manuel. Le constructeur se réserve le droit d'apporter des modifications à ce manuel et aux produits décrits à tout moment, sans avertissement ni obligation. Les éditions révisées se trouvent sur le site Internet du fabricant.

## Consignes de sécurité

Veuillez lire l'ensemble du manuel avant le déballage, la configuration ou la mise en fonctionnement de cet appareil. Respectez toutes les déclarations de prudence et d'attention. Le non-respect de cette procédure peut conduire à des blessures graves de l'opérateur ou à des dégâts sur le matériel.

Assurez-vous que la protection fournie avec cet appareil ne soit pas compromise, n'utilisez pas ou n'installez pas cet appareil d'une autre façon que celle décrite dans ce manuel.

## Interprétation des indications de risques

### DANGER

Indique une situation de danger potentiel ou imminent qui, si elle n'est pas évitée, peut entraîner la mort ou des blessures graves.

### AVERTISSEMENT

Signale une situation potentiellement dangereuse ou un danger imminent, qui pourrait conduire à des blessures graves voire mortelles.

### ATTENTION

Indique une situation potentiellement dangereuse qui peut entraîner des blessures mineures ou modérées.




### AVIS

Indique une situation qui, si elle n'est pas évitée, peut provoquer des dommages à l'appareil. Informations nécessitant une mise en avant particulière.

## Étiquettes de mise en garde

Lire toutes les informations et toutes les étiquettes apposés sur l'appareil. Des personnes peuvent se blesser et le matériel peut être endommagé si

ces instructions ne sont pas respectées. Si un symbole "Danger" ou "Attention" se trouve sur l'instrument, une explication en est donnée dans le manuel.

	Ceci est le symbole d'alerte de sécurité. Se conformer à tous les messages de sécurité qui suivent ce symbole afin d'éviter des blessures potentielles. Si apposés sur l'instrument, se référer au manuel d'utilisation pour le fonctionnement ou les informations de sécurité.
	Ce symbole indique qu'il existe un risque de choc électrique et/ou d'électrocution.
	L'équipement électrique marqué de ce symbole ne devra pas être détruit dans les systèmes de destruction publics Européens après le 12 août 2005. En conformité avec les dispositions européennes locales et nationales (Directive EU 2002/96/CE), les utilisateurs européens d'équipements électriques doivent maintenant renvoyer au fabricant pour destruction les équipements anciens ou en fin de vie, sans frais pour l'utilisateur. <i>Remarque : Pour le retour à des fins de recyclage, veuillez contacter le fabricant ou le fournisseur d'équipement pour obtenir les instructions sur la façon de renvoyer l'équipement usagé, les accessoires électriques fournis par le fabricant, et tous les articles auxiliaires pour une mise au rebut appropriée.</i>

## Certification

### Règlement canadien sur les équipements causant des interférences radio, IECs-003, Classe A:

Les données d'essai correspondantes sont conservées chez le constructeur.

Cet appareil numérique de classe A respecte toutes les exigences du Règlement sur le matériel brouilleur du Canada.

Cet appareil numérique de classe A respecte toutes les exigences du Règlement sur le matériel brouilleur du Canada.

### FCC part 15, limites de classe A :

Les données d'essai correspondantes sont conservées chez le constructeur. L'appareil est conforme à la partie 15 de la réglementation FCC. Le fonctionnement est soumis aux conditions suivantes :

1. Cet équipement ne peut pas causer d'interférence nuisible.
2. Cet équipement doit accepter toutes les interférences reçues, y compris celles qui pourraient entraîner un fonctionnement inattendu.

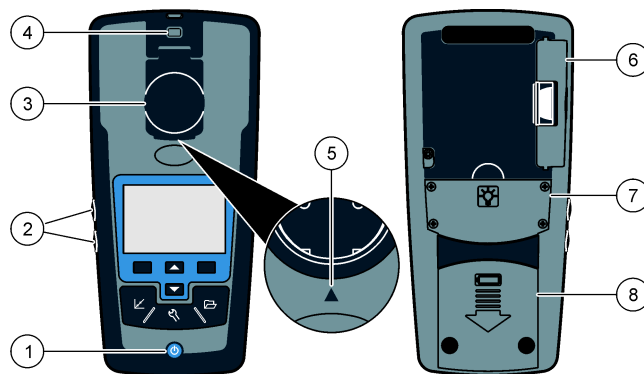
Les modifications de cet équipement qui n'ont pas été expressément approuvées par le responsable de la conformité aux limites pourraient annuler l'autorité dont l'utilisateur dispose pour utiliser cet équipement. Cet équipement a été testé et déclaré conforme aux limites définies pour les appareils numériques de classe A, conformément à la section 15 de la réglementation FCC. Ces limites ont pour but de fournir une protection raisonnable contre les interférences néfastes lorsque l'équipement fonctionne dans un environnement commercial. Cet équipement génère, utilise et peut irradier l'énergie des fréquences radio et, s'il n'est pas installé ou utilisé conformément au mode d'emploi, il peut entraîner des interférences dangereuses pour les communications radio. Le fonctionnement de cet équipement dans une zone résidentielle risque de causer des interférences nuisibles, dans ce cas l'utilisateur doit corriger les interférences à ses frais. Les techniques ci-dessous peuvent permettre de réduire les problèmes d'interférences :

1. Débrancher l'équipement de la prise de courant pour vérifier s'il est ou non la source des perturbations
2. Si l'équipement est branché sur le même circuit de prises que l'appareil qui subit des interférences, branchez l'équipement sur un circuit différent.
3. Éloigner l'équipement du dispositif qui reçoit l'interférence.
4. Repositionner l'antenne de réception du périphérique qui reçoit les interférences.
5. Essayer plusieurs des techniques ci-dessus à la fois.

### Aperçu général du produit

Les turbidimètres portables 2100Q et 2100Q/s mesurent la turbidité de 0 à 1000 NTU (FNU). Essentiellement destinés à l'utilisation sur le terrain, ces appareils de mesure portables fonctionnent sur quatre piles AA. Les données peuvent être enregistrées et transférées vers une imprimante, un ordinateur ou un périphérique de stockage USB.

Figure 6 Aperçu général du produit

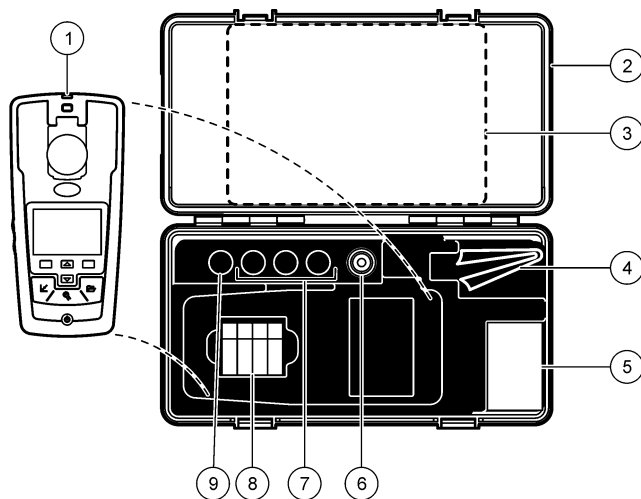


1 Allumage ou extinction	5 Flèche d'alignement
2 Touches de rétroéclairage (+ et -)	6 Module
3 Porte-cuve à échantillon avec couvercle	7 Compartiment de la lampe
4 Fixation pour la lumière	8 Compartiment à piles

### Composants du produit

Voir [Figure 7](#) pour vous assurer que tous les éléments ont bien été reçus. si un élément est absent ou endommagé, contactez immédiatement le fabricant ou un représentant.

Figure 7 Composant du 2100Q et 2100Qis



1 Turbidimètre 2100Q ou 2100Qis	6 Huile de silicone
2 Sacoche de transport	7 Étalons d'étalonnage StablCal 20, 100 et 800 NTU
3 Manuel d'utilisation, Guide de référence rapide et CD-ROM	8 Piles alcalines AA (lot de 4)
4 Chiffon de huilage	9 Étalon de vérification StablCal 10 NTU
5 1" cuve à échantillon (10 mL) avec bouchon (paquet de 6)	

## Installation

### ⚠ ATTENTION

Risque de blessures. Les opérations décrites dans cette section du manuel ne doivent être effectuées que par du personnel qualifié.

## Installation de la pile

### ⚠ AVERTISSEMENT

Risque d'incendie. N'utiliser que des piles alcalines ou nickel métal hybride (NiMH) dans l'appareil. Les autres types de piles ou une installation incorrecte pourraient causer un incendie. Ne jamais mélanger les types de piles dans l'appareil.

### AVIS

Le compartiment des piles n'est pas étanche à l'eau. Si le compartiment des piles est humide, retirer et sécher les piles et sécher soigneusement l'intérieur du compartiment. Rechercher des traces de corrosion sur les contacts des piles et les nettoyer si nécessaire.

### AVIS

En cas d'utilisation de piles rechargeables nickel métal hybride (NiMH), l'icône d'état des piles n'indique pas une charge complète après mise en place de piles venant d'être rechargées (les piles rechargeables NiMH ont une tension de 1,2 V, les piles alcalines de 1,5 V) Même si l'icône n'indique pas une charge complète, les piles rechargeables NiMH de 2500 mA H atteignent 90% de la durée de fonctionnement de l'instrument (avant recharge) comparée à des piles alcalines neuves

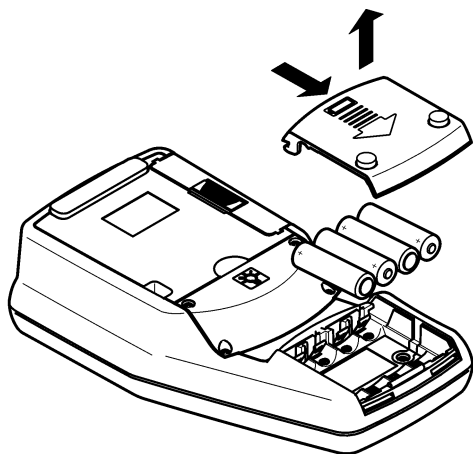
L'appareil peut être alimenté par des piles alcalines AA ou rechargeables NiMH. Pour économiser la pile, l'appareil s'éteint après 10 minutes d'inactivité, le rétroéclairage s'éteint après 30 secondes. Cette durée est modifiable dans le menu Gestion de l'alimentation.

**Remarque :** Les batteries rechargeables ne peuvent être rechargées qu'avec le module USB/alimentation. Consulter la documentation du module pour plus de détails.

Pour l'installation de la pile, consulter [Figure 8](#).

1. Déposer le capot des piles
2. Installer 4 piles alcalines AA ou 4 piles rechargeables nickel métal hybride (NiMH) AA. Vérifier que les piles sont installées dans le bon sens.
3. Reposer le capot des piles.

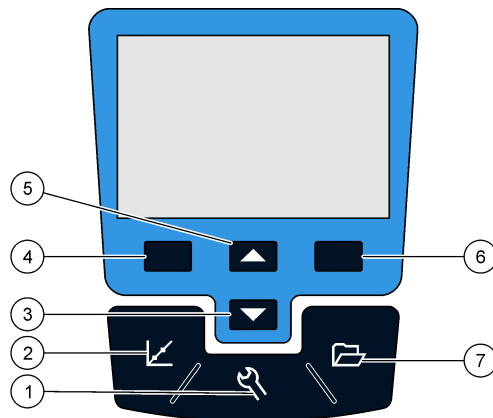
Figure 8 Installation des piles



## Interface utilisateur et navigation

### Interface utilisateur

Figure 9 Description du clavier

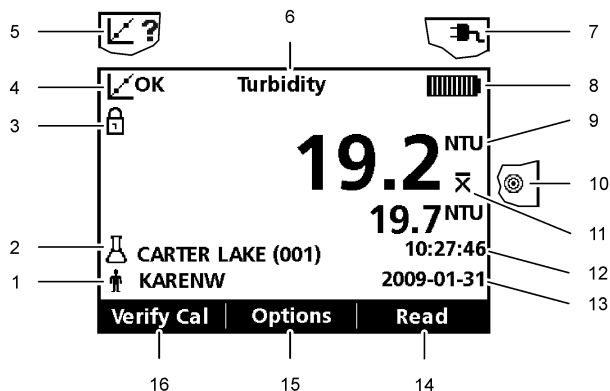


<p><b>1</b> Touche <b>PARAMETRES</b> : sélection des options de menu pour la configuration de l'appareil</p>	<p><b>5</b> Touche <b>HAUT</b> : fait défiler les menus, permet de saisir des nombres et lettres</p>
<p><b>2</b> Touche <b>ETALONNAGE</b> : affiche l'écran d'étalonnage, démarre l'étalonnage, sélectionne les options d'étalonnage</p>	<p><b>6</b> Touche <b>DROITE</b> (contextuel) : mesure de l'échantillon de turbidité, sélection ou confirmation d'options, ouverture/saut à des sous-menus</p>
<p><b>3</b> Touche <b>BAS</b> : fait défiler les menus, permet de saisir des nombres et lettres</p>	<p><b>7</b> Touche <b>GESTION DES DONNEES</b> : consultation, suppression ou transfert de données enregistrées</p>
<p><b>4</b> Touche <b>GAUCHE</b> (contextuel) : accès à la vérification d'étalonnage, annulation ou sortie de l'écran de menu en cours pour revenir à l'écran de menu précédent</p>	

## Description de l'affichage

L'écran de mesure affiche la turbidité, l'unité, l'état d'étalonnage, la date et l'heure, l'identification d'opérateur (si elle est définie) et l'identification de l'échantillon (si elle est définie). Voir [Figure 10](#).

Figure 10 Affichage sur écran unique



1	Identification d'opérateur	9	NTU (Nephelometric Turbidity Unit) ou FNU (Formazin Turbidity Unit)
2	Identification d'échantillon	10	Mode de mesure : Rapidly Settling Turbidity (icône cible)
3	Indicateur de stabilité ou de verrouillage d'affichage	11	Mode de mesure : Moyenne du signal (icône X-bar)
4	Indicateur d'état d'étalonnage (Étalonnage OK=correct)	12	Heure
5	Témoin d'état d'étalonnage (Étalonnage ?=échec)	13	Date
6	Titre du paramètre	14	Mesure (contextuel : OK, Sélection)
7	Icône d'alimentation secteur	15	Options (contextuel)
8	Icône de batterie	16	Étalonnage de vérification

## Navigation

L'appareil contient un menu Paramètres, un menu Options de mesure, un menu Options d'étalonnage et un menu Options de vérification d'étalonnage pour modifier les différentes options. Utilisez les touches **HAUT** et **BAS** pour sélectionner différentes options. Appuyer sur la touche **DROITE** pour sélectionner une option. Il y existe deux méthodes pour modifier les options :

1. Sélectionner une option dans la liste : Utiliser les touches **HAUT** et **BAS** pour sélectionner une option. Si des cases à cocher apparaissent, il est possible de sélectionner plus d'une option. Appuyer sur la touche **GAUCHE** sous Cocher.
 

*Remarque : Pour décocher les cases, appuyer sur la touche **GAUCHE** sous Décocher.*
2. Saisie d'une valeur d'option par les touches fléchées : Appuyer sur les touches **HAUT** et **BAS** pour saisir ou modifier une valeur.
3. Appuyer sur la touche **DROITE** pour avancer à l'emplacement suivant.
4. Appuyer sur la touche **DROITE** sous **OK** pour accepter la valeur.

## Démarrage

### Allumage et extinction de l'appareil de mesure

Appuyer sur la touche **ON/OFF** pour allumer ou éteindre l'appareil de mesure. Si l'appareil de mesure ne s'allume pas, assurez-vous que les piles ou le module sont bien installés ou que l'alimentation CA est bien branchée à une prise électrique.

*Remarque : L'option d'arrêt automatique peut aussi arrêter l'appareil. Pour plus d'informations, reportez-vous au CD qui contient la version enrichie de ce manuel.*

### Changement de langue

La langue peut être réglée de trois façon différente :

- La langue de l'affichage est sélectionnée au premier allumage de l'appareil.
- La langue d'affichage est sélectionnée en maintenant enfoncée la touche d'allumage.

- La langue est modifiable sur le menu Paramètres.

1. Sélectionner une langue dans la liste. Valider en appuyant sur **OK**.
2. Appuyer sur **Terminé** à l'achèvement de la mise à jour.

## Réglage de date et heure

La date et l'heure sont modifiables sur le menu Date et heure.

1. Appuyer sur la touche **PARAMETRES** et sélectionner Date et heure.
2. Mise à jour des informations de date et heure :

Options	Descriptions
<b>Format</b>	Sélectionner un des formats date et heure : aaaa-mm-jj 24h aaaa-mm-jj 12h jj-mm-aaaa 24h jj-mm-aaaa 12h mm/jj/aaaa 24h mm/jj/aaaa 12h
<b>Date</b>	Entrer la date du jour
<b>Heure</b>	Entrer l'heure

La date et l'heure en cours apparaissent sur l'écran.

Après réglage de la date et de l'heure, l'instrument est prêt à prendre une mesure.

## Opérations standard

### Utilisation d'un ID d'échantillon

L'étiquette d'ID d'échantillon permet d'associer les mesures à un emplacement d'échantillon spécifique. Les données enregistrées inclut cette identification si elle est attribuée.

1. Sélectionner **ID d'échantillon** dans le menu Paramètres.

2. Sélection, création ou suppression d'un ID d'échantillon :

Options	Descriptions
<b>ID actuel</b>	Sélectionner un ID dans une liste. L'ID en cours sera associé aux données d'échantillon jusqu'à la sélection d'un ID différent.
<b>Créer un nouvel ID d'échantillon</b>	Entrer un nom pour un nouvel ID d'échantillon.
<b>Supprimer un ID échantillon</b>	Supprime un ID d'échantillon existant.

### Utilisation d'un ID d'opérateur

L'étiquette d'ID d'opérateur associe les mesures à un opérateur particulier. Toutes les données enregistrées incluent cet ID.

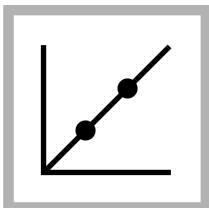
1. Sélectionner **ID opérateur** dans le menu Paramètres.
2. Sélection, création ou suppression d'un ID d'opérateur :

Options	Descriptions
<b>ID actuel</b>	Sélectionner un ID dans une liste. L'ID en cours sera associé aux données d'échantillon jusqu'à la sélection d'un ID différent.
<b>Créer un nouvel ID d'opérateur</b>	Entrer un nom pour un nouvel ID d'opérateur (le maximum est 10 noms pouvant être entrés).
<b>Supprimer un ID opérateur</b>	Supprime un ID d'opérateur existant.

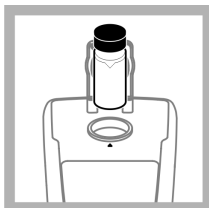
## Opérations avancées

### Étalonner le turbidimètre avec les étalons StabiCal®.

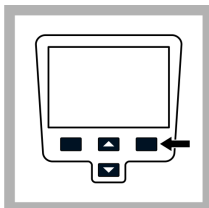
*Remarque : Pour une meilleure précision utiliser la même à échantillon ou quatre cuves à échantillon appariées pour toutes les lectures effectuées pendant l'étalonnage. Insérer la cuve à échantillon dans le compartiment de l'instrument avec le losange ou le repère d'orientation aligné sur le repère en relief à l'avant du compartiment.*



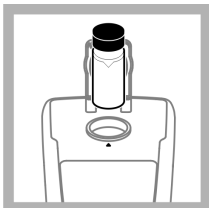
1. Appuyer sur la touche **ÉTALONNAGE** pour passer en mode d'étalonnage. Suivre les instructions à l'écran.  
**Remarque** : Retourner délicatement chaque étalon avant de l'insérer.



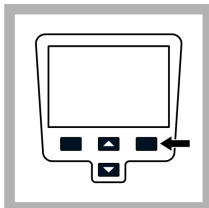
2. Insérer l'étalon StablCal 20 NTU et fermez le couvercle.  
**Remarque** : L'étalon à insérer est encadré.



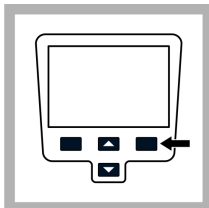
3. Appuyer sur **Mesure**. L'écran affiche Stabilisation puis le résultat.



4. Répéter les étapes 2 et 3 avec l'étalon StablCal 100 NTU et 800 NTU.  
**Remarque** : Appuyer sur **Terminé** pour terminer un étalonnage à 2 points.





5. Appuyer sur **Terminé** pour consulter les détails d'étalonnage.



6. Appuyer sur **Enregistrer** pour enregistrer les résultats. Après l'achèvement de l'étalonnage, l'instrument passe automatiquement en mode Vérif. étal. Pour plus d'informations, reportez-vous au CD qui contient la version enrichie de ce manuel.

## Modes de mesure

1. Appuyer sur la touche **HAUT** ou **BAS** pour entrer dans le menu Options de mesure.
2. Sélectionner Mode de mesure pour sélectionner une des options suivantes :

Options	Descriptions
<b>Normal (réglage par défaut)</b>	Le mode normal effectue trois mesures et en fait la moyenne. Le résultat est affiché après la mesure.
<b>Moyenne du signal</b> 	Le mode Moyenne du signal compense les fluctuations de lecture causées par une dérive des particules d'échantillon sur le chemin optique. L'icône X-bar apparaît à l'affichage quand le calcul de moyenne du signal est activé. Le mode Moyenne du signal effectue 12 mesures et commence l'affichage de la moyenne après trois mesures. Le résultat final est la moyenne des 12 mesures.
<b>Rapidly Settling Turbidity™ (RST)</b> 	Le mode Rapidly Settling Turbidity (RST) calcule et effectue la mise à jour permanente de la valeur de turbidité de l'échantillon avec une valeur de confiance de 95%, en fonction de la tendance cumulée des valeurs mesurées en temps réel. Le mode RST s'utilise au mieux sur les échantillons qui se déposent rapidement et dont la valeur change en permanence. La mesure se base sur un échantillon préparée correctement homogène au début de la mesure. Elle s'applique le mieux aux échantillons de valeur supérieure à 20 NTU. L'échantillon doit être soigneusement mélangé par retournement juste avant l'insertion dans l'appareil de mesure. L'icône de cible apparaît à l'écran quand le mode Rapidly Settling Turbidity est activé. Le mode Rapidly Settling Turbidity effectue cinq mesures et calcule en affichant les résultats intermédiaires.

## Maintenance

### ⚠ ATTENTION

Risque de blessures. Les opérations décrites dans cette section du manuel ne doivent être effectuées que par du personnel qualifié.

### Nettoyage de l'appareil de mesure

L'appareil de mesure est conçu pour être sans entretien et ne nécessite pas de nettoyage périodique en fonctionnement normal. Les surfaces extérieures de l'appareil peuvent être nettoyées si nécessaire.

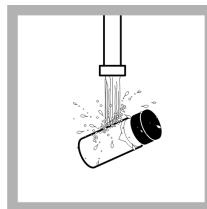
**Remarque :** Ne pas nettoyer l'appareil de mesure avec des solvants pour éviter d'endommager le matériau.

1. Nettoyer l'appareil de mesure avec un chiffon propre et non pelucheux sec ou légèrement humidifié. Une solution de détergent doux peut aussi permettre d'éliminer les salissures liposolubles.

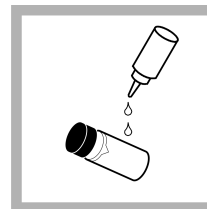
### Appliquer l'huile de silicone à une cuve à échantillon

Les cuves à échantillon et leurs bouchons doivent être maintenus extrêmement propres et sans rayures notables. Appliquer une mince couche d'huile au silicone sur l'extérieur des cuves à échantillon pour masquer les imperfections et rayures mineures qui pourraient contribuer à la dispersion de la lumière.

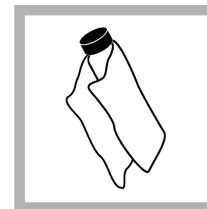
**Remarque :** N'utiliser que l'huile au silicone fournie. Cette huile au silicone a le même indice de réfraction que le verre de la cuve à échantillon.



1. Nettoyer l'intérieur et l'extérieur des cuves et des bouchons en les lavant avec un détergent pour verrerie de laboratoire. Faire suivre par plusieurs rinçage à l'eau distillée ou déminéralisée.



2. Appliquer un petit cordon d'huile au silicone de haut en bas de la cuve.



3. Utiliser le chiffon à huiler fourni pour répartir uniformément l'huile. Essuyer l'excédent d'huile pour ne laisser qu'une mince couche. Assurez-vous que la cuve à échantillon est quasiment sèche avec très peu ou pas d'huile visible.

**Remarque :** Ranger le chiffon à huiler dans le sachet de rangement en plastique pour le conserver propre.

### Stockage des cuves à échantillon

#### AVIS

Ne pas sécher les cuves à échantillon à l'air.

**Remarque :** Toujours conserver les cuves à échantillon avec leur bouchon pour éviter le séchage des cuves.

1. Remplir les cuves à échantillon avec de l'eau distillée ou déminéralisée.
2. Bouchez et rangez les cuves à échantillon.
3. Sécher l'extérieur des cuves à échantillon en les essuyant avec un chiffon doux.



## Remplacement de la pile

### ⚠ AVERTISSEMENT

Risque d'incendie. N'utiliser que des piles alcalines ou nickel métal hybride (NiMH) dans l'appareil. Les autres types de piles ou une installation incorrecte pourraient causer un incendie. Ne jamais mélanger les types de piles dans l'appareil.

Pour le remplacement de la pile, consulter [Figure 8](#) à la page 20.

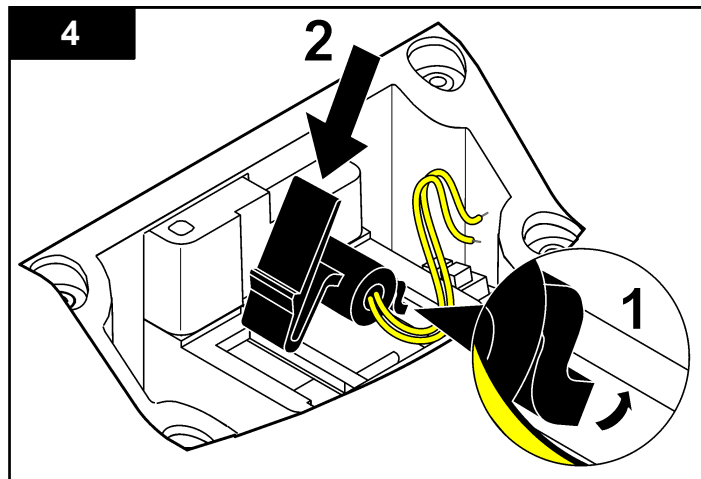
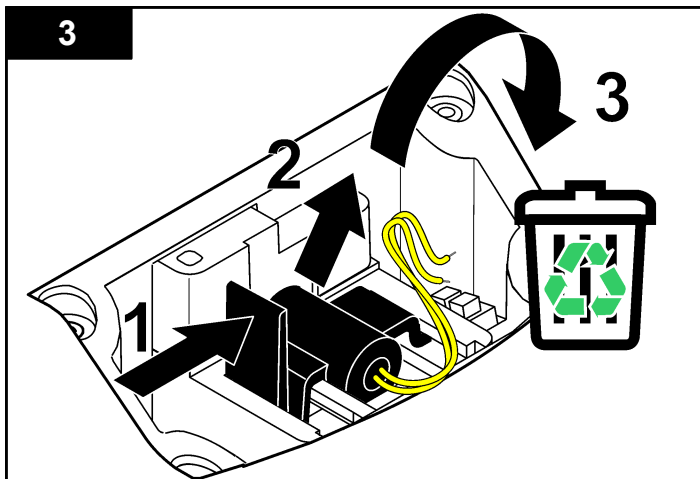
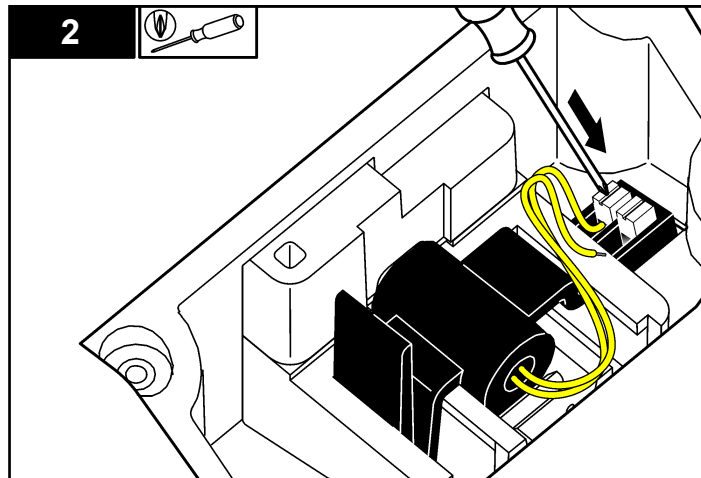
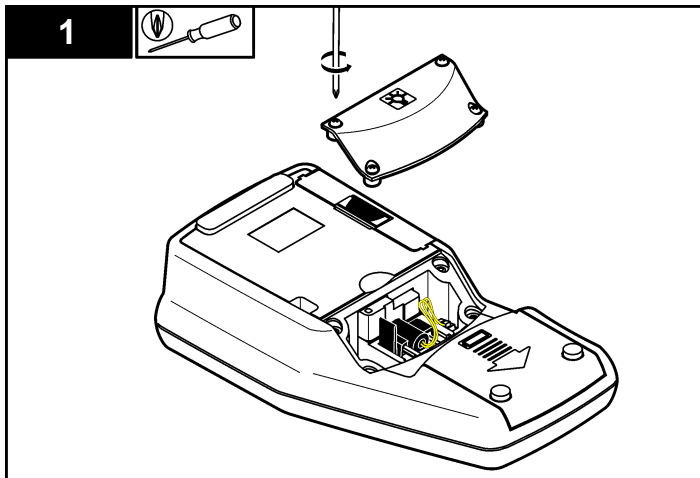
1. Déposer le capot des piles
2. Déposer les piles.

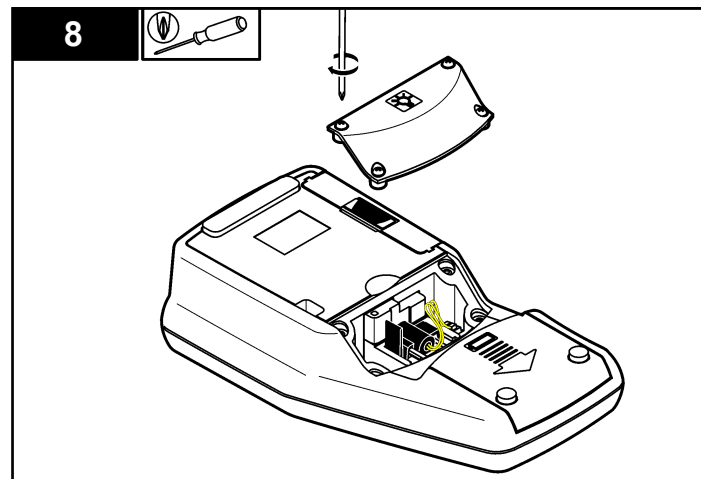
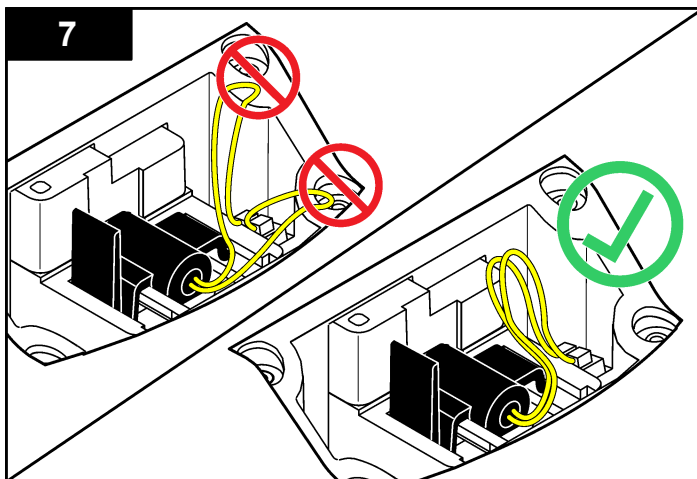
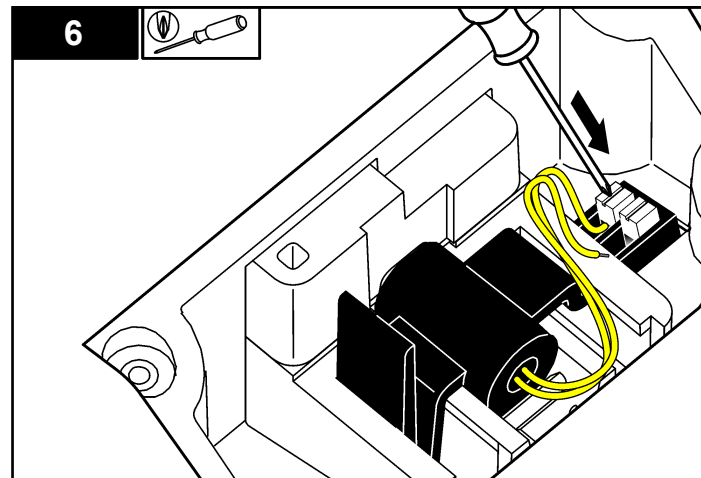
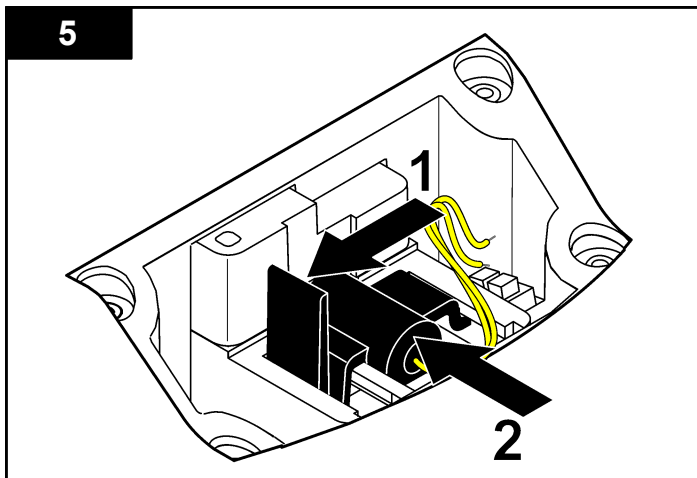
3. Installer 4 piles alcalines AA ou 4 piles rechargeables nickel métal hybride (NiMH) AA. Vérifier que les piles sont installées dans le bon sens.
4. Reposer le capot des piles.

## Remplacement de la lampe

### ⚠ ATTENTION

Risque de brûlure. Attendez que la lampe ait refroidi. Tout contact avec la lampe chaude peut provoquer des brûlures.





## Dépannage

Consulter le tableau ci-dessous des messages ou symptômes les plus courants, pour trouver les causes possibles et actions correctives.

Erreur/Avertissement	Descriptions	Solution
<b>ferm. couvercle et app. sur Mesurer.</b>	Le couvercle est ouvert ou la détection du couvercle a échoué.	Assurez-vous que le couvercle est fermé pendant la mesure et refaites une mesure.
<b>Batterie faible !</b>	La pile est faible.	<ul style="list-style-type: none"> <li>Insérer des piles neuves.</li> <li>Branchez le module USB/alimentation si vous utilisez des batteries rechargeables.</li> </ul>
<b>Défaut conv. A/N !</b>	Erreur matérielle causant un échec de la mesure.	Répéter la mesure.
<b>Signal détect. trop faible !</b>	Lumière insuffisante sur le détecteur à 180°.	<ul style="list-style-type: none"> <li>Rechercher une obstruction sur le chemin optique.</li> <li>Vérifier la lampe.</li> </ul>
<b>Au-dessus de la plage !</b>	Turbidité trop élevée - sans doute causée par un étalonnage en mode RapidCal™ seulement.	<ul style="list-style-type: none"> <li>Étalonner la gamme supérieure.</li> <li>Diluer l'échantillon.</li> </ul>
<b>En dessous de la plage !</b>	L'absorbance mesurée est en dessous de la plage d'étalonnage.	Répéter l'étalonnage.

Erreur/Avertissement	Descriptions	Solution
<b>Vérifiez la lampe !</b>	Les signaux sont trop faibles sur le détecteur à 90° et 180°.	<p><b>2100Q</b> : La lampe est défectueuse. Changez la lampe (voir <a href="#">Remplacement de la lampe</a> à la page 25).</p> <p><b>2100Q/Is</b> : Contacter le support technique.</p>
<b>Température trop élevée ! Arrêtez l'instrument.</b>	La température a dépassé les limites de l'appareil de mesure (>60 °C ou >140 °F).	Éteindre l'appareil de mesure et le laisser refroidir.
<b>RST : valeur moyenne !</b>	Les solides se déposent trop lentement. Le mode de mesure ne convient pas pour cet échantillon.	Sélectionner le mode de mesure Normal ou Moyenne du signal.
<b>Niveau de confiance &lt; 95 %</b>	Le mode de mesure Rapidly Settling Turbidity n'a pas pu atteindre la plage de ≥ 95% de confiance.	<ul style="list-style-type: none"> <li>Retourner plusieurs fois l'échantillon pour disperser les solides. Recommencer la mesure.</li> <li>Passer en mode de mesure Normal si l'échantillon est stable et ne comporte pas de solide susceptible de se déposer.</li> </ul>
<b>Valeur étalon hors plage. Insérez l'étalon et app. sur Mesurer</b>	Valeur d'étalon utilisée incorrecte pour la mesure.	Insérer l'étalon approprié et refaire la mesure.
<b>ID déjà utilisé. Entrez un nouvel ID</b>	L'identification d'opérateur ou d'échantillon n'est pas disponible car elle a déjà été attribuée.	Créer un nouvel ID.

Erreur/Avertissement	Descriptions	Solution
<b>Erreur - Sécurité</b> Configurez d'abord le mot de passe avant d'activer la sécurité	Aucun mot de passe créé.	CCréer un nouveau mot de passe.
<b>Entrez au moins un caractère.</b>	Le mot de passe doit contenir au moins un caractère.	Créer un mot de passe contenant au moins un caractère.
<b>Mot de passe incorrect. Réessayez.</b>	Un mot de passe erroné a été entré.	Entrer le mot de passe approprié.
<b>Veillez débrancher le câble USB de votre ordinateur.</b>	L'enregistrement de données ne répond pas pendant une connexion de l'appareil avec l'ordinateur.	Débrancher le câble USB de l'appareil de mesure et essayer de renvoyer les données.
<b>Mémoire module USB pleine. Suppr. des données et réessayez.</b>	Stockage de données plein.	<ol style="list-style-type: none"> <li>1. Brancher le module USB/alimentation à l'ordinateur.</li> <li>2. Télécharger les données enregistrées sur l'ordinateur.</li> <li>3. Supprimer le journal de données sur le module.</li> </ol>

Erreur/Avertissement	Descriptions	Solution
<b>Echec de la suppression de la dernière mesure !</b>	Erreur dans le stockage de données.	Éteindre et rallumer l'appareil de mesure. Si le message d'erreur réapparaît, prenez contact avec le support technique.
<b>Echec de la suppression du journal des données !</b>		
<b>Impossible de lire l'ensemble de données !</b>		
<b>Enreg. données imposs. !</b>		
<b>Impossible d'enregistrer le journal de mesures !</b>		
<b>Impossible d'enregistrer le journal de vérif. d'étal. !</b>		
<b>Erreur lors de l'enreg. des données !</b>		
<b>Erreur de lecture des données !</b>		

## Especificaciones

Las especificaciones están sujetas a cambios sin previo aviso.

Especificación	Detalles
Método de medición	Determinación turbidimétrica en ratio entre una señal primaria nefelométrica de luz dispersa (90°) y la señal de luz dispersa transmitida.
Normativa	<b>2100Q:</b> Cumple con el Método EPA 180.1 <b>2100Qis:</b> Cumple con ISO 7027
Fuente de luz	<b>2100Q:</b> Lámpara de filamento de tungsteno <b>2100Qis:</b> Diodo emisor de luz (LED) a 860 nm
Rango	0–1000 NTU (FNU)
Exactitud	±2% de la lectura más la luz difusa en el intervalo 0–1000 NTU (FNU)
Repetibilidad	± 1% de la lectura o 0,01 NTU, el que sea mayor
Resolución	0,01 NTU en el intervalo más bajo
Luz difusa	≤ 0,02 NTU (FNU)
Promedio de valores	Seleccionable en modo apagado o encendido
Detector	Fotodiodo de silicón
Modos de medición	Normal (Pulse para leer), Promedio de valores o Rapidly Settling Turbidity™
Opciones de calibración	RapidCal™ de un solo paso para informes regulatorios de bajo nivel de 0–40 NTU (FNU) Calibración total de 0–1000 NTU (FNU) Calibración a grados de turbidez
Registrador de calibración	Registra las últimas 25 calibraciones exitosas
Registrador de verificación	Registra las últimas 250 verificaciones exitosas

Especificación	Detalles
Registrador de datos	500 registros
Requisitos de energía	CA 100–240 V , 50/60 Hz (con módulo USB/de alimentación) 4 baterías alcalinas Baterías recargables NiMH (para módulo USB/de alimentación)
Condiciones de operación	Temperatura: 0 a 50 °C (32 a 122 °F) Humedad relativa: 0–90% a 30 °C, 0–80% a 40 °C, 0–70% a 50 °C, sin condensación
Condiciones de almacenamiento	–40 a 60 °C (–40 a 140 °F), sólo el instrumento
Interfaz	USB opcional
Muestra requerida	15 mL (0,5 oz.)
Cubetas de muestras	Cubetas redondas de 60 x 25 mm (2,36 x 1 pulg.) vidrio de borosilicato con capuchón roscado
Dimensiones	22,9 x 10,7 x 7,7 cm (9,0 x 4,2 x 3,0 pulg.)
Peso	530 g (1,17 lb) sin baterías 620 g (1,37 lb) con cuatro baterías alcalinas AA
Protección carcasa medidor	IP67 (tapa cerrada, baterías y compartimento del módulo excluidos)
Clase de protección	Alimentación: Clase II
Certificación	Certificación CE
Garantía	1 año (EU: 2 años)

## Información general

En ningún caso el fabricante será responsable de cualquier daño directo, indirecto, especial, accidental o resultante de un defecto u omisión en este manual. El fabricante se reserva el derecho a modificar este manual y los

productos que describen en cualquier momento, sin aviso ni obligación. Las ediciones revisadas se encuentran en el sitio Web del fabricante.

## Información de seguridad

Lea todo el manual antes de desembalar, instalar o trabajar con este equipo. Ponga atención a todas las advertencias y avisos de peligro. El no hacerlo puede provocar heridas graves al usuario o daños al equipo.

Para garantizar que no se deteriore la protección que ofrece este producto, no use o instale el equipo de manera diferente a la especificada en este manual.

## Utilización de la información sobre riesgos

### PELIGRO

Indica una situación potencial o de riesgo inminente que -de no evitarse- provocará la muerte o lesiones graves.

### ADVERTENCIA

Indica una situación potencial o de riesgo inminente que, de no evitarse, podría provocar la muerte o lesiones graves.

### PRECAUCIÓN

Indica una situación potencialmente peligrosa que podría causar un accidente o daño menor.

### AVISO

Indica una situación que, si no se evita, puede provocar daños al instrumento. Información que requiere énfasis especial.

## Etiquetas de precaución

Lea todas las etiquetas y rótulos adheridos al instrumento. En caso contrario, podrían producirse heridas personales o daños en el instrumento. El símbolo, en caso de estar rotulado en el equipo, se indica con una indicación de peligro o de advertencia en el manual.



Este es un símbolo de alerta de seguridad. Obedezca a todos los mensajes de seguridad que se muestran a continuación de este símbolo para evitar posibles lesiones. Si lo encuentra sobre el instrumento, consulte el manual de instrucciones para obtener información de funcionamiento o seguridad.



Este símbolo indica que hay riesgo de descarga eléctrica y/o electrocución.



El equipo eléctrico marcado con este símbolo no puede ser descartado en los sistemas públicos de desechos europeos desde el 12 de agosto de 2005. Conforme con los reglamentos locales y nacionales europeos (directriz de la UE 2002/96/EC), los usuarios de equipos eléctricos europeos deben ahora regresar al productor todo equipo viejo -o que haya acabado su vida útil- para que sea desechado sin carga para el usuario.

*Nota: Para devolver equipos para su reciclaje, contáctese con el fabricante o distribuidor para así obtener instrucciones acerca de cómo devolverlos y descartarlos correctamente. Esto aplica a equipos que hayan alcanzado el término de su vida útil, accesorios eléctricos suministrados por el fabricante o distribuidor y todo elemento auxiliar.*

## Certificación

### Reglamentación canadiense sobre equipos que provocan interferencia, IECS-003, Clase A

Registros de pruebas de control del fabricante.

Este aparato digital de clase A cumple con todos los requerimientos de las reglamentaciones canadienses para equipos que producen interferencias.

Cet appareil numérique de la classe A respecte toutes les exigences du Règlement sur le matériel brouilleur du Canada.

### FCC Parte 15, Límites Clase "A"

Registros de pruebas de control del fabricante. Este dispositivo cumple con la Parte 15 de las normas de la FCC estadounidense. Su operación está sujeta a las siguientes dos condiciones:

1. El equipo no puede causar interferencias perjudiciales.
2. Este equipo debe aceptar cualquier interferencia recibida, incluyendo las interferencias que pueden causar un funcionamiento no deseado.

Los cambios o modificaciones a este equipo que no hayan sido aprobados por la parte responsable podrían anular el permiso del usuario para operar el equipo. Este equipo ha sido probado y encontrado que cumple con los

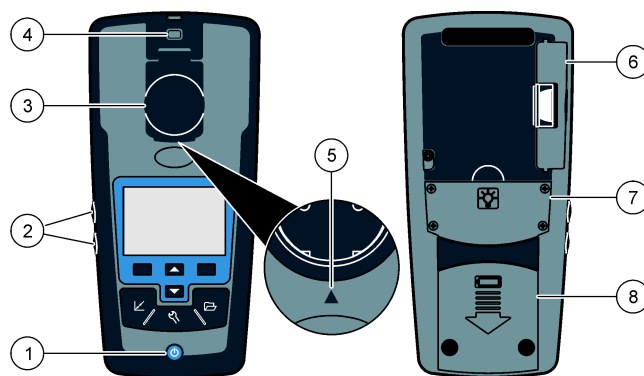
Límites para un dispositivo digital Clase A, de acuerdo con la Parte 15 de las Reglas FCC. Estos límites están diseñados para proporcionar una protección razonable contra las interferencias perjudiciales cuando el equipo está operando en un entorno comercial. Este equipo genera, utiliza y puede irradiar energía de radio frecuencia, y si no es instalado y utilizado de acuerdo con el manual de instrucciones, puede causar una interferencia dañina a las radio comunicaciones. La operación de este equipo en un área residencial es probable que produzca interferencia dañina, en cuyo caso el usuario será requerido para corregir la interferencia bajo su propio cargo. Pueden utilizarse las siguientes técnicas para reducir los problemas de interferencia:

1. Desconecte el equipo de su fuente de alimentación para verificar si éste es o no la fuente de la interferencia.
2. Si el equipo está conectado a la misma toma eléctrica que el dispositivo que experimenta la interferencia, conecte el equipo a otra toma eléctrica.
3. Aleje el equipo del dispositivo que está recibiendo la interferencia.
4. Cambie la posición de la antena del dispositivo que recibe la interferencia.
5. Trate combinaciones de las opciones descritas.

### Generalidades del producto

Los turbidímetros portátiles 2100Q y 2100Qis miden turbidez de 0 a 1000 NTU (FNU). Principalmente para el uso de campo, el medidor portátil funciona con cuatro baterías AA. Los datos se pueden guardar y transferir a una impresora, PC o dispositivo de almacenamiento USB.

**Figura 11 Generalidades del producto**



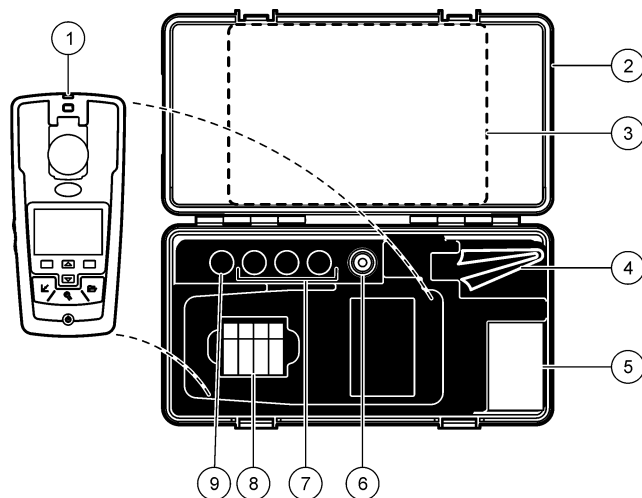
1 Modo de apagado o encendido	5 Flecha de alineación
2 Teclas de retroiluminación (+ y -)	6 Módulo
3 Soporte de la cubeta con tapa	7 Compartimento de la lámpara
4 Anexo para cordel de seguridad	8 Compartimento de las baterías

### Componentes del producto

Consulte la [Figura 12](#) para asegurarse de que se han recibido todos los componentes. Si falta algún elemento, o alguno está dañado, comuníquese con el fabricante o con un representante de ventas inmediatamente.



Figura 12 Componentes del 2100Q y 2100Q/s



1 Turbidímetro 2100Q o 2100Q/s	6 Aceite de silicona
2 Caja de transporte	7 Estándares de calibración StabiCal para 20, 100 y 800 NTU
3 Manual del usuario, Guía de referencia rápida y CD-ROM	8 Pilas alcalinas AA (paquete/4)
4 Paño de aceitear	9 Estándar de verificación StabiCal para 10 NTU
5 1de muestras de 1" (10 mL) con tapa (paquete/6)	

## Instalación

### ⚠ PRECAUCIÓN

Peligro de lesión personal. Las tareas descritas en esta sección del manual deben ser realizadas sólo por personal cualificado.

## Instale las pilas

### ⚠ ADVERTENCIA

Peligro potencial de incendio. Utilice solamente pilas alcalinas o de hidruro metálico de níquel (NiMH) en el medidor. El uso de otros tipos de pilas o una instalación incorrecta puede provocar un incendio. Nunca mezcle diferentes tipos de pilas en el medidor.

### AVISO

El compartimento de las pilas no es a prueba de agua. Si se moja, retire y seque las pilas y seque cuidadosamente el interior del compartimento. Compruebe los contactos de las pilas y límpielos si es necesario.

### AVISO

Cuando use pilas de hidruro metálico de níquel (NiMH), el icono de pilas no le indicará una carga completa después de haber insertado pilas nuevas (las pilas de NiMH son de 1,2 V y las pilas alcalinas son de 1,5 V). Si bien el icono no indica carga completa, las pilas de NiMH de 2500 mAh alcanzarán el 90% de la vida útil del instrumento (antes de la recarga) versus las pilas alcalinas nuevas.

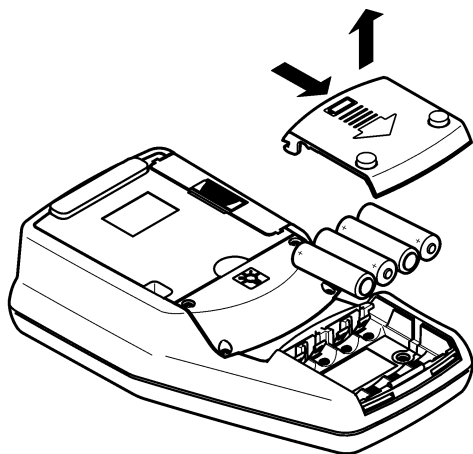
El medidor puede alimentarse con pilas alcalinas AA o con pilas de hidruro metálico de níquel recargables. Para preservar la vida de las pilas, el medidor se desconectará después de 10 minutos de inactividad; la retroiluminación se desconecta después de 30 segundos. Este tiempo se puede cambiar desde el menú Gestión de energía.

**Nota:** Las pilas recargables sólo se recargarán con el módulo USB/de alimentación. Consulte la documentación del módulo para más información.

Para la instalación de las pilas consulte la [Figura 13](#).

1. Retire la tapa de las pilas.
2. Coloque 4 pilas alcalinas AA o 4 pilas de hidruro metálico de níquel (NiMH). Asegúrese de que las pilas se coloquen con la orientación correcta.
3. Vuelva a colocar la tapa.

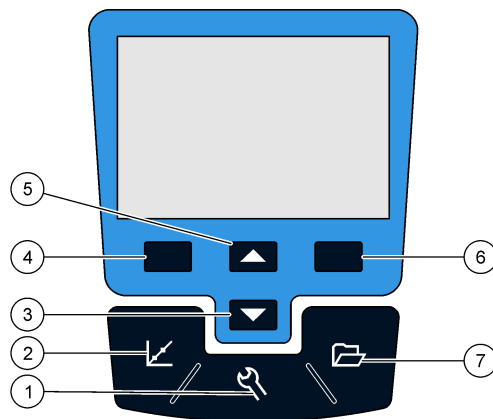
Figura 13 Instalación de las pilas.



## Interfaz del usuario y navegación

### Intefaz con el usuario

Figura 14 Descripción del teclado

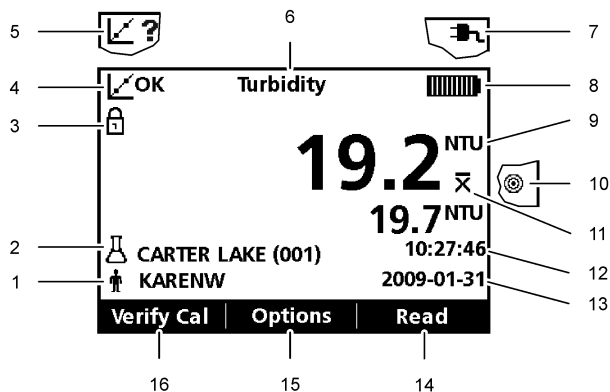


<p><b>1</b> Tecla de <b>CONFIGURACIONES</b>: selecciona las opciones del menú para configurar el medidor.</p>	<p><b>5</b> Tecla <b>ARRIBA</b>: se desplaza por los menús, ingresa números y letras</p>
<p><b>2</b> Tecla <b>CALIBRACIÓN</b>: muestra la pantalla de calibración, inicia la calibración, selecciona las opciones de calibración</p>	<p><b>6</b> Tecla <b>DERECHA</b>(contextual): lee la muestra de turbidez, selecciona o confirma opciones, abre/salta a los sub-menús.</p>
<p><b>3</b> Tecla <b>ABAJO</b>: se desplaza por los menús, ingresa números y letras</p>	<p><b>7</b> Tecla <b>GESTIÓN DE DATOS</b>: visualiza, borra o transfiere los datos guardados</p>
<p><b>4</b> Tecla <b>IZQUIERDA</b> (contextual): accede a la verificación de calibración, cancela o sale de la pantalla del menú actual y pasa a la pantalla del menú anterior.</p>	

## Descripción de la pantalla

La pantalla de medición muestra la turbidez, unidad, estado de calibración, fecha y hora, ID del usuario (si se configuró) y el ID de la muestra (si se configuró). Consulte la [Figura 15](#).

**Figura 15** Pantalla única



1	Identificador del usuario	9	NTU (Unidades nefelométricas de turbidez) o FNU (Unidades de turbidez de formazina)
2	Identificación de la muestra	10	Modo de medición: Rapidly Settling Turbidity (icono de blanco)
3	Indicador de estabilidad o bloqueo de pantalla	11	Modo de medición: Promedio de señal (icono de X-barra)
4	Indicador del estado de calibración (Calibración OK= correcta)	12	Hora
5	Indicador del estado de calibración (Calibración ?= incorrecta)	13	Fecha
6	Parámetro	14	Medición (contextual: OK, Seleccionar)
7	Icono de alimentación de CA	15	Opciones (contextual)
8	Icono de batería	16	Calibración de verificación

## Navegación

El medidor contiene un menú de Configuraciones, menú de Opciones de medición, menú de Opciones de calibración y menú de Opciones de verificación de calibración para modificar varias opciones. Utilice las teclas **ARRIBA** y **ABAJO** para resaltar las diferentes opciones. Pulse la tecla **DERECHA** para seleccionar una opción. Existen dos formas de cambiar las opciones:

1. Seleccione una opción de la lista: use las teclas **ARRIBA** y **ABAJO** para seleccionar una opción. Si se muestran casillas de verificación, se puede seleccionar más de una opción. Pulse la tecla **IZQUIERDA** debajo de Seleccionar.

*Nota:* Para deseleccionar las casillas de verificación, pulse la tecla **IZQUIERDA** debajo de Deseleccionar.

2. Introduzca un valor de opción usando las teclas de flechas: Pulse las teclas **ARRIBA** y **ABAJO** para introducir o cambiar un valor.
3. Pulse la tecla **DERECHA** para avanzar al siguiente espacio.
4. Pulse la tecla **DERECHA** en **OK** para aceptar el valor.

## Puesta en marcha

### Encienda y apague el medidor

Pulse la tecla **ON/OFF** para encender o apagar el medidor. Si el medidor no se enciende, asegúrese de que las pilas o el módulo de alimentación de CA estén correctamente instalados o de que la fuente de alimentación de CA está debidamente conectada a una toma eléctrica.

*Nota:* También se puede usar la opción de apagado automático para apagar el medidor. Para obtener más información, consulte en el CD la versión ampliada de este manual.

### Cambio del idioma

Existen tres opciones para establecer el idioma:

- El idioma de visualización se selecciona cuando se enciende el medidor por primera vez.
- El idioma de visualización se selecciona cuando se presiona y mantiene la tecla de encendido.

- El idioma puede modificarse desde el menú de Configuraciones.

1. Seleccione un idioma de la lista. Confirme con **OK**.
2. Pulse **Hecho** cuando la actualización se haya completado.

## Cambio de la fecha y la hora

La fecha y la hora se pueden cambiar desde el menú Fecha y hora.

1. Pulse la tecla **CONFIGURACIÓN** y seleccione Fecha y hora.
2. Actualización de la información de fecha y hora:

Opción	Descripción
<b>Formato</b>	Seleccione un formato para la fecha y la hora: aaaa-mm-dd 24h aaaa-mm-dd 12h dd-mm-aaaa 24h dd-mm-aaaa 12h mm/dd/aaaa 24h mm/dd/aaaa 12h
<b>Fecha</b>	Introduzca la fecha actual
<b>Hora</b>	Introduzca la hora actual

La fecha y hora actuales se mostrarán en la pantalla.

Después de configurar la fecha y hora, el medidor está listo para tomar la medición.

## Operaciones estándar

### Uso de un ID de la muestra

La etiqueta ID de la muestra se usa para asociar mediciones con ubicaciones de muestras en particular. Si se asocian, los datos guardados incluirán este ID.

1. Seleccione **ID de la muestra** en el menú de Configuraciones.

2. Seleccione, cree o borre el ID de la muestra:

Opción	Descripción
<b>ID actual</b>	Seleccione un ID de una lista. El ID actual se asociará con los datos de la muestra hasta que se seleccione un ID diferente.
<b>Crear nuevo ID de la muestra</b>	Introducir un nombre para una ID de muestra nueva
<b>Borrar ID de muestra</b>	Borrar un ID de muestra existente

### Utilización de un ID de usuario

La etiqueta de ID de usuario asocia mediciones de muestras con un usuario individual. Todos los datos almacenados incluirán este ID.

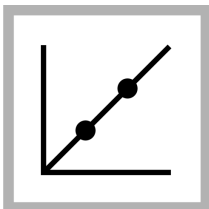
1. Seleccione **ID del usuario** en el menú de Configuraciones.
2. Seleccione, cree o borre un ID del usuario:

Opción	Descripción
<b>ID actual</b>	Seleccione un ID de una lista. El ID actual se asociará con los datos de la muestra hasta que se seleccione un ID diferente.
<b>Crear nuevo ID de usuario</b>	Introducir un nombre para un ID de operador nuevo (pueden ingresarse 10 nombres como máximo)
<b>Borrar ID de usuario</b>	Eliminar un ID de usuario existente

## Operaciones avanzadas

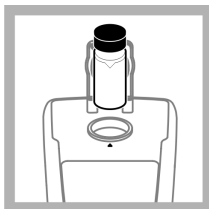
### Calibre el turbidímetro según los Estándares StablCal®

*Nota: Para una mayor precisión, utilice la misma cubeta de muestra o cuatro cubetas de muestras emparejadas para todas las lecturas durante la calibración. Inserte la cubeta de muestra en su compartimento de manera que la marca de orientación o el diamante coincida con la marca de orientación en relieve en la parte frontal del compartimento de la cubeta.*

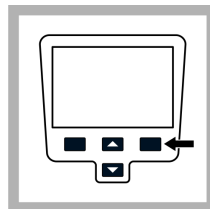


1. Pulse la tecla **CALIBRACIÓN** para entrar al modo de Calibración. Siga las instrucciones en la pantalla.

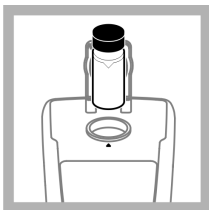
**Nota:** Invierta suavemente cada estándar antes de insertarlo.



2. Inserte el Estándar StabiCal para 20 NTU y coloque la tapa. **Nota:** El estándar a ser insertado aparece en el display en un recuadro.

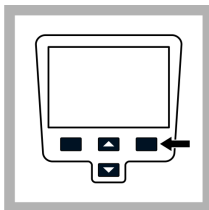


3. Pulse **Medición**. La pantalla muestra Estabilizando y luego muestra el resultado.

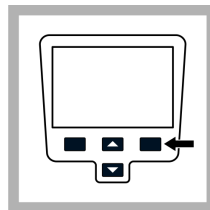


4. Repita el Paso 2 y 3 con el Estándar StabiCal para 100 NTU y 800 NTU.

**Nota:** Pulse **Hecho** para completar una calibración de 2 puntos.





5. Pulse **Hecho** para revisar los detalles de la calibración.



6. Pulse **Guardar** para guardar los resultados. Después de terminar la calibración, el medidor automáticamente pasa al modo Verificar cal. Para obtener más información, consulte en el CD la versión ampliada de este manual.

## Modos de medición

1. Pulse las teclas **ARRIBA** o **ABAJO** para ingresar al Menú de opciones de medición
2. Seleccione el Modo Medición para seleccionar una de las siguientes opciones:

Opción	Descripción
<b>Normal (configuración por defecto)</b>	El modo normal lee y promedia tres mediciones. El resultado se muestra después de la medición.
<b>Promedio de valores</b> 	<p>El modo Promedio de valores compensa las fluctuaciones en la medición causadas por el desplazamiento de las partículas de la muestra en la trayectoria de la luz.</p> <p>El icono de X-barras se muestra en la pantalla cuando está encendido el promedio de valores.</p> <p>El modo Promedio de valores mide 12 veces y comienza a mostrar el promedio después de tres mediciones. El resultado final es el promedio de 12 mediciones.</p>
<b>Rapidly Settling Turbidity™ (RST)</b> 	<p>El modo Rapidly Settling Turbidity (RST) calcula y actualiza en forma continua la medición de la turbidez de la muestra con una fiabilidad del 95% basada en la tendencia acumulada de los valores medidos en tiempo real.</p> <p>El modo RST se usa mejor en muestras que decantan rápidamente y que cambian continuamente su valor. La medición se basa en una muestra correctamente preparada que es homogénea al comenzar la medición. Se aplica mejor a muestras mayores a 20 NTU. La muestra debe mezclarse cuidadosamente, invirtiéndola inmediatamente antes de insertarla en el medidor.</p> <p>El icono de blanco aparece en la pantalla cuando el modo Rapidly Settling Turbidity está activado.</p> <p>El modo Rapidly Settling Turbidity lee y calcula cinco mediciones mientras muestra resultados intermedios.</p>

## Mantenimiento

### ▲ PRECAUCIÓN

Peligro de lesión personal. Las tareas descritas en esta sección del manual deben ser realizadas sólo por personal cualificado.

### Limpié el medidor.

El medidor está diseñado para no necesitar mantenimiento y no requiere una limpieza regular para su normal funcionamiento. Las superficies exteriores se pueden limpiar conforme se precise.

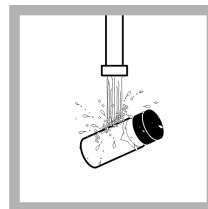
**Nota:** No limpie el medidor con solventes para evitar dañar el material.

1. Limpie el medidor con un paño libre de pelusas y polvo, seco o levemente humedecido. También puede utilizarse una solución de jabón neutro para la contaminación liposoluble.

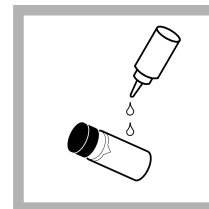
### Aplicar aceite de silicona a una cubeta de muestra

Las cubetas de muestra y las tapas deben estar perfectamente limpias y sin rayas. Aplique una fina película de aceite de silicona en la parte exterior de la cubeta de muestras para cubrir pequeñas imperfecciones y rayas que podrían generar difusión de la luz.

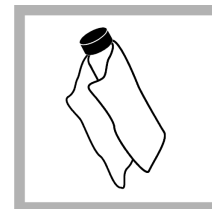
**Nota:** Utilice sólo el aceite de silicona suministrado. Este aceite de silicona tiene el mismo índice refractivo que el vidrio de la cubetas de muestras.



1. Limpie la parte interna y externa de las cubetas y tapas lavándolas con un detergente de laboratorio para limpieza de vidrio. Luego enjuague varias veces con agua destilada o desmineralizada.



2. Aplique una gota de aceite de silicona desde abajito hacia arriba de la cubeta.



3. Utilice el paño lubricante suministrado para esparcir el aceite en forma uniforme. Limpie el exceso de manera que sólo quede una fina película de aceite. Asegúrese de que la cubeta de muestras esté casi seca, con muy poco o nada de aceite visible.  
**Nota:** Conserve el paño lubricante en una bolsa de plástico para mantenerlo limpio.

### Guarde las cubetas de muestra

#### AVISO

No seque las cubetas de muestra al aire.

**Nota:** Siempre guarde las cubetas de muestra con las tapas colocadas, para evitar que las cubetas se sequen.

1. Llene las cubetas de muestras con agua destilada o desmineralizada.
2. Tape y guarde las cubetas.
3. Seque la parte externa de las cubetas de muestras con un paño suave.

### Recambio de las pilas.

#### **ADVERTENCIA**

Peligro potencial de incendio. Utilice solamente pilas alcalinas o de hidruro metálico de níquel (NiMH) en el medidor. El uso de otros tipos de pilas o una instalación incorrecta puede provocar un incendio. Nunca mezcle diferentes tipos de pilas en el medidor.

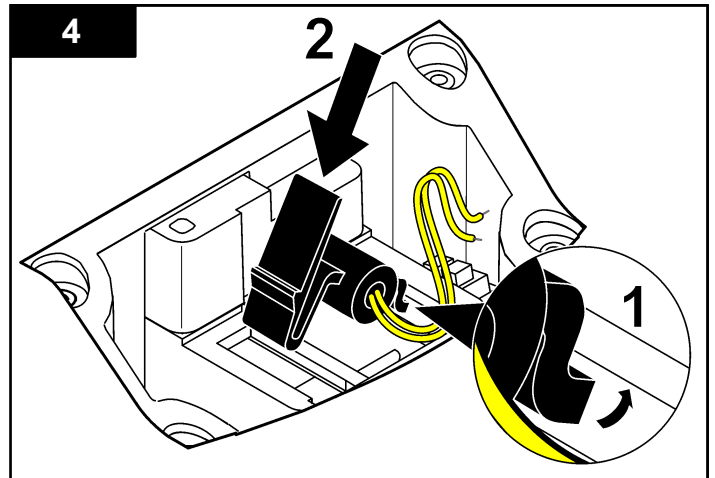
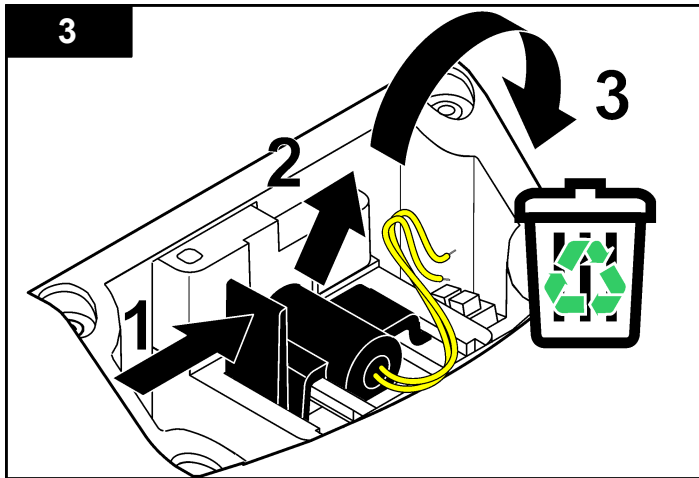
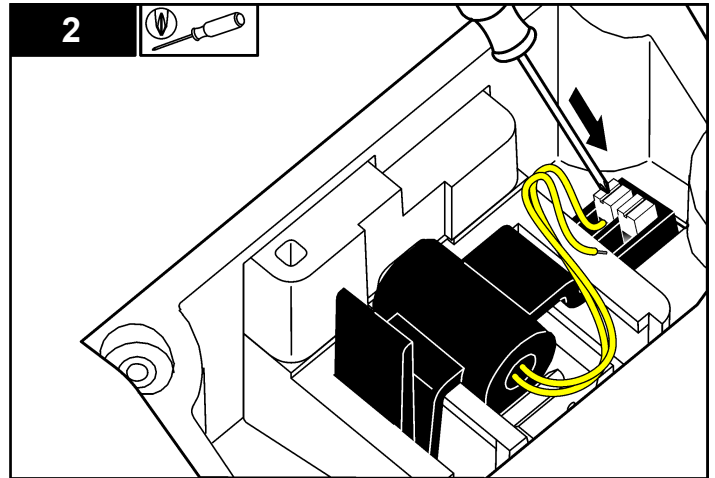
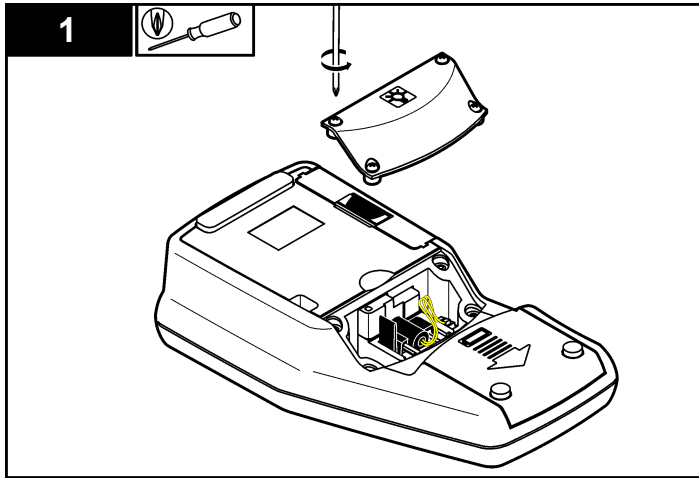
Para la instalación de las pilas consulte la [Figura 13](#) en la página 34.

1. Retire la tapa de las pilas.
2. Extraiga las baterías usadas.
3. Coloque 4 pilas alcalinas AA o 4 pilas de hidruro metálico de níquel (NiMH). Asegúrese de que las pilas se coloquen con la orientación correcta.
4. Vuelva a colocar la tapa.

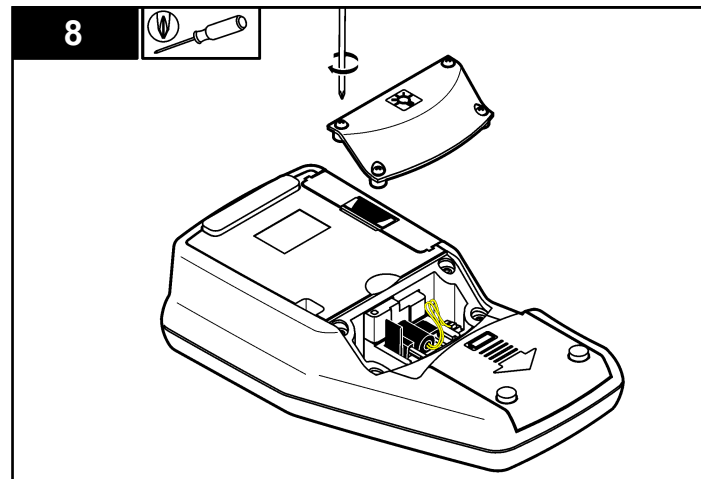
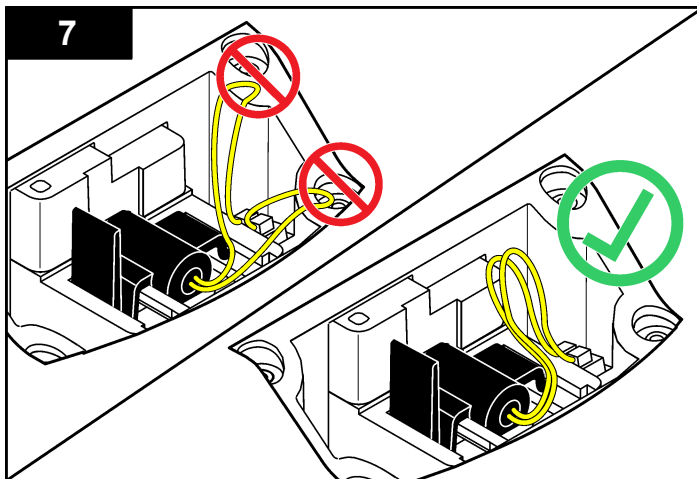
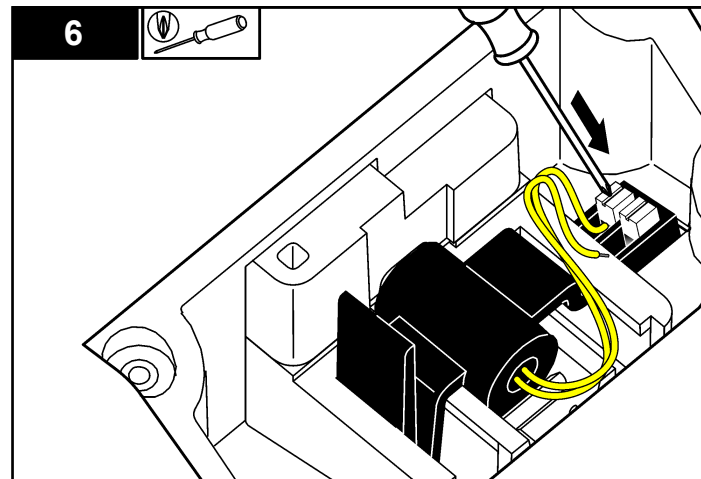
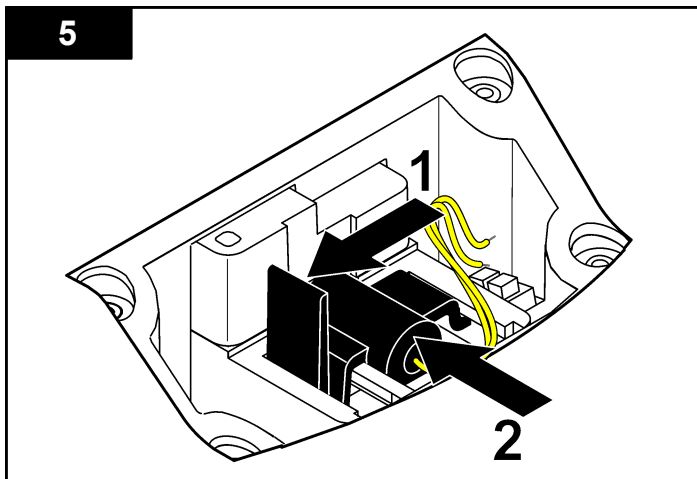
### Cambie la lámpara

#### **PRECAUCIÓN**

Peligro de quemadura. Espere hasta que la lámpara se enfríe. El contacto con la lámpara caliente puede provocar quemaduras.







## Solución de problemas

Consulte la siguiente tabla para ver los mensajes o síntomas de los problemas comunes, las posibles causas y acciones correctivas.

Error/advertencia	Descripción	Solución
<b>Coloque la tapa y pulse Medición</b>	La tapa está abierta o falló la detección de la tapa.	Asegúrese de que la tapa esté cerrada durante la medición y realice la medición nuevamente.
<b>¡Batería baja!</b>	Las pilas están bajas.	<ul style="list-style-type: none"> <li>• Inserte nuevas pilas.</li> <li>• Conecte el USB/ módulo de alimentación si se usan pilas recargables.</li> </ul>
<b>¡Fallo de ADC!</b>	Un error de hardware causa que la medición falle.	Repita la medición.
<b>¡Señal detector muy baja!</b>	Luz insuficiente en el detector de 180°.	<ul style="list-style-type: none"> <li>• Verifique que nada obstruya la trayectoria de la luz.</li> <li>• Revise la lámpara.</li> </ul>
<b>¡Rango superado!</b>	Turbidez demasiado alta, probablemente debido a calibración con RapidCal™ solamente.	<ul style="list-style-type: none"> <li>• Calibre el rango superior.</li> <li>• Diluya la muestra.</li> </ul>
<b>¡Rango no alcanzado!</b>	La absorción medida está por debajo del rango de calibración.	Repita la calibración

Error/advertencia	Descripción	Solución
<b>Compruebe la lámpara.</b>	Las señales son muy bajas en el detector de 90° y 180°.	<p><b>2100Q:</b> lámpara defectuosa. Reemplace la lámpara (consulte <a href="#">Cambie la lámpara</a> en la página 39)</p> <p><b>2100Q/s:</b> Comuníquese con la asistencia técnica.</p>
<b>¡Temperatura demasiado alta! Apague el instrumento.</b>	La temperatura ha excedido los límites del medidor (>60 °C o >140 °F).	Apague el medidor y deje que se enfríe.
<b>RST: ¡Valor medio!</b>	Los sólidos se decantan muy lentamente. El modo de medición no es adecuado para esta muestra.	Seleccione el modo de medición Normal o Promedio de valores.
<b>La fiabilidad es &lt;95%</b>	El modo de medición Rapidly Settling Turbidity no alcanzó el rango de fiabilidad de ≥ 95%.	<ul style="list-style-type: none"> <li>• Invierta la muestra varias veces para que los sólidos se ubiquen. Repita la medición.</li> <li>• Cambie al modo de medición Normal si la muestra está estable y no tiene sólidos que precipitan.</li> </ul>
<b>Valor estándar fuera de rango. Inserte el estándar y pulse Medición</b>	Se usó un valor estándar incorrecto para la medición.	Inserte el estándar adecuado y repita la medición.
<b>ID en uso. Introduzca nuevo ID</b>	El ID del usuario y de la muestra no están disponibles porque ya han sido asignados.	Crear un nuevo ID del usuario

Error/advertencia	Descripción	Solución
<b>Error - Seguridad. Establezca la contraseña antes de activar la seguridad</b>	No se ha creado contraseña.	Crear una nueva contraseña.
<b>Introduzca al menos un caracter.</b>	La contraseña debe contener al menos un caracter.	Crear una contraseña con al menos un caracter.
<b>Contraseña no OK. Pruebe de nuevo.</b>	Se ingresó una contraseña incorrecta.	Ingrese la contraseña apropiada.
<b>Desconecte el cable del USB del ordenador.</b>	El almacenamiento de datos no responde mientras está conectado al medidor y al ordenador.	Desconecte el cable del USB del medidor y trate de enviar los datos nuevamente.
<b>La memoria USB está llena. Borre datos e inténtelo de nuevo.</b>	El almacenamiento de datos está lleno.	<ol style="list-style-type: none"> <li>1. Conecte el USB/ módulo de alimentación al ordenador.</li> <li>2. Descargar los datos almacenados al ordenador.</li> <li>3. Borrar Registro de datos del módulo.</li> </ol>

Error/advertencia	Descripción	Solución
<b>Fallo al borrar la última medición</b>	Error en almacenamiento de datos.	Apague y encienda el medidor. Si el mensaje de error continúa, póngase en contacto con la asistencia técnica.
<b>Fallo al borrar registro de datos</b>		
<b>No se puede leer el conjunto de datos</b>		
<b>No se pueden guardar datos</b>		
<b>No se puede guardar en el registro de medición</b>		
<b>No se puede guardar en Verificar registro de calibración</b>		
<b>¡Error al guardar los datos!</b>		
<b>¡Error al leer los datos!</b>		

## Especificações

As especificações estão sujeitas a alterações sem aviso prévio.

Especificação	Detalhes
Método de medição	Determinação da taxa turbidimétrica com o uso de um sinal principal em luz dispersa nefelométrica (90°) em relação ao sinal transmitido em luz dispersa.
Normativa	<b>2100Q:</b> Atende ao Método 180.1 da EPA <b>2100Qis:</b> Atende à ISO 7027
Fonte de emissão	<b>2100Q:</b> Lâmpada de filamento de tungstênio <b>2100Qis:</b> Diodo emissor de luz (LED) em 860 nm
Faixa	0–1000 NTU (FNU)
Precisão	±2% de leitura mais luz espúria de 0–1000 NTU (FNU)
Repetibilidade	±1% de leitura ou 0,01 NTU (FNU), o que for maior
Resolução	0,01 NTU na menor faixa
Luz espúria	≤ 0,02 NTU (FNU)
Média de sinal	Ligar ou desligar (selecionável)
Detector	Fotocélula
Modos de leitura	Normal (Pressione para Ler), Média de sinal ou Rapidly Settling Turbidity™
Opções de calibração	RapidCal™ de etapa única para relatório normativo de baixo nível de 0–40 NTU (FNU) Calibração de faixa completa de 0–1000 NTU (FNU) Calibração dos graus de turbidez
Registro de calibração	Registra as últimas 25 calibrações bem-sucedidas
Registro de verificação	Registra as últimas 250 verificações bem-sucedidas
Registro de dados	500 registros

Especificação	Detalhes
Fonte de alimentação	100–240 VCA , 50/60 Hz (com o módulo de força ou o de força/USB) 4 baterias alcalinas AA Bateria NiMH recarregável (para uso com o módulo de força/USB)
Condições de operação	Temperatura: 0 a 50 °C (32 a 122 °F) Umidade relativa: 0–90% a 30 °C, 0–80% a 40 °C, 0–70% a 50 °C, sem condensação
Condições de armazenamento	–40 a 60 °C (–40 a 140 °F), apenas o instrumento
Interface	USB opcional
Amostra obrigatória	15 ml (0,5 oz)
Cubetas de amostra	Cubetas cilíndricas 60 x 25 mm (2,36 x 1 pol.) de vidro borossilicato com tampas rosqueadas
Dimensões	22,9 x 10,7 x 7,7 cm (9,0 x 4,2 x 3,0 pol.)
Peso	530 g (1,17 lb) sem as baterias 620 g (1,37 lb) com 4 baterias alcalinas AA
Classificação da carcaça do medidor	IP67 (tampa fechada, compartimento dos módulos e bateria excluídos)
Classe de proteção	Fonte de alimentação: Classe II
Certificação	Certificação CE
Garantia	1 ano (EU: 2 anos)

## Informações gerais

Em hipótese alguma o fabricante será responsável por danos diretos, indiretos, especiais, incidentais ou consequenciais resultantes de qualquer defeito ou omissão neste manual. O fabricante reserva-se o

direito de fazer alterações neste manual e nos produtos aqui descritos a qualquer momento, sem aviso ou obrigação. As edições revisadas podem ser encontradas no sítio do fabricante na Web.

## Informações de segurança

Leia todo o manual antes de tirar da embalagem, montar ou operar esse equipamento. Preste atenção a todas as declarações de perigo e cuidado. Caso contrário, o operador poderá sofrer ferimentos graves ou o equipamento poderá ser danificado.




Certifique-se de que a proteção oferecida para este equipamento não seja afetada, não use nem instale este equipamento de nenhuma outra forma além da especificada neste manual.

## Uso de informações de risco

 <b>PERIGO</b>
Indica uma situação potencial ou iminentemente perigosa que, se não for evitada, resultará em morte ou lesão grave.
 <b>ADVERTÊNCIA</b>
Indica uma situação potencial ou iminentemente perigosa que, se não for evitada, poderá resultar em morte ou lesão grave.
 <b>CUIDADO</b>
Indica uma situação potencialmente perigosa que pode resultar em ferimento leve a moderado.
<b>AVISO</b>
Indica uma situação que, se não for evitada, pode causar danos ao instrumento. Informações que necessitam de uma ênfase especial.

## Etiquetas de precaução

Leia todas as etiquetas e rótulos fixados no instrumento. Caso não sejam observadas, podem ocorrer lesões pessoais ou danos ao instrumento. Se for observado algum símbolo no instrumento, haverá uma declaração de cuidado ou perigo no manual.

	Este é o símbolo de alerta de segurança. Acate todas as mensagens de segurança que seguem este símbolo a fim de evitar lesões potenciais. Se o símbolo estiver no instrumento, consulte o manual de instruções para obter informações sobre a operação ou segurança.
	Este símbolo indica que existe um risco de choque elétrico ou de eletrocução.
	Equipamento elétrico marcado com este equipamento não pode ser descartado em sistemas de lixo público Europeu após 12 de agosto de 2005. Em conformidade com os regulamentos nacionais e locais Europeus (Diretriz EU 2002/96/EC), os usuários de equipamentos elétricos devem retornar agora equipamento antigo ao Produtor para descarte sem custo ao usuário. <i>Observação: Para o envio de equipamento para reciclagem, entre em contato com o fabricante ou fornecedor do equipamento para obter instruções sobre o envio de sucata de equipamento, acessórios elétricos fornecidos pelo fabricante e todos os itens auxiliares para um descarte adequado.</i>

## Certificação

### Canadian Radio Interference-Causing Equipment Regulation (Regulamentação para equipamentos de rádio causadores de interferência do Canadá), IECs-003, Classe A:

Os registros de testes de comprovação encontram-se com o fabricante.

Este aparelho digital Classe A atende a todos os requisitos de regulamentações canadenses sobre equipamentos que causam interferências.

Cet appareil numérique de la classe A respecte toutes les exigences du Règlement sur le matériel brouilleur du Canada.

### FCC parte 15, limites Classe "A"

Os registros de testes de comprovação encontram-se com o fabricante. O dispositivo está em conformidade com a Parte 15 das Regras da FCC. A operação está sujeita às seguintes condições:

1. O equipamento não deve causar interferência prejudicial.

- O equipamento deve aceitar todas as interferências recebidas, inclusive interferências que podem causar funcionamento indesejado.

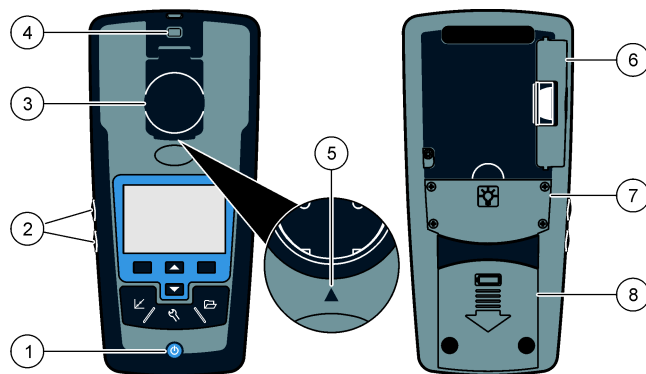
Alterações ou modificações a este equipamento não aprovadas expressamente pela parte responsável pela conformidade podem anular a autoridade do usuário de operar o equipamento. Este equipamento foi testado e está em conformidade com os limites de dispositivo digital Classe A, de acordo com a Parte 15 das Regras da FCC. Esses limites foram estabelecidos para proporcionar uma razoável proteção contra interferências nocivas quando o equipamento for operado em ambientes comerciais. Este equipamento gera, utiliza e pode irradiar energia de rádio-freqüência e, se não instalado e usado de acordo com o manual de instruções, pode causar interferências prejudiciais às comunicações de rádio. É provável que o funcionamento deste equipamento em área residencial possa causar interferência indesejada, caso em que o usuário será solicitado a corrigir a interferência por conta própria. As seguintes técnicas podem ser usadas para reduzir problemas de interferência:

- Desconecte o equipamento de sua fonte de alimentação para verificar se ele é ou não a origem da interferência.
- Se o equipamento está conectado à mesma tomada do dispositivo que está sofrendo interferência, conecte o equipamento a uma tomada diferente.
- Afaste o equipamento do dispositivo que estiver recebendo a interferência.
- Reposicione a antena de recebimento do dispositivo que está sofrendo interferência.
- Tente algumas combinações das opções acima.

### Visão geral do produto

Os turbidímetros portáteis 2100Q e 2100Q<sub>is</sub> medem a turbidez de 0 a 1000 NTU (FNU). Destinado principalmente para uso em campo, o medidor portátil funciona com quatro baterias AA. Os dados podem ser armazenados e transferidos para uma impressora, um computador ou um dispositivo USB de armazenamento.

**Figura 16** Visão geral do produto

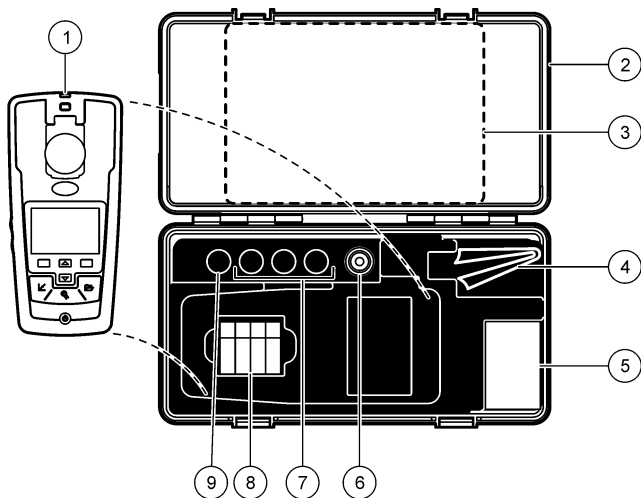


1 Liga/desliga	5 Seta de alinhamento
2 Teclas da luz de fundo (+ e -)	6 Módulo
3 Suporte para cubeta de amostra com tampa	7 Compartimento da lâmpada
4 Fixação para correia	8 Compartimento da bateria

### Componentes do produto

Consulte a [Figura 17](#) para certificar-se de que todos os componentes foram recebidos. Se qualquer destes itens estiver faltando ou danificado, entre em contato com o fabricante ou representante de vendas imediatamente.

Figura 17 componentes do 2100Q e 2100Qis



1 Turbidímetro 2100Q ou 2100Qis	6 Óleo de silicone
2 Maleta	7 Padrões de calibração StablCal de 20, 100 e 800 NTU
3 Manual do usuário, Guia de referência rápida e CD-ROM	8 Baterias AA alcalinas (emb. c/4)
4 Pano de lubrificação	9 Padrão de verificação StablCal de 10 NTU
5 Cubeta de amostra de 1" (10 ml) com tampa (emb. c/6)	

## Instalação

### ⚠ CUIDADO

Risco de lesão corporal. Somente pessoal qualificado deve realizar as tarefas descritas nesta seção do manual.

## Instale a bateria

### ⚠ ADVERTÊNCIA

Risco potencial de incêndio. Use somente baterias alcalinas ou de níquel-hidreto metálico (NiMH) no medidor. Outros tipos de bateria ou a instalação incorreta podem provocar um incêndio. Nunca misture tipos diferentes de baterias no medidor.

### AVISO

O compartimento de bateria não é à prova de água. Se o compartimento de bateria ficar úmido, remova e seque as baterias, além de secar completamente o interior do compartimento. Verifique se há corrosão nos contatos da bateria e limpe-os, se necessário.

### AVISO

Ao usar baterias de níquel-hidreto metálico (NiMH), o ícone de bateria não indicará a carga completa após a inserção de baterias carregadas recentemente (as baterias NiMH são de 1,2 V em comparação com os 1,5 V das baterias alcalinas). Mesmo que o ícone não indique a carga completa, as baterias NiMH de 2500 mAh alcançarão 90% da duração da operação do instrumento (antes da recarga) em comparação com baterias alcalinas novas.

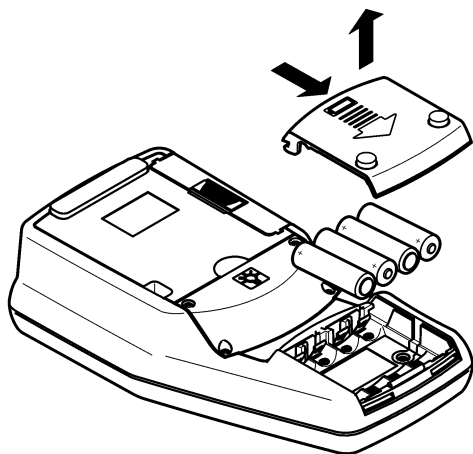
O medidor pode ser alimentado com baterias AA alcalinas ou de NiMH recarregáveis. Para preservar a duração da bateria, o medidor desligará após 10 minutos de inatividade, a luz de fundo apaga após 30 segundos. Este período pode ser alterado no menu de gerenciamento de energia.

**Observação:** As baterias recarregáveis só serão carregadas com o módulo de força/USB. Consulte a documentação do módulo para obter informações adicionais.

Para informações sobre a instalação da bateria consulte a [Figura 18](#).

1. Remova a tampa da bateria.
2. Instale 4 baterias AA alcalinas ou de níquel-hidreto metálico (NiMH). Certifique-se de que as baterias estão instaladas na posição correta.
3. Recoloque a tampa da bateria.

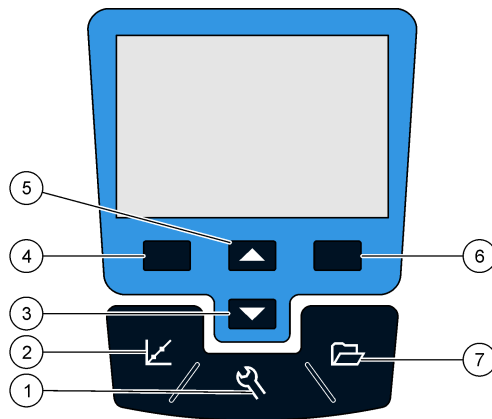
Figura 18 Instalação da bateria



## Interface do usuário e navegação

### Interface do usuário

Figura 19 Descrição do teclado numérico



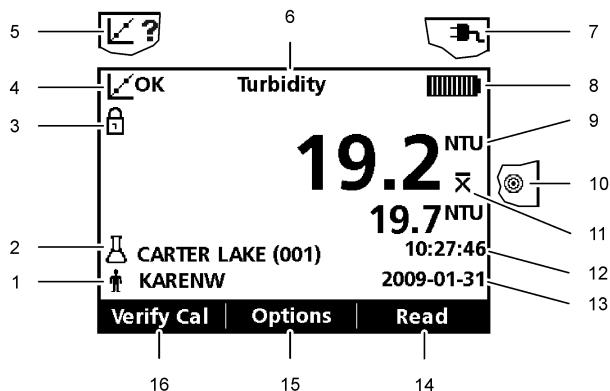
1 Tecla <b>CONFIGURAÇÕES</b> : seleciona opções de menu para configurar o medidor	5 Tecla <b>PARA CIMA</b> : navegue através de menus, insira números e letras
2 Tecla <b>CALIBRAÇÃO</b> : mostra a tela de calibração, inicia a calibração, seleciona as opções de calibração	6 Tecla <b>DIREITA</b> : leitura da amostra de turbidez, seleciona ou confirma opções, abre/salta para submenus
3 Tecla <b>PARA BAIXO</b> : navegue através de menus, insira números e letras	7 Tecla <b>GERENCIAMENTO DE DADOS</b> : exiba, exclua ou transfira dados armazenados
4 Tecla <b>ESQUERDA</b> : acesso para a verificação de calibração, cancela ou sai da tela do menu atual para voltar a tela do menu anterior	



## Descrição da tela

A tela de medição mostra a turbidez, a unidade, o status da calibração, data e hora, a identificação do operador (se configurado) e a identificação da amostra (se configurado). Consulte a [Figura 20](#).

**Figura 20** Exibição em tela única



1 Identificação do operador	9 NTU (unidade de turbidez nefelométrica) ou FNU (unidade de turbidez Formazin)
2 Identificação da amostra	10 Modo de leitura: Rapidly Settling Turbidity (ícone alvo)
3 Indicador de estabilidade ou de travamento da exibição	11 Modo de leitura: Média de sinal (ícone barra X)
4 Indicador do status da calibração (Calibração OK=aprovada)	12 Hora
5 Indicador do status da calibração (Calibração ?=falhou)	13 Data
6 Parâmetro	14 Ler (contexto: OK, Selecionar)
7 Ícone de energia CA	15 Opções (contexto)
8 Ícone de bateria	16 Verificação de calibração

## Navegação

O medidor tem um menu de Configurações, um menu de Opções de leitura, um menu de Opções de calibração e um menu de Opções de verificação de calibração para alterar várias opções. Use as teclas **PARA CIMA** e **PARA BAIXO** para realçar diferentes opções. Pressione a tecla **DIREITA** para selecionar uma opção. Há duas maneiras de alterar as opções:

1. Selecione uma opção de uma lista: Use as teclas **PARA CIMA** e **PARA BAIXO** para selecionar uma opção. Se caixas de seleção são exibidas, mais de uma opção pode ser selecionada. Pressione a tecla **ESQUERDA** abaixo de Selecionar.

**Observação:** Para desmarcar as caixas de seleção, pressione a tecla **ESQUERDA** abaixo de Desmarcar.

2. Insira uma opção usando as teclas de seta: Pressione as teclas **PARA CIMA** e **PARA BAIXO** para inserir ou alterar um valor.
3. Pressione a tecla **DIREITA** para avançar até o próximo espaço.
4. Pressione a tecla **DIREITA** abaixo de **OK** para aceitar o valor.

## Início de operação

### Ligue ou desligue o medidor

Pressione a tecla **ON/OFF** para ligar ou desligar o medidor. Se o medidor não ligar, certifique-se de que as baterias, ou o módulo, estão corretamente instaladas, ou que a fonte de alimentação CA está devidamente conectada a uma tomada elétrica.

**Observação:** A opção *Desligamento automático* também pode ser usada para desligar o medidor. Para obter mais informações, consulte a versão completa deste manual no CD.

### Altere o idioma

Há três opções de ajuste do idioma:

- O idioma da tela é selecionado quando o medidor é ligado pela primeira vez.

- O idioma da tela é selecionado quando a tecla liga/desliga é pressionada e mantida pressionada.
- O idioma pode ser alterado no menu Configurações.

1. Selecione um idioma da lista. Confirme com **OK**.
2. Pressione **Concluído** quando a atualização for completada.

## Altere a data e a hora

A data e a hora podem ser mudadas no menu Data e Hora.

1. Pressione a tecla **CONFIGURAÇÕES** e selecione Data e Hora.
2. Atualize as informações de data e hora:

Opção	Descrição
<b>Formato</b>	Selecione um dos formatos de data e hora: aaaa-mm-dd 24h aaaa-mm-dd 12h dd-mm-aaaa 24h dd-mm-aaaa 12h mm/dd/aaaa 24h mm/dd/aaaa 12h
<b>Data</b>	Insira a data atual
<b>Tempo</b>	Insira a hora atual

A data e a hora atuais serão mostradas na tela.

Após o ajuste da data e hora, o medidor está pronto para fazer uma leitura.

## Operações padrões

### Use uma identificação da amostra

A etiqueta de identificação da amostra é usada para associar leituras ao local de uma amostra específica. Se especificado, os dados armazenados incluirão esta identificação.

1. Selecione **ID da amostra** no menu Configurações.
2. Selecione, crie ou exclua uma identificação de amostra:

Opção	Descrição
<b>ID atual</b>	Selecione uma identificação de uma lista. A identificação atual estará associada aos dados da amostra até que uma identificação diferente seja selecionada.
<b>Criar um novo ID de amostra</b>	Digite um nome para a nova identificação de amostra.
<b>Excluir ID de amostra</b>	Exclua uma identificação de amostra existente.

### Use uma identificação do operador

A etiqueta de identificação do operador é usada para associar leituras a um único operador. Todos os dados armazenados incluirão esta identificação.

1. Selecione **ID do operador** no menu Configurações.
2. Selecione, crie ou exclua uma identificação de operador:

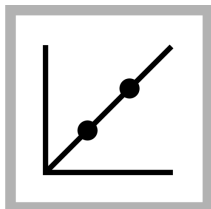
Opção	Descrição
<b>ID atual</b>	Selecione uma identificação de uma lista. A identificação atual estará associada aos dados da amostra até que V diferente seja selecionada.
<b>Criar um novo ID de operador</b>	Digite um nome para a nova identificação de operador (um máximo de 10 nomes pode ser digitado).
<b>Excluir ID de operador</b>	Exclua uma identificação de operador existente.

## Operações avançadas

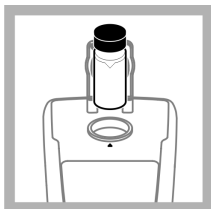
### Calibre o turbidímetro com padrões de calibração StabCal®

**Observação:** Para uma maior precisão use a mesma cubeta de amostra ou quatro cubetas de amostra emparelhadas para todas as leituras durante a calibração. Insira a cubeta de amostra no compartimento de cubeta do instrumento de forma que o

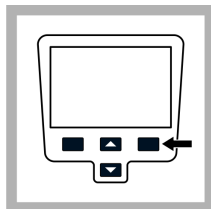
diamante ou a marca de orientação fique alinhada com a marca de orientação em relevo na frente do compartimento de cubeta.



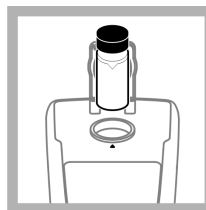
1. Pressione a tecla **CALIBRAÇÃO** para entrar no modo de Calibração. Siga as instruções na tela.  
**Observação:** Inverta gentilmente cada padrão antes de inseri-lo.



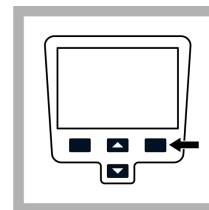
2. Insira o padrão StablCal de 20 NTU e feche a tampa.  
**Observação:** O padrão a ser inserido é limitado.



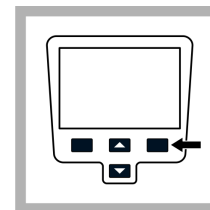
3. Pressione **Ler**. A tela mostra a mensagem "Estabilizando" e, em seguida, mostra o resultado.



4. Repita as etapas 2 e 3 com o padrão StablCal de 100 NTU e de 800 NTU.  
**Observação:** Pressione **Concluído** para concluir uma calibração de 2 pontos.





5. Pressione **Concluído** para examinar os detalhes da calibração.



6. Pressione **Armazenar** para salvar os resultados. Após concluir a calibração, o medidor entra automaticamente no modo Verificar calibração. Para obter mais informações, consulte a versão completa deste manual no CD.

## Modos de leitura

1. Pressione a tecla **PARA CIMA** ou **PARA BAIXO** para entrar no menu Opções de leitura.
2. Selecione Modo de leitura para selecionar uma das seguintes opções:

Opção	Descrição
<b>Normal (configuração padrão)</b>	O modo normal faz a leitura e apura a média de três leituras. O resultado é mostrado após a leitura.
<b>Média de sinal</b> 	<p>O modo da Média de sinal compensa as flutuações de leitura provocadas por deslocamento de partículas da amostra através do feixe de luz.</p> <p>O ícone de barra X é mostrado na tela quando a média de sinal está ativada.</p> <p>O modo de Média de sinal faz 12 medições e começa a mostrar a média após três leituras. O resultado final é a média de todas as 12 leituras.</p>
<b>Rapidly Settling Turbidity™ (RST)</b> 	<p>O modo Rapidly Settling Turbidity (RST) calcula e atualiza continuamente a leitura de turbidez da amostra com uma confiabilidade de 95%, com base na tendência acumulada dos valores medidos em tempo real.</p> <p>O modo RST é melhor usado em amostras que sedimentam rapidamente e que mudam continuamente de valor. A leitura é baseada em uma amostra corretamente preparada que está homogênea no início da leitura. É melhor aplicado em amostras acima de 20 NTU. A amostra deve estar perfeitamente misturada por inversão imediatamente antes de ser inserida no medidor.</p> <p>O ícone de alvo é mostrado na tela quando o modo Rapidly Settling Turbidity está ativado.</p> <p>O modo Rapidly Settling Turbidity lê e calcula cinco leituras enquanto mostra resultados intermediários.</p>

## Manutenção

### CUIDADO

Risco de lesão corporal. Somente pessoal qualificado deve realizar as tarefas descritas nesta seção do manual.

## Limpe o medidor

O medidor é projetado para não necessitar de manutenção e não requer limpeza regular em sua operação normal. As superfícies externas do medidor podem ser limpas conforme a necessidade.

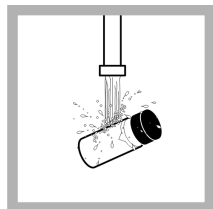
**Observação:** Não limpe o medidor com solventes para não danificar o material.

1. Limpe o medidor com um pano seco ou levemente umedecido, sem poeira ou fiapos. Uma solução de sabão suave também pode ser usada para retirar contaminação lipossolúvel.

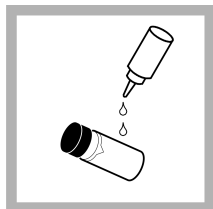
## Aplique óleo de silicone a uma cubeta de amostra

As cubetas de amostra e as tampas devem estar extremamente limpas e livres de arranhões significativos. Aplique uma fina camada de óleo de silicone no exterior das cubetas de amostra para cobrir pequenas imperfeições e riscos que podem contribuir para dispersão de luz.

**Observação:** Use somente o óleo de silicone fornecido. Este óleo de silicone tem o mesmo índice refrativo do vidro da cubeta de amostra.



1. Limpe o interior e o exterior das cubetas e das tampas com um detergente de limpeza para vidro de laboratório. Em seguida, enxágue diversas vezes com água destilada ou desmineralizada.



2. Aplique uma pequena quantidade de óleo de silicone do topo até a base da cubeta.



3. Use o pano de lubrificação fornecido para espalhar o óleo uniformemente. Retire o excesso de forma que permaneça somente uma fina camada de óleo. Certifique-se de que a cubeta de amostra está quase seca com pouco ou nenhum óleo visível.

**Observação:** Guarde o pano de lubrificação em um saco plástico para mantê-lo limpo.

## Guarde as cubetas de amostra

### AVISO

Não seque ao ar as cubetas de amostra.

**Observação:** Sempre guarde as cubetas de amostra com tampas para evitar que sequem.

1. Encha as cubetas de amostra com água destilada ou desmineralizada.
2. Tampe e guarde as cubetas de amostra.
3. Limpe e seque o exterior das cubetas de amostra com um pano macio.

## Substitua a bateria

### ⚠ ADVERTÊNCIA

Risco potencial de incêndio. Use somente baterias alcalinas ou de níquel-hidreto metálico (NiMH) no medidor. Outros tipos de bateria ou a instalação incorreta podem provocar um incêndio. Nunca misture tipos diferentes de baterias no medidor.

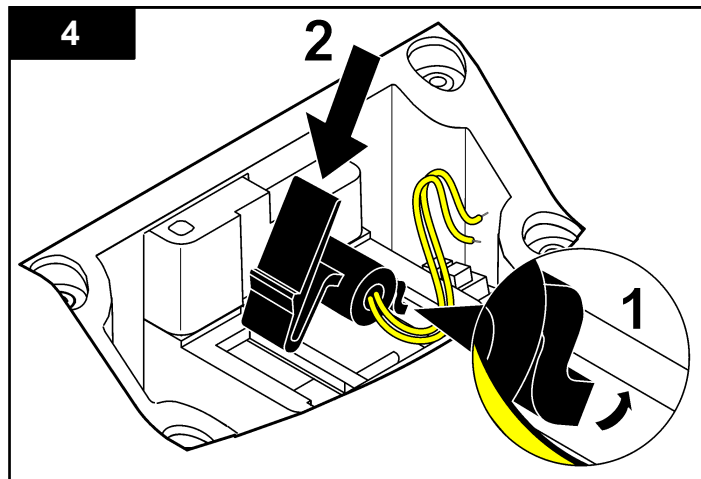
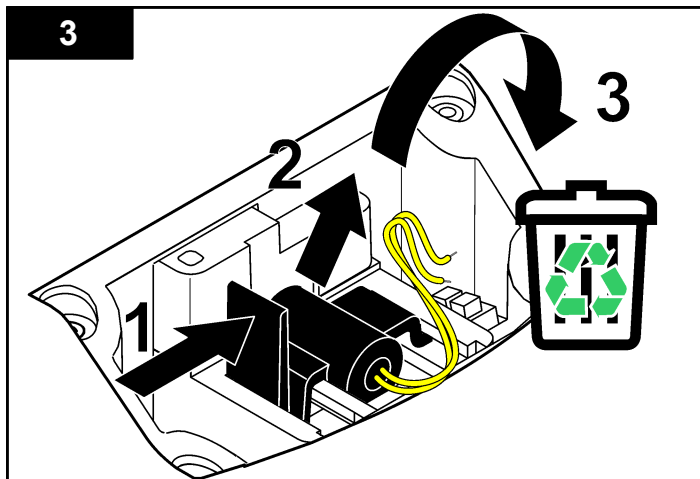
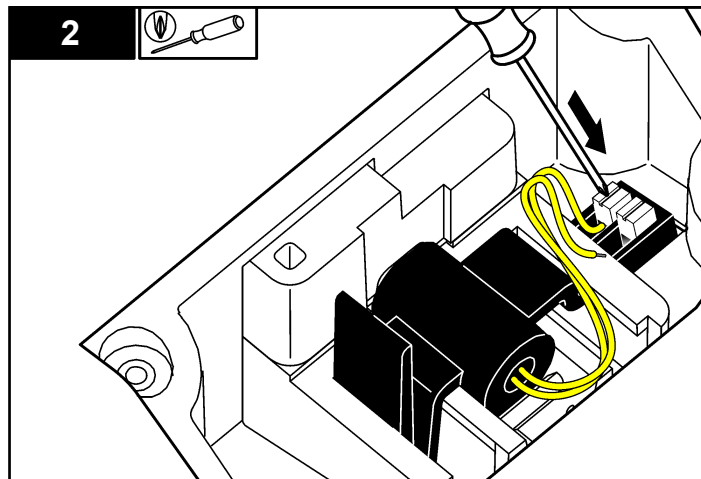
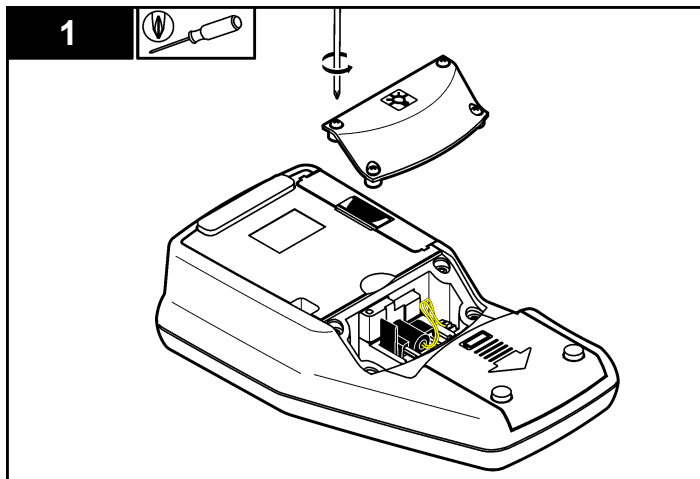
Para informações sobre substituição de bateria consulte a [Figura 18](#) na página 48.

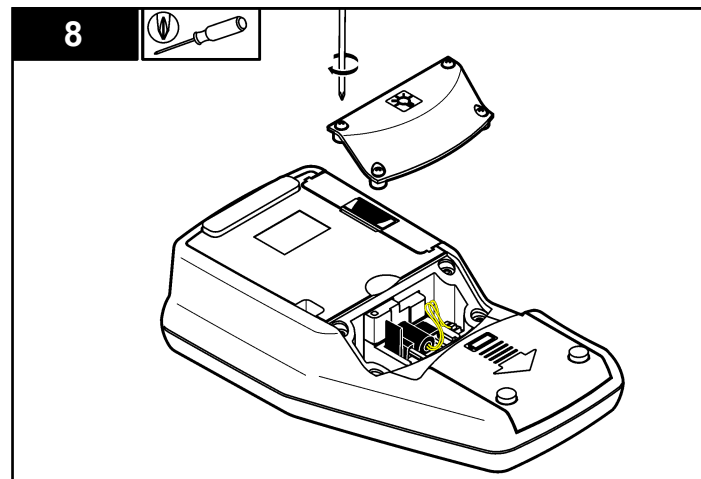
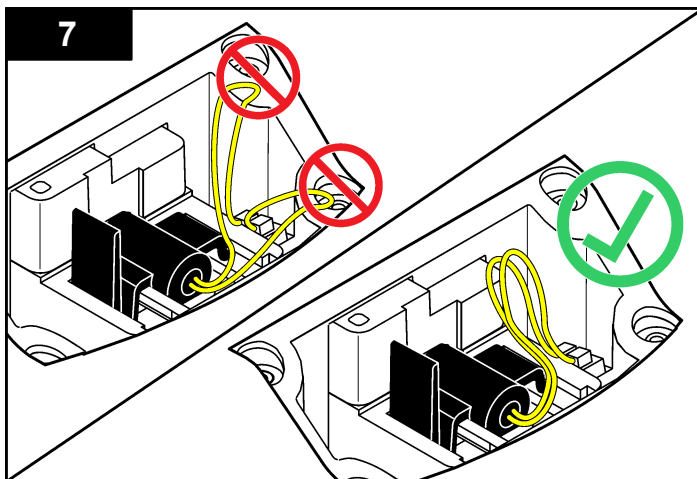
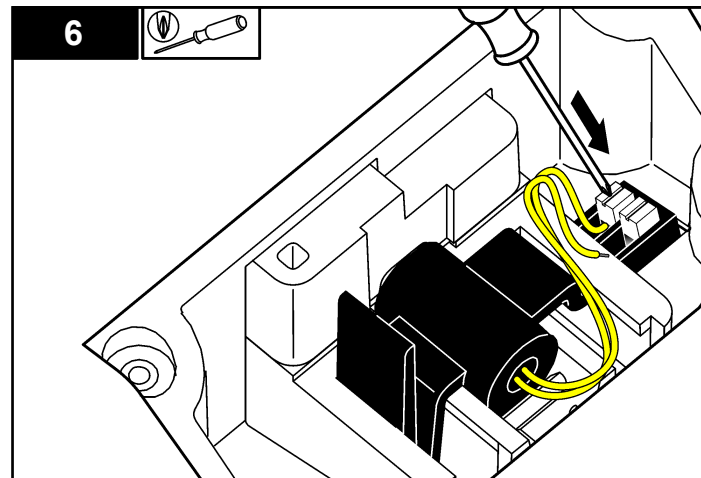
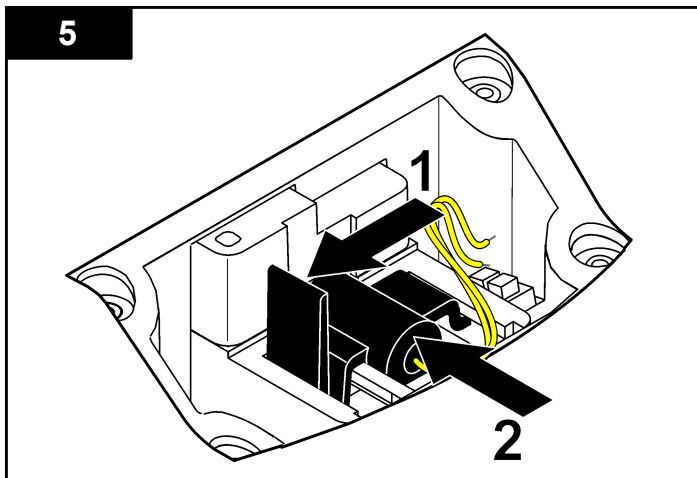
1. Remova a tampa da bateria.
2. Remova as baterias.
3. Instale 4 baterias AA alcalinas ou de níquel-hidreto metálico (NiMH). Certifique-se de que as baterias estão instaladas na posição correta.
4. Recoloque a tampa da bateria.

## Substitua a lâmpada

### ⚠ CUIDADO

Risco de queimadura. Espere até a lâmpada esfriar. Contato com a lâmpada quente pode causar queimaduras.





## Resolução de problemas

Consulte a tabela a seguir com relação a sintomas e mensagens de problemas comuns, possíveis causas e ações corretivas.

Erro/Advertência	Descrição	Solução
<b>Fechete a tampa e pressione Ler.</b>	A tampa está aberta ou a detecção da tampa falhou.	Certifique-se de que a tampa está fechada durante a leitura e leia novamente.
<b>Bateria fraca!</b>	A bateria está fraca.	<ul style="list-style-type: none"> <li>• Insira baterias novas</li> <li>• Conecte o módulo de força/USB se for usar baterias recarregáveis</li> </ul>
<b>ADC Failure (Falha do ADC)!</b>	Erro de hardware causando falha na leitura.	Repita a leitura.
<b>Sinal detector muito baixo!</b>	Luz insuficiente no detector de 180°.	<ul style="list-style-type: none"> <li>• Verifique se há obstrução no feixe de luz.</li> <li>• Verifique a lâmpada.</li> </ul>
<b>Acima da faixa!</b>	Turbidez elevada causada provavelmente por calibrar somente com RapidCal™.	<ul style="list-style-type: none"> <li>• Calibre a faixa superior.</li> <li>• Dilua a amostra.</li> </ul>
<b>Abaixo da faixa!</b>	A absorbância medida está abaixo da faixa de calibração.	Repita a calibração
<b>Verifique a lâmpada!</b>	Os sinais estão muito baixos no detector de 90° e de 180°.	<p><b>2100Q</b> A lâmpada está com defeito. Troque a lâmpada (consulte <a href="#">Substitua a lâmpada</a> na página 53).</p> <p><b>2100Qis:</b> Faça contato com o suporte técnico.</p>

Erro/Advertência	Descrição	Solução
<b>Temperatura está muito alta! Desligue o instrumento.</b>	A temperatura ultrapassou os limites do medidor (>60 °C ou >140 °F).	Desligue o medidor e deixe-o esfriar.
<b>RST: Valor médio!</b>	Os sólidos estão sedimentando muito lentamente. O modo de leitura não é adequado para esta amostra.	Selecione o modo de leitura Normal ou Média de sinal.
<b>Nível confiabilidade &lt; 95%</b>	O modo de leitura Rapidly Settling Turbidity não atingiu a faixa de confiança ≥ 95%.	<ul style="list-style-type: none"> <li>• Inverta a amostra diversas vezes de forma que os sólidos sejam distribuídos. Repita a leitura novamente.</li> <li>• Alterne para o modo de leitura Normal se a amostra estiver estável e não tiver sólidos sedimentáveis.</li> </ul>
<b>Valor padrão fora do intervalo. Insira o padrão e pressione Ler</b>	Foi usado um valor padrão incorreto para a leitura.	Insira o padrão apropriado e leia novamente.
<b>ID já em uso. Insira um novo ID</b>	A identificação do operador ou da amostra está indisponível uma vez que já foi utilizada.	Crie uma nova identificação.
<b>Erro - Segurança Defina uma senha antes de ativar a segurança</b>	Nenhuma senha foi criada.	Crie uma nova senha
<b>Insira no mínimo 1 caractere.</b>	A senha deve ter, no mínimo, um caractere.	Crie uma senha com ao menos um caractere.
<b>Senha incorreta. Tente novamente.</b>	Uma senha incorreta foi inserida.	Insira a senha correta.



<b>Erro/Advertência</b>	<b>Descrição</b>	<b>Solução</b>
<b>Desconecte o cabo USB de seu computador.</b>	O armazenamento de dados não responde quando está conectado ao medidor e ao computador.	Desconecte o cabo USB do medidor e tente enviar os dados novamente.
<b>Memória do mód. USB cheia. Exclua dados e tente novamente.</b>	O armazenamento de dados está cheio.	<ol style="list-style-type: none"> <li>1. Conecte o módulo de força/USB ao computador.</li> <li>2. Baixe os dados armazenados para o computador.</li> <li>3. Exclua o registro de dados no módulo.</li> </ol>
<b>Ocorreu uma falha ao excluir a última leitura!</b>	Erro no armazenamento de dados.	Desligue e religue o medidor. Se a mensagem de erro ainda for exibida, contate o suporte técnico.
<b>Ocorreu uma falha ao excluir o registro de dados!</b>		
<b>Não foi possível ler o conjunto de dados!</b>		
<b>Impossível armazenar dados!</b>		
<b>Impossível armazenar no registro de leitura!</b>		
<b>Impossível armazenar no registro de verificação de calibração!</b>		
<b>Erro ao armazenar os dados!</b>		
<b>Erro ao ler os dados!</b>		

## 规格

产品规格如有变化，恕不另行通知。

规格	详细说明
测量方法	使用主要的散射光度散射信号 (90°) 与透射光散射信号确定比浊。
规章	<b>2100Q:</b> 符合 EPA 180.1 方法 <b>2100Qis:</b> 符合 ISO 7027
灯源	<b>2100Q:</b> 钨丝灯 <b>2100Qis:</b> 860 nm 的发光二极管 (LED)
范围	0–1000 NTU (FNU)
精度	±2% 读数加杂散光 (0–1000 NTU) (FNU)
可重复性	±1% 读数或 0.01 NTU (FNU), 以较大者为淮
分辨率	0.01 NTU (最低量程下)
杂散光	≤ 0.02 NTU (FNU)
信号平均	可选择开启或关闭
检测器	硅光电二极管
读数模式	常规 (按下即读取)、信号平均或 Rapidly Settling Turbidity™
校准选项	低水平管制报告的单步式 RapidCal™ (0–400 NTU) (FNU) 满量程校准 (0–1000 NTU) (FNU) 校准浊度
校准记录器	记录上 25 次成功校准
验证记录器	记录上 250 次成功验证
数据记录器	500 条记录
电源要求	交流电 100–240V, 50/60 Hz (带电源或 USB/电源模块) 4 节 AA 碱性电池 充电式镍氢电池 (配合 USB/电源模块一同使用)

规格	详细说明
工作条件	温度: 0 至 50 °C (32 至 122 °F) 相对湿度: 在 30 °C 时 0–90%, 在 40 °C 时 0–80%, 在 50 °C 时 0–70%, 无冷凝
储存条件	-40 至 60 °C (-40 至 140 °F) (仅限仪器)
接口	可选 USB
所需试样	15 mL (0.5 oz.)
试样容器	圆形容器 60 x 25 mm (2.36 x 1 英寸) 硼硅玻璃, 带螺帽
尺寸	22.9 x 10.7 x 7.7 cm (9.0 x 4.2 x 3.0 英寸)
重量	530 g (1.17 lb), 不含电池 620 g (1.37 lb), 含 4 节 AA 碱性电池
仪表封装等级	IP67 (不包括连接的盖子、电池和模块室)
保护等级	电源: 二级
认证	通过 CE 认证
保修	1 年 (EU: 2 年)

## 基本信息

对于因本手册中的任何不足或遗漏造成的直接、间接、特别、附带或结果性损失，制造商概不负责。制造商保留随时更改本手册和手册中描述的产品权利，如有更改恕不另行通知或承担有关责任。修订版可在制造商的网站上找到。

## 安全信息

请在拆开本设备包装、安装或使用本设备前，完整阅读本手册。特别要注意所有的危险警告和注意事项。否则，可能会对操作者造成严重的人身伤害，或者对设备造成损坏。




要确保本设备所提供的防护措施不受破坏，请不要使用本手册规定之外的方法来安装或者使用本设备。

## 危险信息使用

<b>▲ 危险</b>
表示潜在的或紧急的危险情况，如果不加以避免，将会导致死亡或严重伤害。
<b>▲ 警告</b>
指示潜在或紧急的危险情况，如果不加以避免，将导致死亡或严重的伤害。
<b>▲ 警告</b>
表示潜在的危险情形，可能导致一定程度的人身伤害。
<b>注意</b>
指示如不加以避免则会导致仪器损坏的情况。需要特别强调的信息。

### 警告标签

请阅读贴在仪器上的所有标签和标记。如未遵照这些安全标签的指示操作，则可能造成人身伤害或仪器损坏。仪器上如有标志，则手册中会提供危险或小心说明。

	这是安全警报标志。请遵守此标志后面的所有安全信息，以避免可能造成的伤害。如果仪器上有此标志，则请参见仪器手册，了解操作或安全信息。
	此标志指示存在电击和/或电死危险。
	<p>2005年8月12日后，标有该标志的电气设备可能不由欧洲公共处理系统进行处理。为遵守欧洲本地和国家法规的规定（EU指令2002/96/EC），欧洲电气设备用户现在必须将旧的或使用寿命到期的设备退回给生产商以进行处理（不向用户收取任何费用）。</p> <p><b>注：</b>如果退回产品是为了进行再循环，请联系设备生产商或供应商，索取如何退回使用寿命到期的设备、生产商提供的电气附件以及所有辅助部件的说明，以便进行适当处理。</p>

### 认证

**加拿大无线电干扰产生设备法规（Canadian Radio Interference-Causing Equipment Regulation），IECS-003，A类：**

制造商支持测试记录留存。

此A类数字设备符合加拿大干扰产生设备法规的所有要求。

Cet appareil numérique de la classe A respecte toutes les exigences du Règlement sur le matériel brouilleur du Canada.

### FCC 第15部分，“A”类限制

制造商支持测试记录留存。该设备符合FCC规定第15部分的要求。设备操作满足以下两个条件：

1. 本设备不会造成有害干扰。
2. 本设备必须接受任何接收到的干扰，包括可能导致意外操作的干扰。

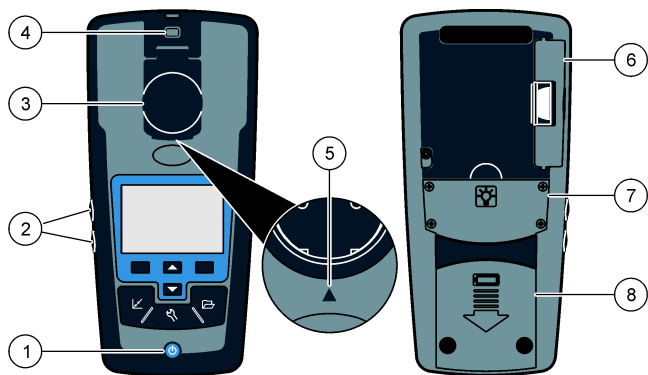
若未经负责出具符合声明的一方明确同意擅自对本设备进行改动或改装，可能会导致取消用户操作该设备的权限。本设备已经过测试，符合FCC规定第15部分中确定的A类数字设备限制。这些限制专门提供当设备在商业环境下工作时针对有害干扰的合理保护。该设备产生、使用和放射无线电射频能量，如果不按照说明手册的要求对其进行安装和使用，可能会对无线电通讯造成有害干扰。本设备在居民区工作时可能会产生有害干扰，这种情况下用户须自行承担费用消除这种干扰。以下方法可用于减少干扰问题：

1. 断开设备的电源，以便确定它是干扰源与否。
2. 如果设备与遭受干扰的仪器连接到相同的插座，将设备连接到其他插座。
3. 将设备从接受干扰的仪器边上移开。
4. 重新定位受干扰仪器的接收天线。
5. 同时尝试以上多项措施。

### 产品概述

2100Q和2100Qis便携式浊度计可测量的浊度范围介于0至1000 NTU (FNU) 之间。该便携式仪表可由四节AA电池供电，主要用于现场使用。数据可保存并传输到打印机、计算机或USB存储设备。

图 21 产品概述

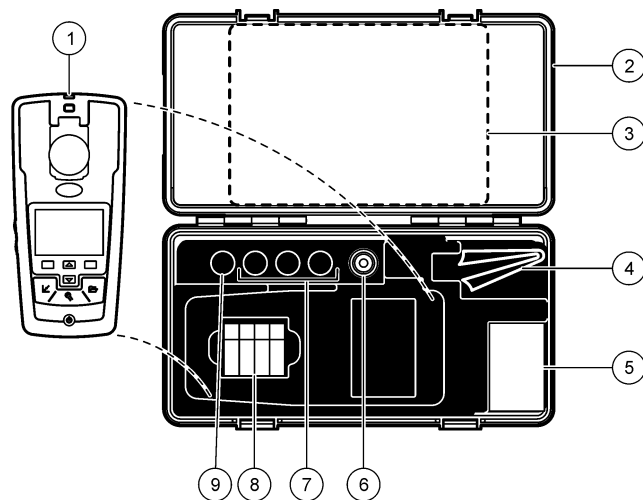


1 开启或关闭	5 对齐箭头
2 背光键 (+ 和 -)	6 模块
3 带盖子的试样容器支架	7 灯孔
4 系索接头	8 电池盒

### 产品组件

请参阅图 22，确保已收到所有组件。这些物品如有任何缺少或损坏，请立即与厂家或销售代表联系。

图 22 2100Q 和 2100Qis 组件



1 2100Q 或 2100Qis 浊度计	6 硅油
2 携带箱	7 20、100 和 800 NTU StablCal 校准标准液
3 用户手册、快速参考指南和 CD 光盘	8 AA 碱性电池 (pk/4)
4 油布	9 StablCal 10 NTU 验证标准液
5 1" 英寸试样容器 (10 mL)，带保护盖 (pk/6)	

### 安装

#### 警告

存在人身伤害危险。只有合格的专业人员，才能从事手册此处所述的工作。

## 安装电池

### 警告

可能存在火灾危险。仪表中仅限使用碱性或镍氢 (NiMH) 电池。使用其他电池类型或安装不当均可能导致火灾。切勿在仪表中将各种电池型号混用。

### 注意

电池盒不防水。如果电池盒弄湿，取下并擦干电池，且彻底擦干电池盒的内部。检查电池接点是否腐蚀，如果需要则清洁电池接点。

### 注意

使用镍氢 (NiMH) 电池时，在装入刚充好电的电池（镍氢电池为 1.2V，而碱性电池为 1.5V）后，电池图标不会显示完全充电。即使图标不会显示完全充电，但与新碱性电池相比，2500 mAh 镍氢电池将实现 90% 仪器操作使用时间。

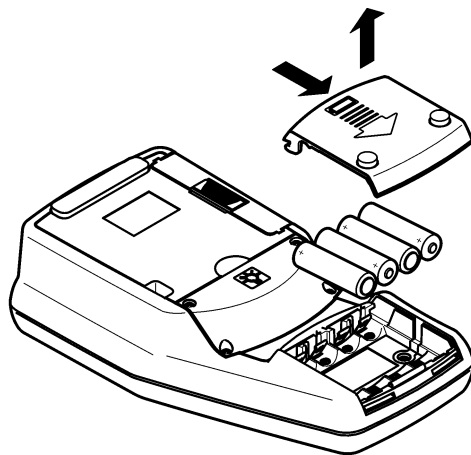
仪表可通过 AA 碱性电池或可充电镍氢电池供电。为了延长电池的使用寿命，仪表将在停止状态下 10 分钟后关闭，背光在 30 秒后关闭。此时间可在“电源管理”菜单中进行更改。

**注：**充电电池仅可通过 USB/电源模块充电。有关详情，请参阅模块文档。

有关电池安装，请参阅图 23。

1. 拆下电池盖。
2. 装入 4 节 AA 碱性电池或 4 节 AA 镍氢 (NiMH) 电池。确保电池安装的方向正确无误。
3. 将电池盖放回原位。

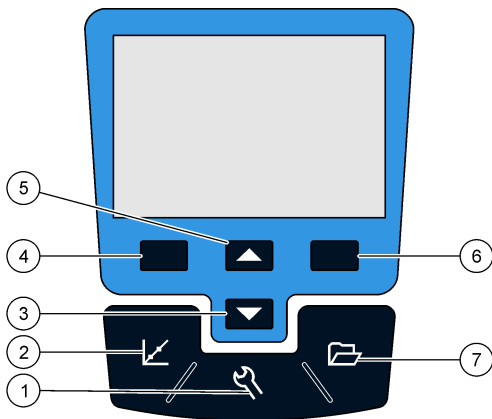
图 23 安装电池



## 用户界面及导航

### 用户界面

图 24 键盘说明

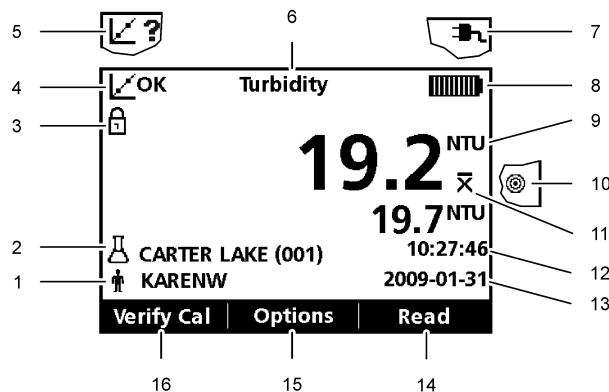


1 <b>设置</b> 键：选择设置仪表的菜单选项	5 <b>向上 (▲)</b> 键：滚动菜单，输入数字和字母
2 <b>校准</b> 键：显示校准屏幕，开始校准，选择校准选项	6 <b>向右</b> 键（上下文选择器）：读取浊度试样，选择或确认选项，打开/跳到子菜单
3 <b>向下 (▼)</b> 键：滚动菜单，输入数字和字母	7 <b>数据管理</b> 键：查看、删除或传输已保存的数据
4 <b>向左</b> 键（上下文选择器）：查看校准验证，取消或退出当前菜单屏幕以返回到上一个菜单屏幕	

## 显示屏说明

测量屏幕显示浊度、单位、校准状态、日期和时间、操作员 ID(如果设置)和试样 ID(如果设置)。请参阅图 25。

图 25 单屏幕显示



1 操作员 ID	9 NTU(比浊测量法的浊度单位)或 FNU (福尔马胂浊度单位)
2 试样 ID	10 读数模式：快速沉淀浊度(靶子图标)
3 稳定或显示锁定指示器	11 读数模式：信号平均(平均值符号图标)
4 校准状态指示器(校准成功=合格)	12 时间
5 校准状态指示器(校准?=失败)	13 日期
6 参数标题	14 读取(上下文选择器：确定，选择)
7 交流电图标	15 选项(上下文选择器)
8 电池图标	16 验证校准


## 导航

仪表包括“设置”菜单、“计数选项”菜单、“校准选项”菜单和“校准验证”菜单，从而可更改多个选项。使用**向上**和**向下**键，突出显示不同的选项。按下**向右**键以选择选项。有两种方法可更改选项：

1. 从列表中选择一项选项：使用**向上**和**向下**键选择一项选项。如果显示复选框，则可选择多个选项。在选择项下按下**向左**键。  
**注：**要撤选复选框，请在撤选项下按下**向左**键。
2. 使用箭头键输入选项值：  
按下**向上**和**向下**键，即可输入或更改值。
3. 按下**向右**键可移至下一空间。
4. 在**确定**下按下**向右**键以接受值。

## 启动

### 开启和关闭仪表。

 按下**开/关**键以开启或关闭仪表。如果仪表未开启，请确定电源或电源模块是否安装正确，或交流电源是否正确连接到电源插座。

**注：**“自动关闭”选项也可用于关闭仪表。有关更多详情，请参阅本手册扩展版本的光盘。

### 更改语言

有三个选项可设置语言：

- 当仪表首次上电时，选择显示语言。
- 当按住电源键时，选择显示语言。
- 可从“设置”菜单中更改语言。

1. 从列表中选择语言。按下**确认**进行确认。
2. 完成更新后，请按下**完成**。

### 更改日期和时间

可从“日期和时间”菜单中更改日期和时间。

1. 按下**设置**键，并选择“日期和时间”。
2. 更新时间和日期信息：

选项	说明
<b>格式</b>	选择其中一种日期和时间格式： 年-月-日 24 小时 年-月-日 12 小时 日-月-年 24 小时 日-月-年 12 小时 月-日-年 24 小时 月-日-年 12 小时
<b>日期</b>	输入当前日期
<b>时间</b>	输入当前时间

显示屏上将显示当前日期和时间。

设置日期和时间后，仪表准备读数。

## 标准操作

### 使用试样 ID

试样 ID 标记用于将读数与特定试样位置相关联。如果已分配，保存的数据将包括此 ID。

1. 在“设置”菜单中选择**试样 ID**。
2. 选择、创建或删除**试样-ID**：

选项	说明
<b>当前 ID</b>	从列表中选择一项 ID。当前 ID 将与试样数据相关联，直到选择其他 ID 为止。
<b>新建试样 ID</b>	输入新试样 ID 的名称。
<b>删除试样 ID</b>	删除现有试样 ID。

### 使用操作员 ID

操作员 ID 标记用于将读数与单个操作员相关联。所有保存的数据将包括此 ID。

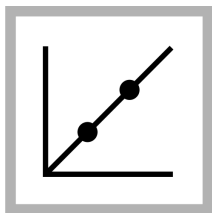
1. 在“设置”菜单中选择**操作员 ID**。
2. 选择、创建或删除操作员 ID:

选项	说明
<b>当前 ID</b>	从列表中选择 1 个 ID。当前 ID 将与试样数据相关联，直到选择其他 ID 为止。
<b>新建操作员 ID</b>	输入新操作员 ID 的名称（最多可输入 10 个名称）。
<b>删除操作员 ID</b>	删除现有操作员 ID。

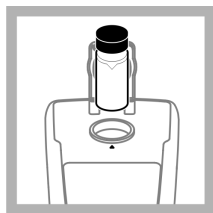
## 高级操作

### 使用 StablCal® 标准校准浊度计

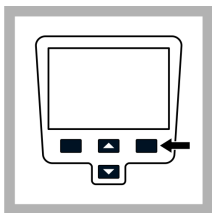
**注：**为确保最佳精确度，请在校准期间使用相同试样容器或四个匹配试样容器的所有读数。请将试样容器插入仪器的容器室内，以便菱形或定向标记与容器室前面凸起的定向标记对齐。



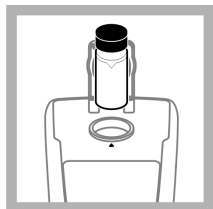
1. 按下**校准**键以进入校准模式。请按显示屏上的指示操作。  
**注：**轻轻倒置各标准液后，插入标准液。



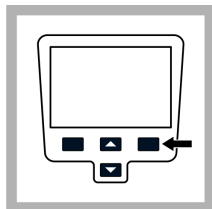
2. 插入 20 NTU StablCal 标准液，然后关上盖子。  
**注：**待插入的标准液具有边缘。



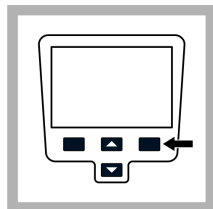
3. 按**读取**。显示屏显示“正在稳定处理”，然后显示结果。



4. 使用 100 NTU 和 800 NTU StablCal 标准液重复第 2 和第 3 步。  
**注：**按下**完成**以完成 2 点校准。





5. 按下**完成**以查看校准详情。



6. 按下**保存**以保存相关结果。校准完成后，仪表将自动进入“验证校准”模式。有关更多详情，请参阅本手册扩展版本的光盘。

## 读数模式

1. 按下**向上**或**向下**键以进入“读数选项”菜单。
2. 选择“读数模式”以选项以下其中一个选项：

选项	说明
<b>常规(默认设置)</b>	常规模式读取三个读数并取其平均数。结果显示在读数之后。
<b>信号平均</b> 	信号平均模式可对试样颗粒在光路中的漂移所引起的读数波动进行补偿。 当启用信号平均时，显示屏上会显示平均值符号图标。 信号平均模式测量 12 次，然后开始在三个读数之后显示平均值。最后结果是所有 12 个读数的平均值。
<b>Rapidly Settling Turbidity™ (RST)</b> 	快速沉淀浊度 (RST) 模式基于实时测量值的累计趋势，计算并持续更新试样的浊度读数至可信度 95%。 RST 模式非常适合用于快速沉淀且值持续变化的试样。读数基于正确配制且在读数开始时属同类的试样。它非常适合用于大于 20 NTU 的试样。试样必须通过倒置彻底混合，后面立即将其插入仪表中。 当启用快速沉淀浊度时，显示屏上会显示靶子图标。 快速沉淀浊度读取和计算五个读数，并同时显示中间结果。



## 维护

### ▲ 警告

存在人身伤害危险。只有合格的专业人员，才能从事手册此处所述的工作。

## 清洁仪表

仪表可免维护且在正常运行期间无需定期清洁。仪表的外表面可能需要清洁。

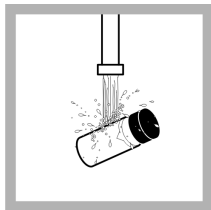
**注：** 请勿使用溶剂清洁仪表，以防损坏原料。

1. 使用干的或微湿的无尘和无绒布清洁仪表。温和的肥皂水也可用于清洁脂溶性污物。

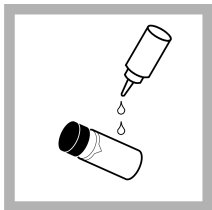
## 在试样容器上涂抹硅油

试样容器和保护盖必须彻底清洁，且无明显划痕。在试样容器的外部涂抹一层硅油，以掩盖瑕疵和划痕，有助于光散射。

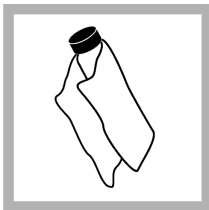
**注：** 仅限使用随附的硅油。此硅油的折射率与试样容器玻璃的折射率相同。



1. 使用实验室玻璃清洁剂清洁试样容器和保护盖的内外部。然后，用蒸馏水或去离子水进行多次冲洗。



2. 从试样容器的顶部到底部，使用一小滴硅油即可。



3. 使用随附的油布将硅油涂匀。擦掉多余的硅油，只留下一层薄的硅油。确保试样容器基本已干且有很少或无明显的硅油。  
**注：** 将油布存放在塑料袋中，以保持油布清洁。

## 存放试样容器

### 注意

请勿晾晒试样容器。

**注：** 存放试样容器时，始终盖上保护盖，以防容器变干。

1. 用蒸馏水或去离子水充满试样容器。
2. 盖好盖子并存放试样容器。
3. 用软布将试样容器的外部擦干。

## 更换电池

### ▲ 警告

可能存在火灾危险。仪表中仅限使用碱性或镍氢 (NiMH) 电池。使用其他电池类型或安装不当均可能导致火灾。切勿在仪表中将各种电池型号混用。

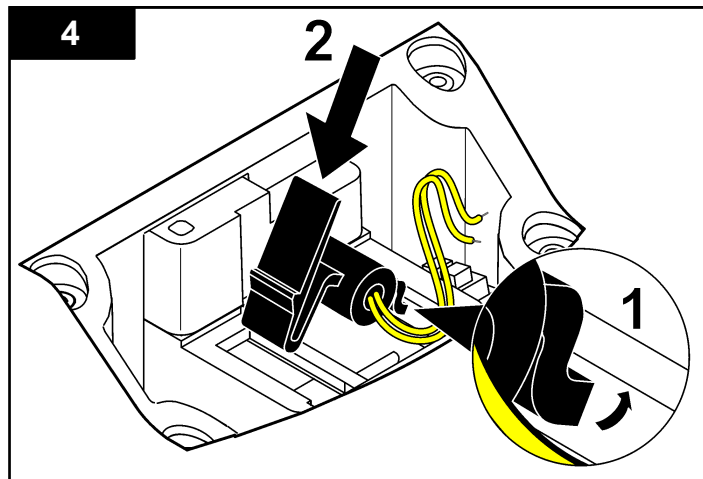
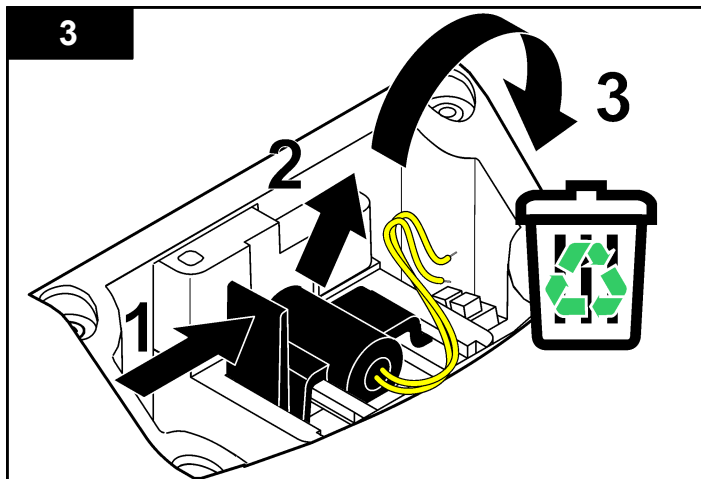
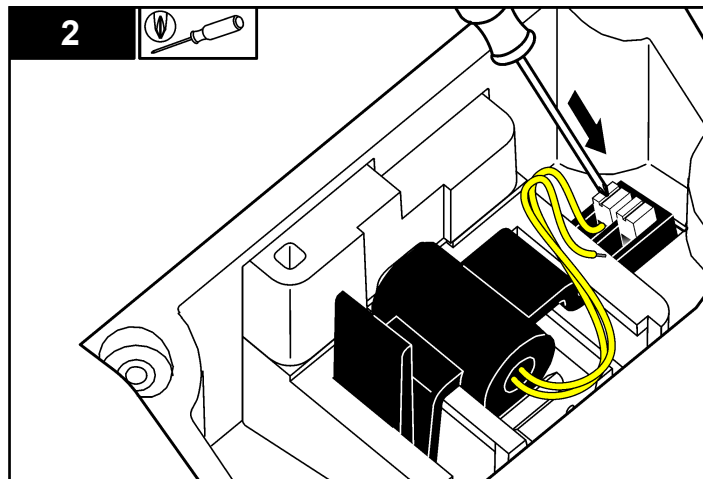
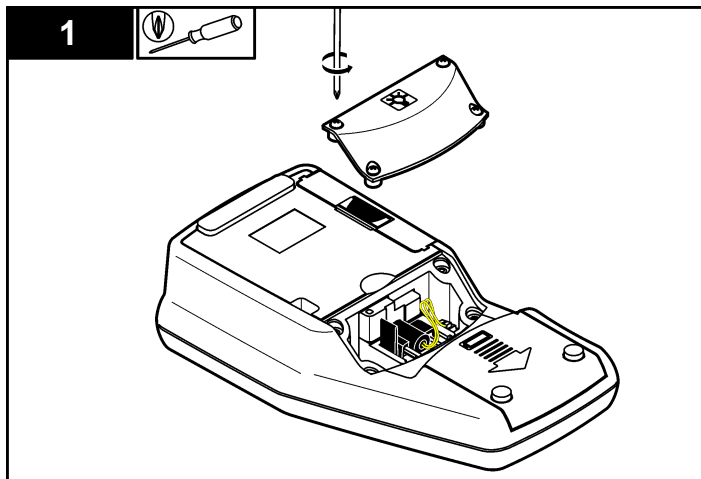
有关电池更换，请参阅图 23 第 61。

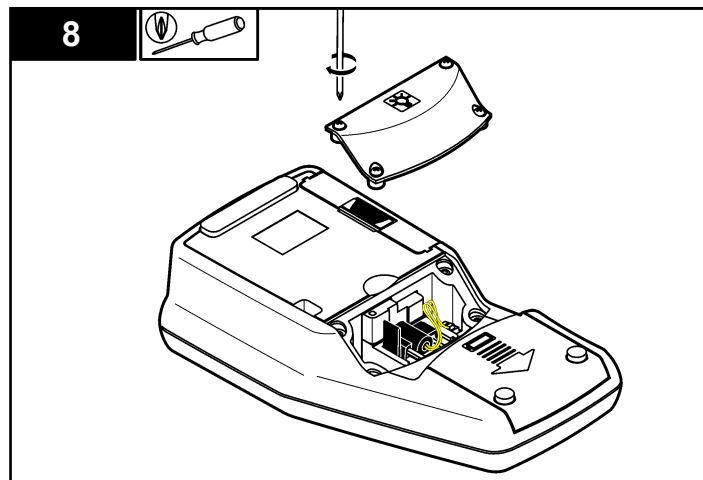
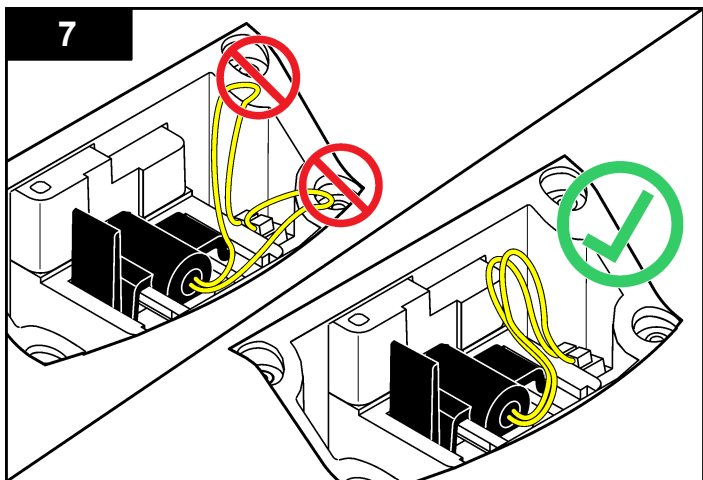
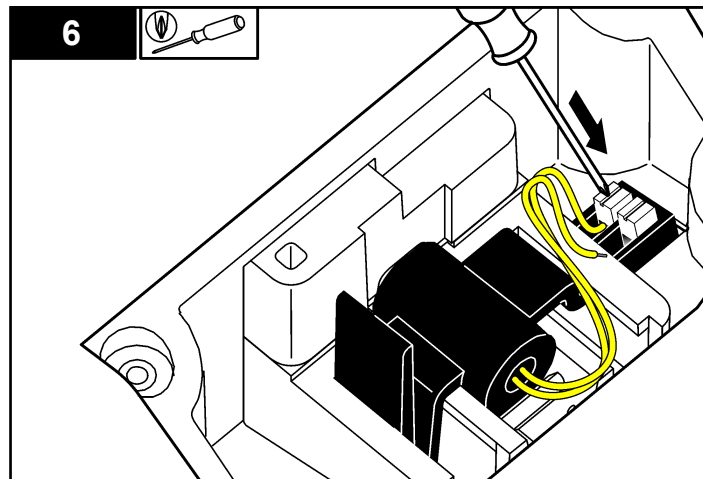
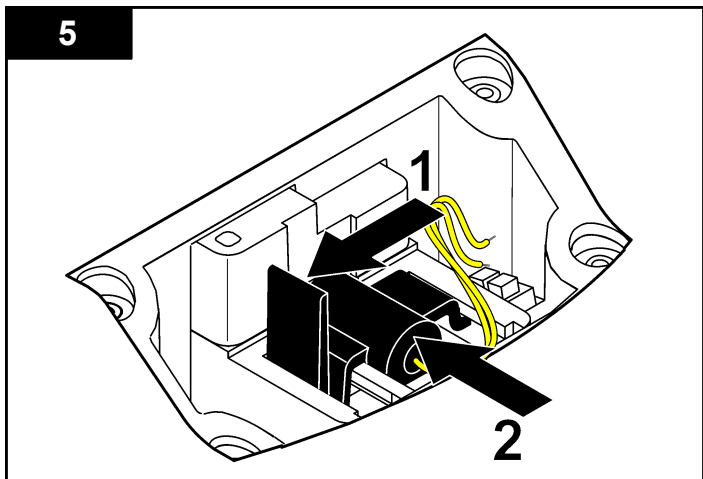
1. 拆下电池盖。
2. 取下电池。
3. 装入 4 节 AA 碱性电池或 4 节 AA 镍氢 (NiMH) 电池。确保电池安装的方向正确无误。
4. 将电池盖放回原位。

## 更换灯泡

### ▲ 警告

烫伤危险。请等待灯冷却。触摸仍在散热的灯可能会导致烫伤。





## 故障排除

有关常见问题消息或故障现象、可能的原因和纠正措施，请参阅以下表格。

错误/警告	说明	解决方案
关闭盖子并按下“读取”。	盖子打开或盖子检测失败。	确保在读数和重新读取期间关闭盖子。
电量不足!	是电池电量不足。	<ul style="list-style-type: none"> <li>装入新电池</li> <li>如果使用充电电池，则连接 USB/电源模块</li> </ul>
ADC 故障!	硬件错误导致读数失败。	重新读数。
探测器信号太低!	180° 探测器上的灯光不足。	<ul style="list-style-type: none"> <li>检查光路是否被阻挡。</li> <li>请检查灯。</li> </ul>
超出范围!	浊度太高 - 可能因仅使用 RapidCal™ 校准导致。	<ul style="list-style-type: none"> <li>校准上限。</li> <li>稀释试样。</li> </ul>
低于范围!	测量的吸光率低于校准范围。	重复校准
请检查灯!	90° 和 180° 探测器的信号太低。	<p><b>2100Q:</b> 灯有问题。更换灯 (请参阅<a href="#">更换灯泡</a>第 65)。</p> <p><b>2100Qis:</b> 请与技术支持部联系。</p>
温度太高! 关闭仪器。	温度已超过仪器限制 (>60 °C 或 >140 °F)。	关闭仪表并让其冷却。
RST: 平均值!	固体物质沉淀太慢。读数模式不适合此试样。	请选择“常规”或“信号平均”读数模式。

错误/警告	说明	解决方案
可信度低于 95%	读数模式“快速沉淀浊度”不符合可信度 $\geq 95\%$ 的范围。	<ul style="list-style-type: none"> <li>倒置试样多次，以便固体物质分配。再次重新读数。</li> <li>如果试样稳定且没有固化的固体物质，则切换到“常规”读数模式。</li> </ul>
标准值超出范围。插入标准液并按下“读取”	此读数使用错误的标准值。	插入适当的标准液，然后重新读取。
ID 已被使用。输入新 ID	由于已获分配，操作员或试样 ID 不可用。	新建 ID。
错误 - 安全 请在激活安全选项之前设置密码	未创建密码。	新建密码。
请输入至少一个字符。	密码必须包含至少一个字符。	创建至少一个字符的密码。
密码不正确。请重试。	输入的密码不正确。	请输入正确的密码。
请从计算机上断开 USB 电缆。	当连接到仪表和计算机时，数据存储无响应。	请从仪表上断开 USB 电缆，然后再次尝试发送数据。
USB 模块内存已满。删除数据并重试。	数据存储已满。	<ol style="list-style-type: none"> <li>将 USB/电源模块连接到计算机。</li> <li>将保存的数据下载到计算机。</li> <li>删除模块上的数据日志。</li> </ol>

错误/警告	说明	解决方案
删除上一读数失败!	数据存储中发生错误。	关闭和开启仪表。如果仍出现错误消息，请与技术支持部联系。
删除数据记录失败!		
无法读取数据集!		
无法保存数据!		
无法保存到读数日志!		
无法保存到验证校准日志!		
保存数据时出错!		
读取数据时出错!		

## 仕様書

この仕様は予告なく変更されることがあります。

仕様	詳細
測定方法	送信光散乱信号に対する一次比濁光散乱信号(90°)を使用する比濁定量の比率
規制	<b>2100Q:</b> EPA メソッド 180.1に適合 <b>2100Qis:</b> ISO 7027に適合
光源ランプ	<b>2100Q:</b> タングステンフィラメントランプ <b>2100Qis:</b> 860nmの発光ダイオード(LED)
範囲	0~1000 NTU (FNU)
精度	0~1000 NTU (FNU)で測定値の±2%プラス迷光
再現性	測定値の±1% または0.01 NTU (FNU)のいずれか大きい方
対処法	最低レンジでは0.01 NTU
迷光	≤ 0.02 NTU (FNU)
信号平均	オンまたはオフを選択可能
検出器	シリコンフォトダイオード
測定モード	通常(押すと測定)、信号平均、または Rapidly Settling Turbidity™
校正オプション	0~40 NTU (FTU) を通知する低レベル規制用のSingle step RapidCal™ 0~1000 NTU(FNU)でのフルレンジでの校正 濁度の応じた校正
校正ロガー	正常な 25 の最後の校正を記録
確認ロガー	最後の250回の成功した確認のログ
データロガー	500回の記録

仕様	詳細
電源要件	AC 100~240 V、 50/60 Hz (電源またはUSB/電源モジュール使用) 4 個のAA アルカリ電池 再充電可能NiMH (USB/電源モジュールで使用)
動作条件	温度:0~50°C(32~122度F) 相対湿度: 30°Cで0~90%、40°Cで0~80%、50°Cで0~70%、非露結
保存条件	-40~60°C(-40~140 °F)、装置のみ
インターフェース	オプションのUSB
必要な試料	15 mL (0.5オンス.)
試料セル	丸型セル 60 x 25 mm (2.36 x 1インチ) ネジキャップ付きのホウケイ酸ガラス
寸法	22.9 x 10.7 x 7.7 cm (9.0 x 4.2 x 3.0 インチ.)
重さ	バッテリーなしで530g (1.17ポンド) 4個のAAアルカリ電池付きで620g (1.37ポンド)
測定器筐体定格	IP67 (閉じたふた、バッテリーおよびモジュール コンパートメントを除く)
保護クラス	電源:クラス II
取得認証	CE認証
保証	1 年 (EU: 2 年)

## 一般的な情報

いかなる場合も、製造元は、例えそのような損害が生じる可能性について報告を受けていたとしても、本マニュアルに含まれるいかなる瑕疵または脱落から生じる直接的、間接的、特定、付随的または結果的に生じる損害に関して責を負いません。製造元は、通知または義務なしに、随時本マニュアルおよび製品において、その記載を変更する権利を留保します。改訂版は、製造元の Web サイト上にあります。

## 安全情報

この機器の開梱、設定または操作を行う前に、このマニュアルをすべてよく読んでください。危険および注意の注意事項に注意を払ってください。これを怠ると、オペレータが重傷を負う可能性、あるいは機器が損傷を受ける可能性があります。

本装置に備わっている保護機能が故障していないことを確認します。本マニュアルで指定されている以外の方法で本装置を使用または設置しないでください。

## 危険情報の使用

<b>▲ 危険</b>
回避しなければ死亡または重傷につながる、潜在的または切迫した危険な状況を示します。


<b>▲ 警告</b>
回避しなければ死亡または重大な人身傷害事故をもたらす可能性が高い切迫した危険が存在していることを示します。



<b>▲ 注意</b>
軽傷または中傷事故の原因となる可能性のある危険な状況を指摘しています。

<b>注意</b>
回避しなければ装置の損傷を引き起こす可能性のある状況を示します。特に注意を要する情報。

## 使用上の注意ラベル

装置に取り付けであるラベルとタグをすべてお読みください。これを見ると、人身傷害や装置の損傷につながるおそれがあります。装置にシンボルが記載されている場合、マニュアルに「危険」または「注意」事項が含まれています。

	これは安全警報シンボルです。潜在的な障害を避けるためにこのシンボルのすべて安全メッセージに従ってください。装置上では、作業または安全情報に関しては取り扱い説明書を参照してください。
---	--

	このシンボルは感電の危険があり、場合によっては感電死の原因となる恐れのあることを示しています。
	この記号が付けられている電気製品は、2005年8月12日以降、ヨーロッパでは公共廃棄物処分システムで処分することはできません。ヨーロッパの地域および国の規制 (EU 指令 2002/96/EC) に従って、ヨーロッパ在住の電気製品利用者は、使用済みとなった装置を製造元に処理のために返送する必要があります。利用者が負担する費用はありません。 <b>注:</b> リサイクル用にご返却になる場合には、機器メーカーまたは供給者にご連絡の上、使い切った機器、メーカー供給による電気付属品および予備品を適切に処分するための返却方法をご確認ください。

## 取得認証

### カナダの障害発生機器規則、IECS-003、クラス A:

テスト記録のサポートはメーカーにあります。

このクラス A デジタル装置はカナダの障害発生機器規則の要件をすべて満たします。

Cet appareil numérique de la classe A respecte toutes les exigences du Règlement sur le matériel brouilleur du Canada.

### FCC PART 15、クラス「A」 限度値

テスト記録のサポートはメーカーにあります。この機器はFCC規則のパート 15 に準拠します。運転は以下の条件を前提としています:

1. この装置が有害な干渉の原因とならないこと。
2. この装置が望ましくない動作の原因となる可能性のあるいかなる干渉にも対応しなければなりません。

これらの規格への準拠に責任を持つ当事者による明示的承認を伴わずにこの装置に対する変更または改造を行うと、ユーザーはこの機器を使用する権限を失う可能性があります。この装置は、FCC 規則のパート 15 に従って、クラス A のデジタル機器の制限に準拠することが試験によって確認されています。これらの制限は、この機器が商用の環境で使用されたときに、有害な干渉から適切に保護することを目的に設定されています。この機器は、無線周波数エネルギーを生成および使用するもので、取り扱い説明書に従って取り付けおよび使用しない場合にはそれを放射

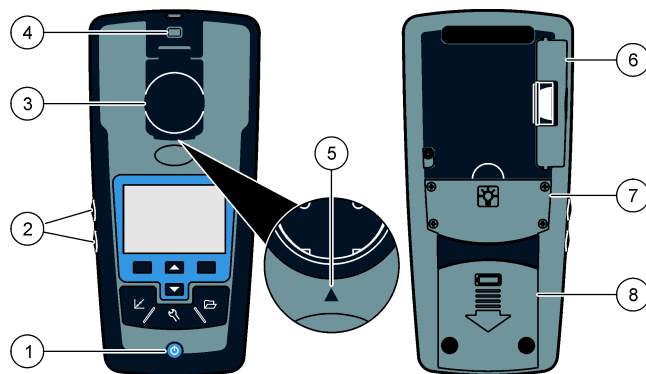
する場合があります。無線通信に対して有害な干渉を発生させる可能性があります。住宅地域における本装置の使用は有害な電波妨害を引き起こすことがあります。その場合ユーザーは自己負担で電波妨害の問題を解決する必要があります。以下の手法が干渉の問題を軽減するために使用可能です。

1. 装置から電源を取り外して、電源が干渉源かどうかを確認します。
2. 装置が干渉を受けている装置と同じコンセントに接続されている場合は、装置を別のコンセントに接続してください。
3. 妨害を受けている装置から本装置を離します。
4. 妨害を受けている装置の受信アンテナの方向および位置を変えてみます。
5. 上記の措置を組み合わせてみます。

### 製品概要

2100Qと2100Qisの携帯型濁度計は0～1000 NTU(FTU)の濁度を測定します。フィールド使用を主として、この携帯型測定器は4個のAAバッテリーで動作します。データは保存およびプリンタ、コンピュータまたはUSBストレージデバイスに転送可能です。

図 26 製品概要



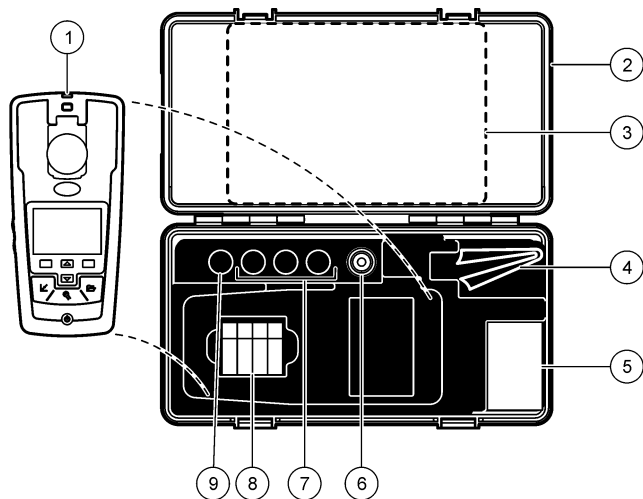
1 電源のオンまたはオフ	5 アライメントの矢印
2 バックライトキー(+および-)	6 モジュール
3 ふた付きの試料セルホルダ	7 ランプ コンパートメント
4 ストラップ用のアタッチメント	8 バッテリー コンパートメント

### 製品コンポーネント

図 27を参照して、すべてのコンポーネントを受け取っていることを確認します。上記の梱包物が不足している場合、または破損を受けている場合にはメーカーまたは販売業者まで速やかにご連絡ください。



図 27 2100Qおよび 2100Qisコンポーネント



1 2100Qまたは 2100Qis濁度計	6 シリコン オイル
2 携帯ケース	7 20、100および800 NTUのStabiCal校正標準液
3 ユーザー マニュアル、クイック リファレンス ガイドおよびCD-ROM	8 AAアルカリ バッテリー(pk/4)
4 油布	9 StabiCal 10 NTU確認標準液
5 キャップ(pk/6)付きの1インチ試料セル(10 mL)	

## 設置

### ▲ 注意

人体損傷の危険。マニュアルのこのセクションに記載されている作業は、必ず資格のある要員が行う必要があります。

## バッテリーの取り付け

### ▲ 警告

火災危険の可能性。測定器にはアルカリまたはニッケル メタル ハライド バッテリー(NiMH)のみを使用してください。他のバッテリー タイプまたは不適切な取り付けは火災の原因となります。測定器にはバッテリーのタイプを混在させて使用しないでください。

### 注意

バッテリー コンパートメントは防水ではありません。バッテリー コンパートメントが濡れた場合、バッテリーを外して乾かして、コンパートメント内部を完全に乾燥させてください。バッテリーの接触に腐食がないかチェックし、必要に応じて洗浄してください。

### 注意

ニッケル メタル ハライド(NiMH)バッテリーを使用する場合、フル充電されたバッテリーが挿入された後は、バッテリーのアイコンはフル充電を示しません(NiMHは1.2Vでアルカリバッテリーは1.5V)。アイコンは完全充電を示しません。2500 mAのNiMHバッテリーは新しいアルカリバッテリーに対して装置の動作寿命(再充電の前)の90%を達成します。

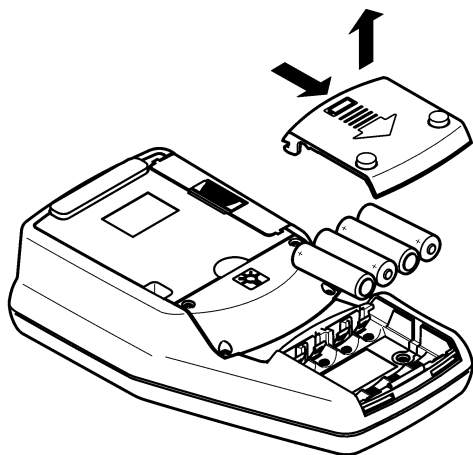
測定器はAAアルカリまたは再充電NiMHバッテリーから給電することができます。バッテリー寿命を保存するために、測定器は不動作の10分後に電源オフになり、バックライトは30秒後に電源オフになります。この時間は電源管理メニューで変更可能です。

注: 再充電バッテリーはUSB/電源モジュールでのみ再充電可能です。詳細情報はモジュールのドキュメントを参照してください。

バッテリーの取り付けは図 28を参照してください。

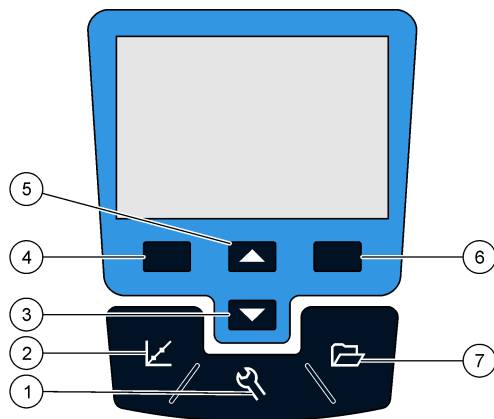
1. バッテリー カバーを外します。
2. 4個のAAアルカリまたは4個のAAニッケル メタル ハライド(NiMH)バッテリーを取り付けます。バッテリーが正しい方向に取り付けられていることを確認してください。
3. バッテリー カバーを交換します。

図 28 バッテリーの取り付け



ユーザーインターフェースとナビゲーション  
ユーザー インターフェース

図 29 キーパッドの説明

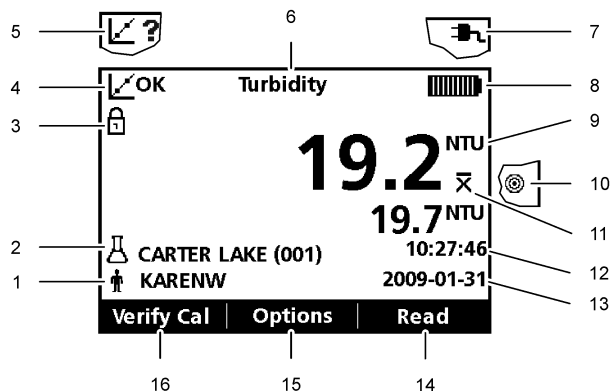


1 <b>設定</b> キー:測定器の設定のメニューオプションを選択します。	5 <b>UP(上方)</b> キー:メニューをスクロールして、数字と文字を入力します。
2 <b>校正</b> キー:校正画面、校正開始、校正オプションの選択が表示されます。	6 <b>RIGHT(右)</b> キー(コンテキストチュアル):濁度試料を測定、オプションの選択または確認、サブメニューのオープン/ジャンプ
3 <b>DOWN(下方)</b> キー:メニューをスクロールし、数字と文字を入力します。	7 <b>データ管理</b> キー:表示、保存データの削除または転送
4 <b>LEFT(左)</b> キー(コンテキストチュアル):校正確認をアクセスし、現在のメニュー画面をキャンセルまたは終了して、前のメニュー画面に戻ります。	

## ディスプレイの説明

測定画面は濁度、単位、校正状態、日付と時刻、オペレータID (設定されていた場合)および試料ID (設定されていた場合)を表示します。図 30 を参照してください。

図 30 1画面ディスプレイ



1 オペレータID	9 NTU (比濁計濁度単位)またはFNU (ホルマジン濁度単位)
2 試料ID	10 測定モード:Rapidly Settling Turbidity (ターゲットアイコン)
3 安定性または表示ロック インジケータ	11 測定モード:信号平均(Xバーアイコン)
4 校正状態インジケータ(校正OK=合格)	12 時間
5 校正状態インジケータ(校正?=失敗)	13 日付
6 パラメータ タイトル	14 測定(コンテキストual: OK、選択)
7 AC電源アイコン	15 オプション(コンテキストual)
8 バッテリーアイコン	16 校正確認

## ナビゲーション

測定器にはさまざまなオプションを変えるための設定メニュー、測定オプションメニュー、校正オプションメニューおよび校正確認オプションメニューがあります。UP (上方)およびDOWN (下方)キーを使用してさまざまなオプションをハイライト表示します。RIGHT (右)キーを押して、オプションを選択します。オプションを変更するには2つの方法があります。

- リストからオプションを選択します:UP (上方) およびDOWN (下方) キーを使用してオプションを選択します。チェック ボックスが現れたら、複数のオプションの選択が可能です。選択の下のLEFT (左)を押します。  
注: チェック ボックスを非選択にするには、非選択の下のLEFT (左)キーを押します。
- 矢印キーを使用してオプション値を入力します: UP (上方) およびDOWN (下方)キーを押して、値を入力または変更します。
- RIGHT (右) キーを押して、次のスペースに進みます。
- RIGHT (右)キー(OKの下)を押して、値を受け取ります。

## 開始

### 測定器のオンとオフ

**ON/OFF**を押して、測定器をオンまたはオフにしてください。測定器がオンにならない場合、バッテリーまたはモジュールが正しく取り付けられているか、またはAC電源が正しくコンセントに接続されているかを確認してください。

注: 自動電源オフのオプションも測定器をオフにするために使用可能です。追加情報はこのマニュアルの拡張バージョンのCDを参照してください。

### 言語の変更

言語の設定には3つのオプションがあります。

- 言語の表示は測定器を始めて電源オンした時に選択されます。
- 言語の表示は電源キーを押して保持した時に選択されます。
- 言語は設定メニューで変更可能です。

1. リストから言語を選択します。**OK**で確認します。
2. 更新が完了したら**完了**を押します。

## 日付と時間の変更

日付と時間は日付/時刻メニューで変更可能です。

1. **設定**キーを押して、日付/時刻を選択します。
2. 時間と日付情報を更新します。

オプション	説明
形式	日付と時間の形式の1つを選択します: yyyy-mm-dd 24時間 yyyy-mm-dd 12時間 dd-mm-yyyy 24時間 dd-mm-yyyy 12時間 mm/dd/yyyy 24時間 mm/dd/yyyy 12時間
日付	現在の日付を入力します。
時間	現在の時刻を入力します。

現在の日付と時刻はディスプレイに表示されます。

日付と時刻の設定を終えたら、測定器は測定の前準備が整っています。

## 標準操作

### サンプルIDを使用してください。

サンプルIDタグは測定値を個々の試料場所に関係付けるために使用されます。割り当てられると、保存データにはこのIDが含まれます。

1. 設定メニューで**サンプル ID**を選択してください。
2. サンプルIDを選択、作成または削除します。

オプション	説明
現在の ID	リストからIDを選択してください。現在のIDは別のIDが選択されるまで、試料データと関連付けられます。
新しい試料 ID の作成	新しいサンプルIDに名前を入力します。
サンプル ID の削除	既存のサンプルIDを削除します。

## オペレータIDの用法

オペレータIDタグは個々のオペレータとの測定と関連付けられます。すべての保存データにはこのIDが含まれます。

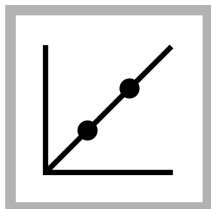
1. 設定メニューで**オペレータ ID**を選択してください。
2. オペレータIDを選択、作成、または削除してください。

オプション	説明
現在の ID	リストからIDを選択してください。現在のIDは別のIDが選択されるまで、試料データと関連付けられます。
新しいオペレータ ID を作成	新しいオペレータIDに名前を入力してください(最大10個の名前を入力可能です)。
オペレータ ID[の削除	既存のオペレータIDを削除してください。

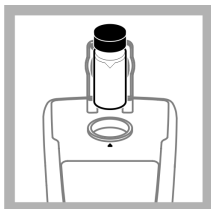
## 高度な操作

### StablCal®標準液による濁度計の校正

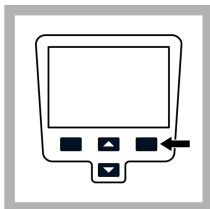
**注:** 最良の精度を得るためには同じ試料セルを使用するか、または4つの整合した試料セルを校正中のすべての測定に使用してください。試料セルを装置のセルコンパートメントに挿入して、ダイヤモンドまたは方向マークがセルコンパートメントの正面の賑らんだ方向マークと整列するようにします。



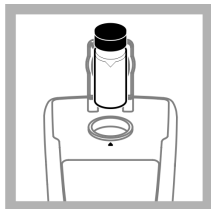
1. **校正**キーを押して校正モードに入ります。ディスプレイの指示に従います。  
**注:** 標準液を挿入する前に各標準液を静かに逆さにします。



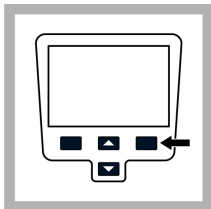
2. 20 NTUのStabiCal標準液を挿入してふたを閉めます。  
**注:** 挿入する標準液は分離しています。



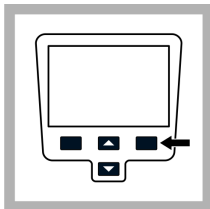
3. **読取り**を押します。ディスプレイは安定化中を表示し、その後、結果を表示します。



4. 100 NTUおよび800 NTU StabiCal標準液にして、ステップ2と3を繰り返します。  
**注:** 完了を押すと、2ポイント校正が完了します。



5. **完了**を押して、校正の詳細を調べます。



6. **保存**を押して結果を保存します。校正が完了した後、測定器は自動的に校正確認モードになります。追加情報はこのマニュアルの拡張バージョンのCDを参照してください。

## 測定モード

1. **UP (上方)** または**DOWN (下方)** キーを押して、測定オプションメニューを入力します。
2. 測定モードを選択すると、次のオプションの1つが選択されます。

## オプション 説明

**通常(デフォルト設定)** 通常モードは3回の測定値を測定して平均化します。その結果は測定後に表示されます。

**信号平均**  
**X** 信号平均モードは光線経路を通る試料粒子のドリフトに起因する測定変動を補償します。信号平均がオンの場合、Xバーアイコンがディスプレイに表示されます。

信号平均モードでは12回測定されて、3回測定後、平均の表示が開始されます。最後の結果は12回の測定すべての平均です。

**Rapidly Settling Turbidity™ (RST)**



**Rapidly Settling Turbidity (RST)**モードは試料の濁度測定を、リアルタイムの測定値の累積トレンドに基づく95%信頼度レベルまで、計算して連続的に更新します。

RSTモードは値が急速に連続して変化する試料に最もよく使用されます。測定は測定の開始時に均一な正しく準備された試料に基づきます。それは20 NTUを超える試料に適用されません。試料は測定器の挿入する直前に反転して完全に混合されていなければなりません。

Rapidly Settling Turbidityがオンになっているとき、ディスプレイには対象のアイコンが表示されます。

Rapidly Settling Turbidityは中間結果を示しながら、5回の測定値を計算します。

## メンテナンス

### ▲ 注意

人体損傷の危険。マニュアルのこのセクションに記載されている作業は、必ず資格のある要員が行う必要があります。

## 測定器の洗浄

測定器はメンテナンス不要に設計され、通常の動作のためには定期的な洗浄は不要です。測定器の外表面は必要に応じて洗浄することができます。

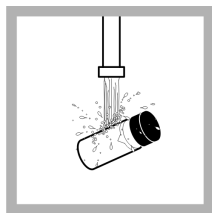
**注:** 材質の損傷を防ぐため、測定器は溶媒を使って洗浄しないでください。

1. 測定器は埃および糸くずのない乾いた、またはわずかに湿った布で洗浄してください。中性石けん溶液も、脂溶性の汚れに使用可能です。

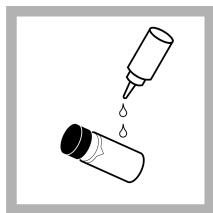
## 試料セルにシリコン オイルを添加

試料セルとキャップは最高に清潔で、大きな傷があつてはなりません。試料セルの外側に薄いシリコン皮膜を添加して、光の散乱に寄与する可能性がある小さな欠陥と傷を隠します。

**注:** 提供するシリコン オイルのみを使用してください。このシリコン オイルは試料セルガラスと同じ反射係数を持っています。



1. セルの内側と外側およびキャップを理化学用ガラス洗浄剤を用いて拭いてきれいにしてください。その後で蒸留水または脱塩水を使って複数回リンスしてください。



2. セルの上部から底部までシリコンオイルの小さなビーズを添加してください



3. オイルが均等に広がるように提供する油布を使用してください。余分なオイルを拭きとって薄い油膜のみが残るようにします。試料セルがわずかなまたは見えないくらいの油でほとんど乾いていることを確認してください。

**注:** 油布はプラスチックの保存バッグに入れて布を清潔に保ちます。

## 試料セルの保存

### 注意

試料セルを空気乾燥しないでください。

**注:** セルが乾燥することを防ぐために、試料セルには必ずキャップを付けて保存してください。

1. 試料セルを蒸留水または脱塩水で満たします。
2. 試料セルにふたをして保存します。
3. 乾いた柔らかい布で試料セルの外側を拭きます。

## バッテリーの交換

### ▲ 警告

火災危険の可能性。測定器にはアルカリまたはニッケルメタルハライドバッテリー(NiMH)のみを使用してください。他のバッテリータイプまたは不適切な取り付けは火災の原因となります。測定器にはバッテリーのタイプを混在させて使用しないでください。

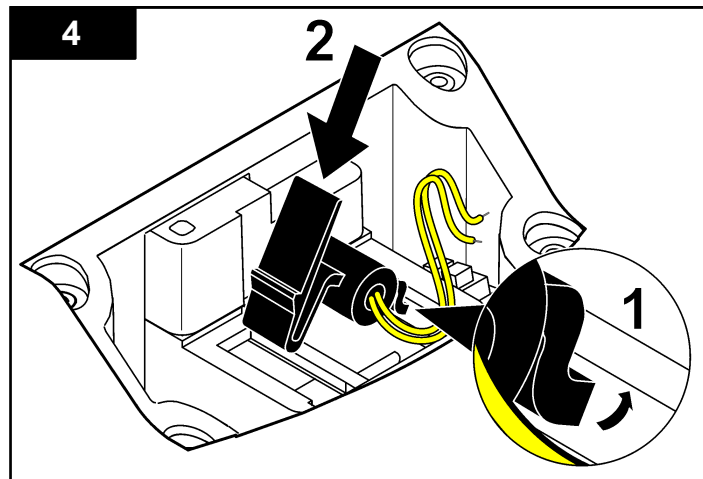
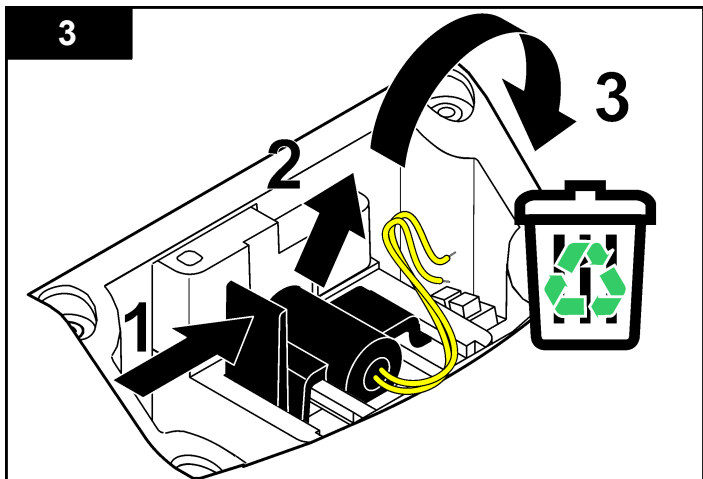
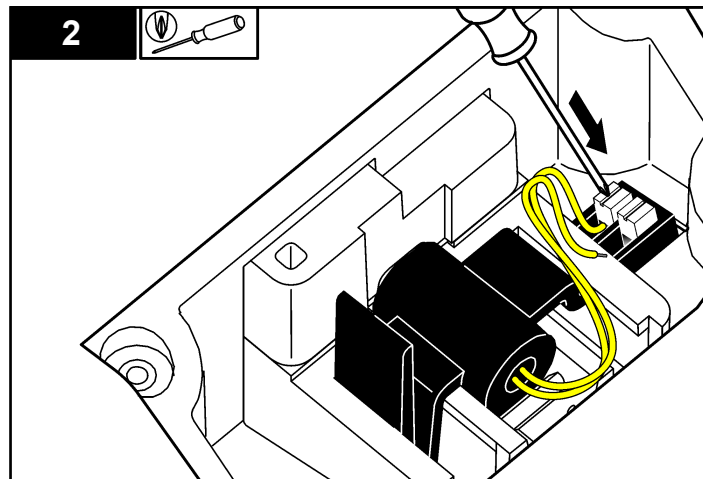
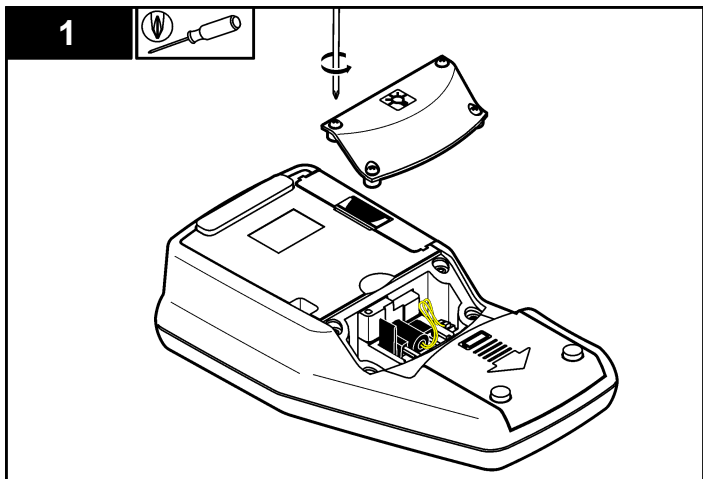
バッテリーの交換は図 28 ページの 74 を参照してください。

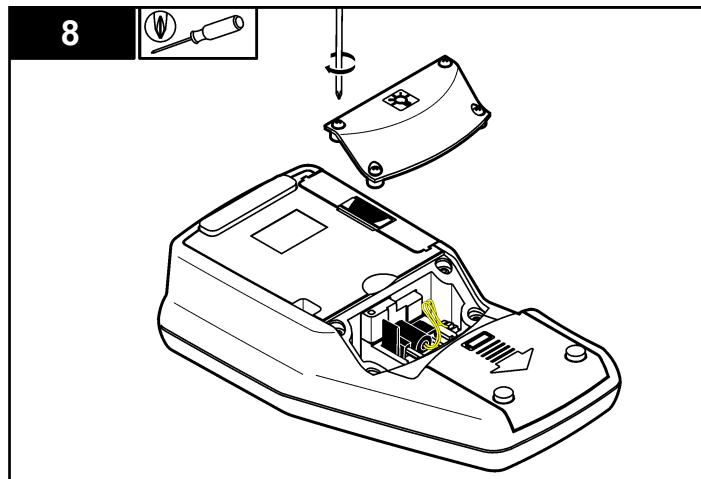
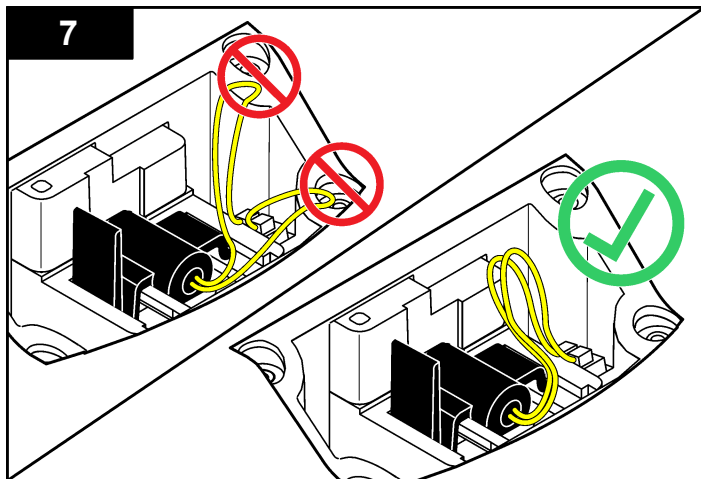
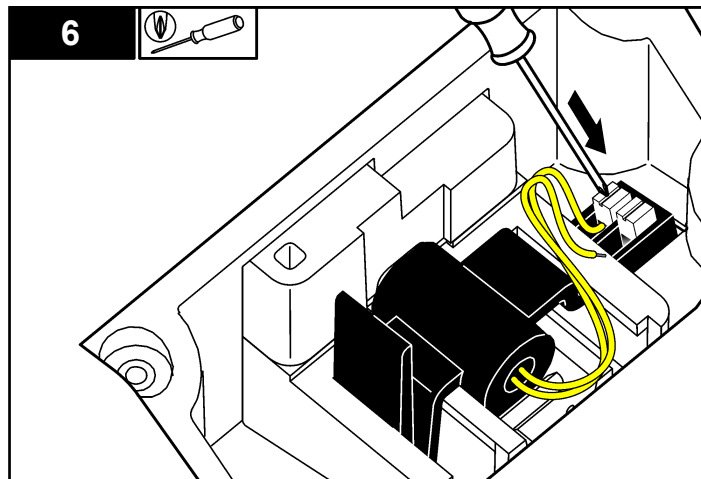
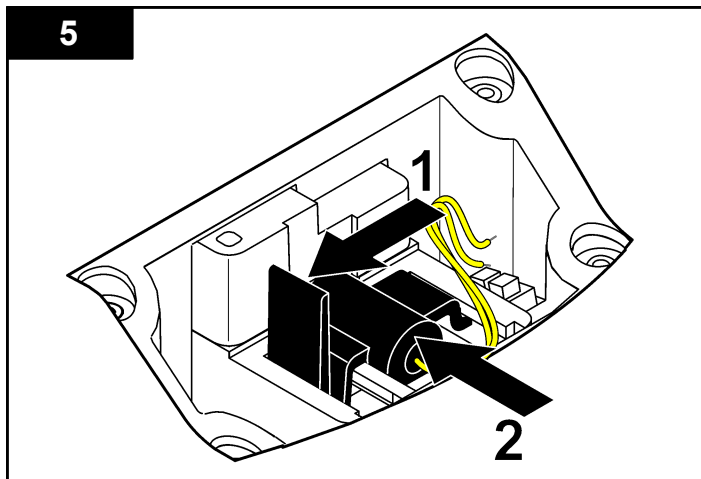
1. バッテリー カバーを外します。
2. バッテリーを外します。
3. 4個のAAアルカリまたは4個のAAニッケルメタルハライド(NiMH)バッテリーを取り付けます。バッテリーが正しい方向に取り付けられていることを確認してください。
4. バッテリー カバーを交換します。

## ランプの交換

### ▲ 注意

火傷。ランプが冷却されるまで、待ってください。熱いランプに触ると熱傷の可能性あります。







## トラブルシューティング

一般的な問題のメッセージまたは兆候、起こり得る原因および修復アクションは次の表を参照してください。

エラー/警告	説明	対処方法
フタを閉じ測定を押す	ふたが開いているか、またはふたの検出に失敗。	測定および再測定中にふたが閉まっていることを確認します。
電池残量不足!	バッテリーが低下しています。	<ul style="list-style-type: none"> <li>新しいバッテリーを入れてください。</li> <li>再充電可能バッテリーを使用の場合は USB/電源モジュールを接続してください。</li> </ul>
ADC 故障	ハードウェア エラーが測定の失敗の原因です。	測定を繰り返してください。
検出信号が低すぎ!	180°検出器に光が足りません。	<ul style="list-style-type: none"> <li>光線経路が遮られているかチェックしてください。</li> <li>ランプをチェックしてください。</li> </ul>
範囲を超過しています	濁度が高すぎ—おそらく、RapidCal™のみによる校正が原因です。	<ul style="list-style-type: none"> <li>範囲の上限を校正してください。</li> <li>試料を希釈してください。</li> </ul>
範囲を下回っている!	測定された吸収が校正範囲を下回っています。	校正を繰り返します。

エラー/警告	説明	対処方法
ランプを確認する!	90°と180°の検出器信号が小さすぎます。	<p><b>2100Q:</b> ランプに欠陥があります。ランプを交換してください(<a href="#">ランプの交換</a> ページの <b>78</b> を参照してください)。</p> <p><b>2100Qis:</b> 技術サポートに連絡してください。</p>
機器の温度が高すぎる!装置のスイッチをオフにしてください。	温度が測定器の限界を超えています(>60°Cまたは>140°F)	測定器をオフにして冷却させます。
RST:平均値です!	固体の沈殿が遅すぎます。測定モードはこの試料に適していません。	通常または信号平均測定モードを選択してください。
信頼度レベルは< 95%です	測定モードのRapidly Settling Turbidity は ≥ 95%の信頼度の範囲に適合していませんでした。	<ul style="list-style-type: none"> <li>固体が配置されるように数回試料を反転してください。測定を再び繰り返してください。</li> <li>試料が安定で設定される固体がなければ、通常の測定モードに切り替えてください。</li> </ul>
標準液の値が範囲外です。標準液を反転して測定を押してください	測定に不適正な標準液の値を使用しました。	適切な標準液を挿入して再び測定してください。
登録済 ID 新しい ID を入力してください	オペレータおよび試料ID は利用できません。それは既に割当てられているからです。	新しいIDを作成
エラー-セキュリティ。パスワードの設定後、セキュリティを有効にします。	パスワードは作成されませんでした。	新しいパスワードを作成してください。
最低 1 文字入力してください。	パスワードは最低1文字含まなければなりません。	最低1文字のパスワードを作成してください。

エラー/警告	説明	対処方法
パスワード無効です。再試行してください。	無効なパスワードが入力されました。	正しいパスワードを入力してください。
お使いのコンピュータからUSBケーブルを外してください。	メータおよびコンピュータに接続してもデータストレージは応答しません。	USBケーブルを測定器から切断して、データの送信を再トライしてください。
USBメモリに空きがありません。データを削除して再試行してください。	データストレージは満杯です。	<b>1.</b> USB/電源モジュールをコンピュータに接続してください。 <b>2.</b> 保存したデータをコンピュータにダウンロードしてください。 <b>3.</b> モジュールのデータログを削除してください。
前回の測定の削除に失敗!	データ保存のエラー	測定器をオフにしてオンにします。エラーメッセージが再び生じる場合は、技術サポートにお問い合わせください。
データログの削除に失敗!		
データセットを読取れない!		
データを保存できない!		
ログの測定に保存できない!		
校正確認ログに保存できない!		
データ保存エラー!		
データ測定エラー!		

## 사양

사양은 통보 없이 변경될 수 있습니다.

사양	세부 정보
측정 방법	투과광 산란 신호에 대한 기본 90도 Nephelometric 산란광 신호(90°)를 사용하여 탁도 비율을 계산합니다.
규제	<b>2100Q:</b> EPA Method 180.1 충족 <b>2100Qis:</b> ISO 7027 충족
광원	<b>2100Q:</b> 텅스텐 필라멘트 램프 <b>2100Qis:</b> 860 nm 파장의 발광 다이오드(LED)
범위	0–1000 NTU (FNU)
정확도	0–1000 NTU (FNU) 범위에서 판독값의 ±2% 및 잡광
반복성	판독값의 ±1%와 0.01 NTU (FNU) 중 더 큰 수치
분해능	가장 낮은 범위에서 0.01 NTU
잡광	≤ 0.02 NTU (FNU)
신호 평균	사용 여부 선택 가능
검출기	실리콘 광다이오드
판독 모드	일반(눌러서 판독), 신호 평균 또는 Rapidly Settling Turbidity™
교정 옵션	0–40 NTU (FNU) 범위에서 저레벨 규제 보고의 경우 단일 스텝 RapidCal™ 0–1000 NTU (FNU) 범위에서 전범위 교정 탁도에 맞게 교정
교정 로거	마지막 성공한 25개의 교정 기록
확인 로거	마지막으로 성공한 250개의 확인 기록
데이터 로거	500개 기록

사양	세부 정보
전원 요구조건	AC 100–240 V, 50/60 Hz (전원 또는 USB/전원 모듈) AA 알칼리 건전지 4개 NiMH 충전지(USB/전원 모듈과 함께 사용)
사용 환경	온도: 0 ~ 50 °C (32 ~ 122 °F) 상대 습도: 30 °C에서 0–90%, 40 °C에서 0–80%, 50 °C에서 0–70%, 비응결
보관 조건	–40 ~ 60 °C (–40 ~ 140 °F), 장치만
인터페이스	USB 옵션
필요한 샘플량	15 mL (0.5 oz.)
샘플 셀	원형 셀 60 x 25 mm (2.36 x 1 in.) 나사식 캡이 있는 봉규산 유리
치수	22.9 x 10.7 x 7.7 cm (9.0 x 4.2 x 3.0 in.)
무게	건전지를 제외하고 530 g (1.17 lb) AA 알칼리 건전지 4개를 포함하여 620 g (1.37 lb)
계측기 밀폐 등급	IP67 (뚜껑 닫음, 건전지 및 모듈 구획 제외)
보호 등급	전원: Class II
인증	CE 인증
보증	1 년 (EU: 2 년)

## 일반 정보

제조업체는 본 설명서에 존재하는 오류나 누락에 의해 발생하는 직접, 간접, 특수, 우발적 또는 결과적 손해에 대해 어떠한 경우에도 책임을 지지 않습니다. 제조업체는 본 설명서와 여기에 설명된 제품을 언제든지 통지나 추가적 책임 없이 변경할 수 있습니다. 개정본은 제조업체 웹 사이트에서 확인할 수 있습니다.

## 안전 정보

장치 포장을 풀거나 설치하거나 작동하기 전에 본 설명서를 모두 읽으십시오. 모든 위험 및 주의사항 설명에 유의하시기 바랍니다. 이를 지키지 않으면 사용자가 중상을 입거나 장치가 손상될 수 있습니다.

본 장치의 보호 기능이 손상되지 않도록 본 설명서에서 설명하는 방법이 아닌 다른 방법으로 본 장치를 사용하거나 설치하지 마십시오.

## 위험 정보 표시

<b>⚠ 위험</b>
방지하지 않을 경우 사망 또는 심각한 부상이 일어나는 잠재적 또는 즉각적 위험 상황을 의미합니다.



<b>⚠ 경고</b>
방지하지 않을 경우 사망 또는 심각한 부상이 일어날 수 있는 잠재적 또는 즉각적 위험 상황을 의미합니다.


<b>⚠ 주의</b>
경미하거나 심하지 않은 부상을 초래할 수 있는 잠재적으로 위험한 상황을 경고합니다.

<b>주의사항</b>
방지하지 않을 경우 장치가 손상될 수도 있는 상황을 의미합니다. 특별히 강조할 필요가 있는 정보.

## 주의 경고

본 장치에 부착된 표기들을 참조하시기 바랍니다. 표시된 지침을 따르지 않으면 부상이나 기기 손상이 발생할 수 있습니다. 기기에 표시되어 있는 심볼은, 매뉴얼의 위험 또는 주의사항 진술에 포함되어 있습니다.

	이는 안전 경고 기호를 나타냅니다. 잠재적인 부상 위험을 방지할 수 있도록 이 기호를 따라 모든 안전 메시지를 준수하십시오. 기기에 안전 기호가 부착되어 있는 경우 작동 및 안전 정보에 대해서는 작동 설명서를 참조하십시오.
	이 기호는 전기 충격 및/또는 감전사의 위험이 있음을 나타냅니다.

	이 기호가 표시된 전기 장비는 유럽 폐기물 처리 제도에 따라 2005년 8월 12일 이후에는 폐기할 수 없습니다. 이제는 유럽 지방 및 국가 규정(EU Directive 2002/96/EC)에 따라 유럽의 전기 장비 사용자는 중고 장비나 수명이 다한 장비를 사용자가 비용을 부담하지 않고 제조업체에서 처리하도록 반환해야 합니다. <b>참고:</b> 재활용을 위해 반환하려면 장비 제조업체나 공급업체에 문의하여 수명이 다한 장비, 제조업체에서 받은 전기 부품 및 모든 보호 물품을 올바른 방법으로 폐기하기 위한 반환 방법을 확인하십시오.
--	--

## 인증

### 캐나다 무선 간섭 유발 장치 규정, IECIS-003, 등급 A:

보조 테스트 기록은 제조업체가 제공합니다.

본 등급 A 디지털 장치는 캐나다 간섭 유발 장치 규정의 모든 요구조건을 만족합니다.

Cet appareil numérique de la classe A respecte toutes les exigences du Règlement sur le matériel brouilleur du Canada.

### FCC Part 15, Class "A" 제한

보조 테스트 기록은 제조업체가 제공합니다. 본 장치는 FCC 규칙, Part 15를 준수합니다. 본 장치는 다음 조건에 따라 작동해야 합니다.

1. 유해한 간섭을 일으키지 않아야 합니다.
2. 바람직하지 않은 작동을 유발할 수 있는 간섭을 포함하여 수신되는 모든 간섭에도 정상적으로 작동해야 합니다.

본 장치의 준수 책임이 있는 측이 명시적으로 허용하지 않은 변경 또는 수정을 가하는 경우 해당 사용자의 장치 작동 권한이 무효화될 수 있습니다. 본 장치는 FCC 규칙, Part 15에 의거하여 등급 A 디지털 장치 제한 규정을 준수합니다. 이러한 제한은 상업 지역에서 장치를 작동할 때 유해한 간섭으로부터 적절하게 보호하기 위하여 제정되었습니다. 본 장치는 무선 주파수 에너지를 생성 및 사용하며 방출할 수 있고 사용 설명서에 따라 설치하고 사용하지 않을 경우 무선 통신에 해로운 간섭을 일으킬 수 있습니다. 주거 지역에서 본 장치를 사용하면 해로운 간섭을 일으킬 수 있으며, 이 경우 사용자는 자비를 들여 간섭 문제를 해결해야 합니다. 다음과 같은 방법으로 간섭 문제를 줄일 수 있습니다.

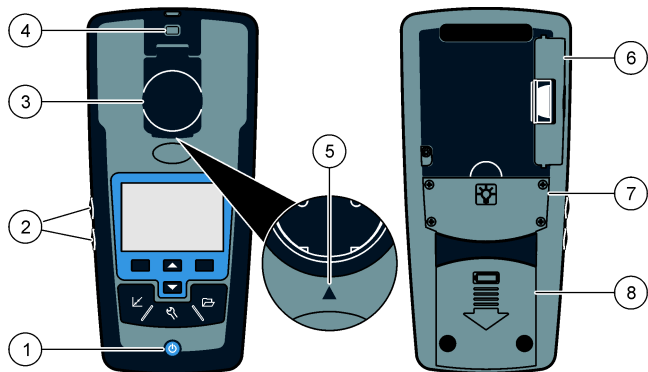
1. 장치를 전원에서 분리하여 장치가 간섭의 원인인지 여부를 확인합니다.

2. 장치가 간섭을 받는 장치와 동일한 콘센트에 연결된 경우, 장치를 다른 콘센트에 연결해보십시오.
3. 장치를 간섭을 받는 장치로부터 멀리 떨어뜨려 놓으십시오.
4. 간섭을 받는 장치의 안테나 위치를 바꿔보십시오.
5. 위의 방법들을 함께 이용해보십시오.

### 제품 소개

2100Q 및 2100Qis 휴대용 탁도계는 0 ~ 1000 NTU (FNU) 범위의 탁도를 측정합니다. 주로 현장용으로 사용되는 본 휴대용 계측기는 AA 건전지 4개로 작동합니다. 데이터를 프린터, 컴퓨터 또는 USB 저장 장치로 저장 및 전송할 수 있습니다.

그림 31 제품 소개

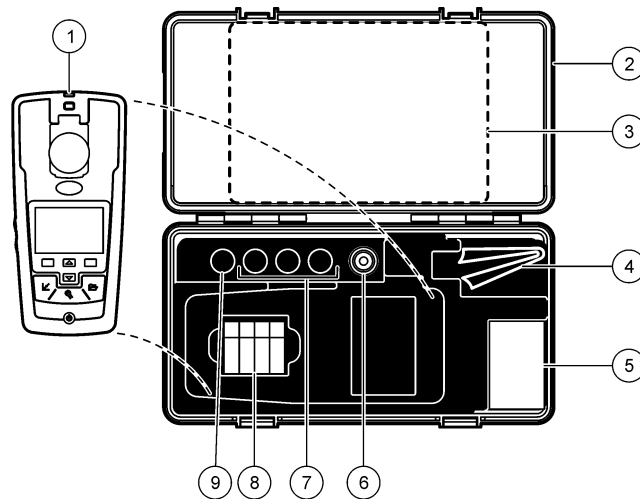


1 전원 켜기 또는 끄기	5 정렬 화살표
2 백라이트 키 (+ 및 -)	6 모듈
3 뚜껑이 있는 샘플 셀 홀더	7 램프 구획
4 줄 메는 부분	8 건전지 구획

### 제품 구성 부품

그림 32를 참조하여 모든 구성 부품이 동봉되었는지 확인하십시오. 이 중에서 누락되거나 손상된 품목이 있으면 즉시 제조업체나 판매 대리점에 문의하십시오.

그림 32 2100Q 및 2100Qis 구성 부품



1 2100Q 또는 2100Qis 탁도계	6 실리콘 오일
2 휴대 케이스	7 20, 100 및 800 NTU StabiCal 교정 표준액
3 사용 설명서, 빠른 참조 가이드 및 CD-ROM	8 AA 알칼리 건전지(pk/4)
4 오일 도포용 형검	9 StabiCal 10 NTU 검증액
5 캡(pk/6)이 있는 1" 샘플 셀(10 mL)	

## 설치

### ⚠ 주의

신체 부상 위험. 해당 전문요원이 지침서에 의거하여 다룹니다.

## 건전지 설치

### ⚠ 경고

잠재적 화재 위험. 계측기에 알칼리 건전지 또는 NiMH 충전지만 사용하십시오. 다른 종류의 건전지를 사용하거나 건전지를 잘못 설치하면 화재가 발생할 수 있습니다. 절대 종류가 다른 건전지를 계측기에 혼용하지 마십시오.

### 주의사항

건전지 구획은 방수가 아닙니다. 건전지 구획에 물이 들어가면 건전지를 빼서 말리고 구획 내부를 즉시 닦으십시오. 건전지 접촉면의 부식 상태를 확인하고 필요하면 청소합니다.

### 주의사항

NiMH 충전지를 사용하는 경우, 완전히 충전한 충전지를 삽입해도 건전지 아이콘이 완전히 채워지지 않습니다(1.5V인 알칼리 건전지와 달리 NiMH 충전지의 전압은 1.2V임). 아이콘이 완충되지 않은 것으로 표시되더라도 2500mAh NiMH 충전지는 새 알칼리 건전지와 비교하여 장치 작동 시간(재충전까지의 시간)의 90%까지 사용할 수 있습니다.

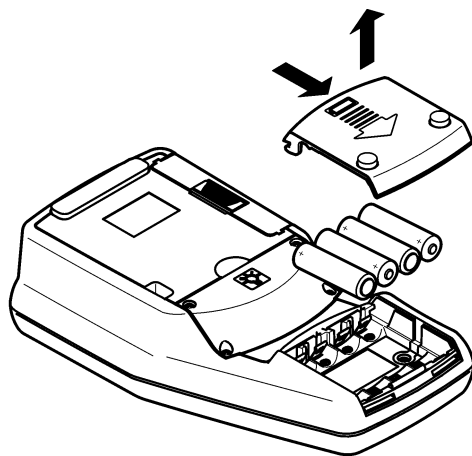
본 계측기는 AA 알칼리 건전지 또는 NiMH 충전지를 사용하여 작동합니다. 건전지 사용 시간을 늘리기 위해 계측기는 10분 동안 사용하지 않으면 자동으로 꺼집니다. 백라이트는 30초 후에 꺼집니다. 이 시간은 전원 관리 메뉴에서 변경할 수 있습니다.

**참고:** 충전지는 USB/전원 모듈을 이용해서만 충전됩니다. 자세한 내용은 모듈 설명서를 참조하십시오.

건전지 설치에 대해서는 **그림 33**를 참조하십시오.

1. 건전지 덮개를 제거합니다.
2. AA 알칼리 건전지 4개 또는 AA NiMH 충전지 4개를 설치합니다. 건전지를 올바른 방향으로 설치해야 합니다.
3. 건전지 덮개를 다시 끼웁니다.

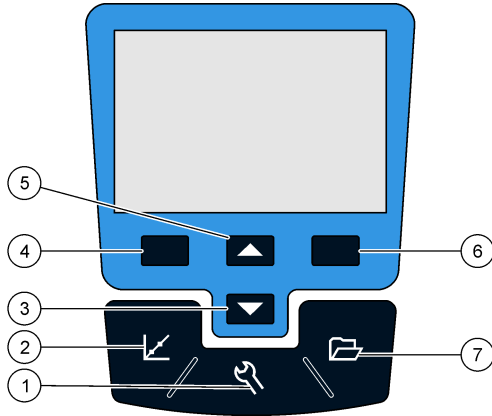
그림 33 건전지 설치



## 사용자 인터페이스 및 탐색

### 사용자 인터페이스

그림 34 키패드 설명

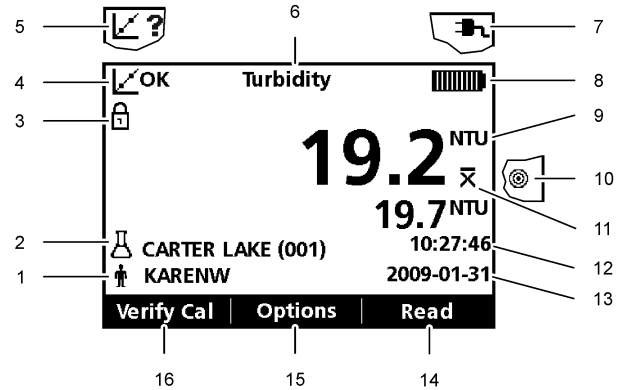


1 <b>설정</b> 키: 계측기 설정을 위한 메뉴 옵션을 선택합니다.	5 <b>위쪽</b> 키: 메뉴를 스크롤하고 숫자와 문자를 입력합니다.
2 <b>교정</b> 키: 교정 화면을 표시하고 교정을 시작하며 교정 옵션을 선택합니다.	6 <b>오른쪽</b> 키(상황별 기능 키): 탁도 샘플을 관독하고 옵션을 선택 또는 확인하며 하위 메뉴를 열거나 이동합니다.
3 <b>아래쪽</b> 키: 메뉴를 스크롤하고 숫자와 문자를 입력합니다.	7 <b>데이터 관리</b> 키: 저장된 데이터를 확인, 삭제 또는 전송합니다.
4 <b>왼쪽</b> 키(상황별 기능 키): 교정 확인에 접근하고 현재 메뉴 화면을 취소하거나 이전 메뉴 화면으로 나갑니다.	

## 화면 설명

측정 화면에는 탁도, 단위, 교정 상태, 날짜 및 시간, 작동자 ID(설정된 경우) 및 샘플 ID(설정된 경우)가 표시됩니다. 그림 35을 참조하십시오.

그림 35 단일 화면 표시



1 작동자 ID	9 NTU (Nephelometric Turbidity Unit) 또는 FNU (Formazin Turbidity Unit)
2 샘플 ID	10 관독 모드: Rapidly Settling Turbidity(대상 아이콘)
3 안정성 또는 화면 잠금 표시기	11 관독 모드: 신호 평균(X-바 아이콘)
4 교정 상태 표시기(교정 OK=합격)	12 시간
5 교정 상태 표시기(교정 ?=불합격)	13 날짜
6 파라미터 이름	14 관독(상황별 메뉴: OK, 선택)
7 AC 전원 아이콘	15 옵션(상황별 메뉴)
8 건전지 아이콘	16 교정 확인


## 탐색

계측기에는 다양한 옵션을 변경하기 위한 설정 메뉴, 관독 옵션 메뉴, 교정 옵션 메뉴 및 교정 확인 옵션 메뉴가 있습니다. **위쪽** 및 **아래쪽** 키를 사용하여 각 옵션을 강조 표시합니다. **오른쪽** 키를 눌러 옵션을 선택합니다. 옵션은 다음 두 가지 방법으로 변경합니다.

1. 목록에서 옵션을 선택합니다. 옵션을 선택할 때는 **위쪽** 및 **아래쪽** 키를 사용합니다. 확인란이 표시되면 둘 이상의 옵션을 선택할 수 있습니다. 선택 아래에서 **왼쪽** 키를 누릅니다.  
*참고: 확인란을 선택 해제하려면 선택해제 아래에서 **왼쪽** 키를 누릅니다.*
2. 화살표 키를 사용하여 옵션 값을 입력합니다. **위쪽** 및 **아래쪽** 키를 눌러 값을 입력하거나 변경합니다.
3. **오른쪽** 키를 눌러 다음 공백으로 전진합니다.
4. **OK** 아래에서 **오른쪽** 키를 눌러 값을 적용합니다.

## 시작하기

### 계측기 켜기 및 끄기

 **ON/OFF** 키를 눌러 계측기를 켜거나 끕니다. 계측기가 켜지지 않으면 건전지 또는 모듈이 올바르게 설치되어 있는지, 또는 **AC** 전원이 전기 콘센트에 올바르게 연결되었는지 확인하십시오.

*참고: 자동 종료 옵션을 사용하여 계측기를 끌 수도 있습니다. 자세한 내용은 CD에서 본 설명서의 확장 버전인 상세 설명서를 참조하십시오.*

### 언어 변경

세 가지 언어 옵션을 설정할 수 있습니다.

- 계측기 전원을 처음으로 켤 때 화면 언어를 선택합니다.
- 전원 키를 누른 상태로 유지하면 화면 언어가 선택됩니다.
- 언어는 설정 메뉴에서 변경할 수 있습니다.

1. 목록에서 언어를 선택합니다. **확인**을 눌러 확인합니다.
2. 업데이트가 완료되면 **완료**를 누릅니다.

### 날짜 및 시간 변경

날짜 및 시간은 날짜 및 시간 메뉴에서 변경할 수 있습니다.

1. **설정** 키를 누르고 날짜 및 시간을 선택합니다.
2. 날짜 및 시간 정보 업데이트:

옵션	설명
형식	날짜 및 시간 형식 중 한 가지 선택: yyyy-mm-dd 24h yyyy-mm-dd 12h dd-mm-yyyy 24h dd-mm-yyyy 12h mm/dd/yyyy 24h mm/dd/yyyy 12h
날짜	현재 날짜 입력
시간	현재 시간 입력

현재 날짜와 시간이 화면에 표시됩니다.

날짜와 시간을 설정하면 계측기의 관독 준비가 끝납니다.

## 표준 작동

### 샘플 ID 사용

샘플 ID 태그를 사용하여 관독값을 특정 샘플 위치와 연결시킵니다. 할당된 경우, 저장 데이터에 이 ID가 포함됩니다.

1. 설정 메뉴에서 **샘플 ID**를 선택합니다.
2. ID 선택, 만들기 또는 삭제:

옵션	설명
현재 ID	목록에서 ID를 선택합니다. 다른 ID를 선택할 때까지 현재 ID가 샘플 데이터에 연결됩니다.
새 샘플 ID 만들기	새 샘플 ID에 대한 이름을 입력합니다.
샘플 ID 삭제	기존 샘플 ID를 삭제합니다.



## 작동자 ID 사용

작동자 ID 태그는 판독값을 개별 작동자와 연결시킵니다. 모든 저장 데이터에 이 ID가 포함됩니다.

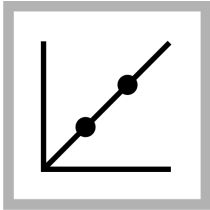
1. 설정 메뉴에서 **작동자 ID**를 선택합니다.
2. 작동자 ID 선택, 만들기 또는 삭제:

옵션	설명
현재 ID	목록에서 ID를 선택합니다. 다른 ID를 선택할 때까지 현재 ID가 샘플 데이터에 연결됩니다.
새 작동자 ID 만들기	새 작동자 ID의 이름을 입력합니다(최대 10개까지 가능).
작동자 ID 삭제	기존 작동자 ID를 삭제합니다.

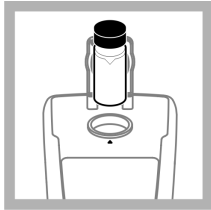
## 고급 작동

### StabiCal® 표준액을 이용하여 탁도계를 교정합니다.

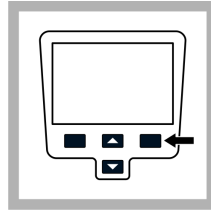
**참고:** 정확도를 높이기 위해 교정 중 모든 판독에 동일한 샘플 셀 또는 4 개의 매칭 샘플 셀을 사용하십시오. 다이아몬드 또는 방향 표시가 셀 구획 전면의 돌아진 방향 표시에 맞도록 하여 샘플 셀을 장치 셀 구획에 삽입합니다.



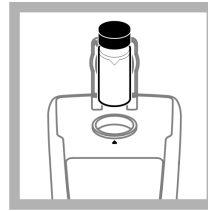
**1. 교정** 키를 눌러 교정 모드로 들어갑니다. 화면의 지침을 따르십시오.  
**참고:** 표준액을 삽입하기 전에 각 표준액을 개별적으로 뒤집습니다.



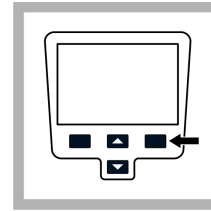
**2. 20NTU StabiCal** 표준액을 삽입하고 덮개를 닫습니다.  
**참고:** 삽입할 표준액이 테두리가 둘러져 있습니다.



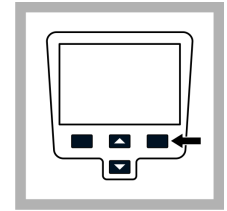
**3. 판독**을 누릅니다. 화면에 안정화 중...이 표시된 다음 결과가 표시됩니다.



**4. 100 NTU 및 800 NTU StabiCal** 표준액을 이용하여 2단계와 3단계를 반복합니다.  
**참고:** 완료 버튼을 눌러 2 포인트 교정을 완료합니다.




**5. 완료**를 눌러 교정의 상세 내용을 검토합니다.



**6. 저장**을 눌러 결과를 저장합니다. 교정이 완료되면 계측기가 자동으로 교정 확인 모드로 들어갑니다. 자세한 내용은 CD에서 본 설명서의 확장 버전인 상세 설명서를 참조하십시오.

## 판독 모드

1. 위쪽 또는 아래쪽 키를 눌러 판독 옵션 메뉴로 들어갑니다.
2. 판독 모드를 선택하여 다음 옵션 중 하나를 선택합니다.

옵션	설명
일반 (기본 설정)	일반 모드는 판독을 3번 수행하고 평균을 계산합니다. 결과는 판독 후에 표시됩니다.
신호 평균	신호 평균 모드는 빛의 경로를 통과할 때 샘플 입자가 정상 경로에서 이탈하여 발생하는 판독 오차를 보정합니다. 신호 평균이 작동 중일 때는 X-바 아이콘이 화면에 표시됩니다. 
	신호 평균 모드는 12회 측정을 수행하며 3번 판독 후 평균을 표시하기 시작합니다. 최종 결과는 12회 판독의 전체 평균입니다.

**옵션 설명**

**Rapidly Settling Turbidity™ (RST)**



Rapidly Settling Turbidity (RST) 모드는 실시간 측정값을 누적시키고 그 경향을 바탕으로 샘플의 탁도 판독값을 95% 신뢰도까지 계산하여 지속적으로 업데이트합니다.

RST 모드는 빠르게 안정화되고 값을 지속적으로 변화시키는 샘플에 사용하면 효과가 매우 좋습니다. 판독값은 판독을 시작할 때 균질하게 울마로 준비된 샘플을 기준으로 합니다. 이는 20 NTU 이상 샘플에 적용하기에 매우 좋습니다. 샘플은 계측기에 삽입하기 직전에 뒤집어서 완전히 혼합해야 합니다.

Rapidly Settling Turbidity가 작동하면 화면에 대상 아이콘이 표시됩니다.

Rapidly Settling Turbidity는 중간 결과를 표시하면서 5회에 걸쳐 판독을 수행하고 결과를 계산합니다.

**유지관리**

**▲ 주의**

신체 부상 위험. 해당 전문요원이 지침서에 의거하여 다룹니다.

**계측기 청소**

계측기는 유지관리가 필요 없도록 설계되었으며 정상적 작동을 위해 정기적으로 청소할 필요가 없습니다. 필요한 경우 계측기의 외부 표면을 청소할 수 있습니다.

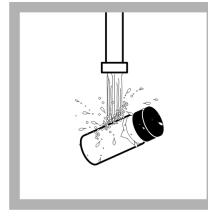
**참고:** 재질이 손상될 수 있으니 계측기를 용제로 닦지 마십시오.

1. 계측기를 청소할 때는 먼지와 보풀이 없는 마른 또는 약간 젖은 헝겊을 사용하십시오. 잘 닦이지 않는 찌든 때를 벗겨낼 때는 연한 비눗물을 사용할 수도 있습니다.

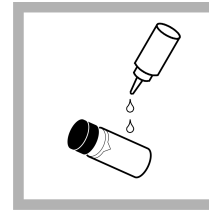
**샘플 셀에 실리콘 오일 도포**

샘플 셀과 컵은 매우 깨끗해야 하며 큰 스크래치가 없어야 합니다. 샘플 셀 외부에 실리콘 오일을 얇게 도포하여 빛을 산란시킬 수 있는 작은 결함과 스크래치를 매웁니다.

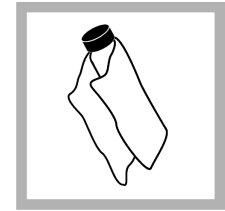
**참고:** 제공된 실리콘 오일만 사용하십시오. 이 실리콘 오일은 샘플 셀 유리와 글질물이 같습니다.



1. 실험실용 유리 세정제를 이용하여 셀 및 캡의 내부와 외부를 세척합니다. 그런 다음 증류수나 탈이온수로 여러 번 헹굽니다.



2. 셀 상부에서 하부로 실리콘 오일을 소량씩 짜서 도포합니다.



3. 제공된 오일 도포용 형질을 이용하여 오일을 골고루 퍼뜨립니다. 오일을 얇게 도포하고 남은 오일은 닦아냅니다. 샘플 셀에 오일이 전혀 또는 거의 보이지 않도록 건조시켜야 합니다.  
**참고:** 오일 도포용 형질은 플라스틱 보관 백에 넣어 깨끗하게 보관해야 합니다.

**샘플 셀 보관**

**주의사항**

샘플 셀을 공기로 말리지 마십시오.

**참고:** 셀이 건조해지지 않도록 항상 샘플 셀에 캡을 단아 보관하십시오.

1. 샘플 셀에 증류수나 탈이온수를 채웁니다.
2. 샘플 셀에 뚜껑을 단고 보관합니다.
3. 샘플 셀 외부를 부드러운 헝겊으로 닦아 물기를 없앱니다.

**건전지 교체**

**▲ 경고**

잠재적 화재 위험. 계측기에 알칼리 건전지 또는 NiMH 충전지만 사용하십시오. 다른 종류의 건전지를 사용하거나 건전지를 잘못 설치하면 화재가 발생할 수 있습니다. 절대 종류가 다른 건전지를 계측기에 혼용하지 마십시오.

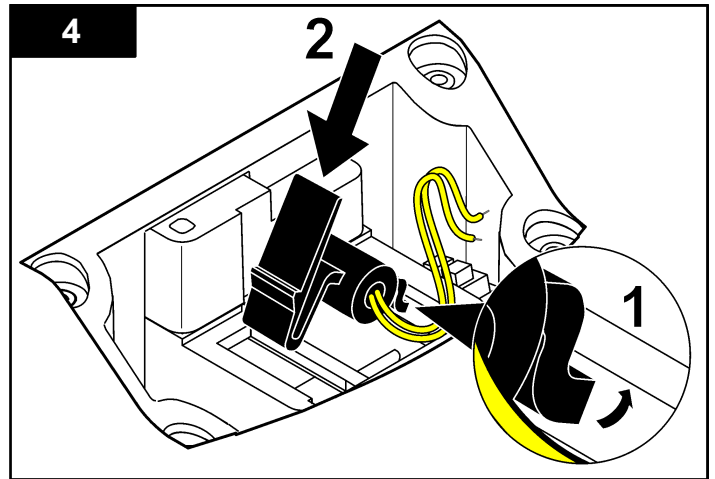
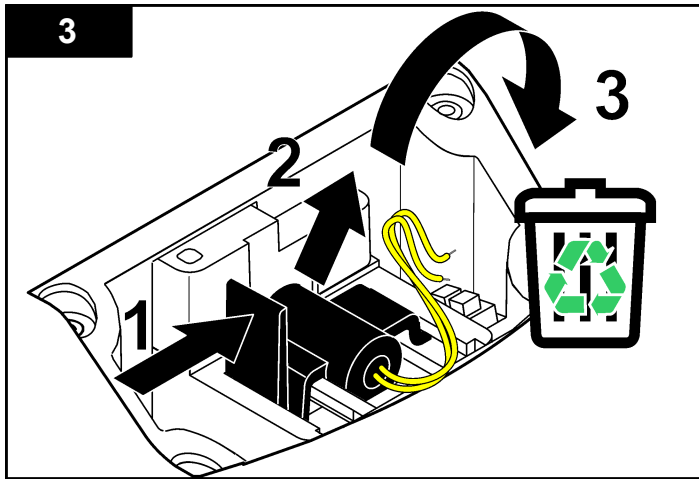
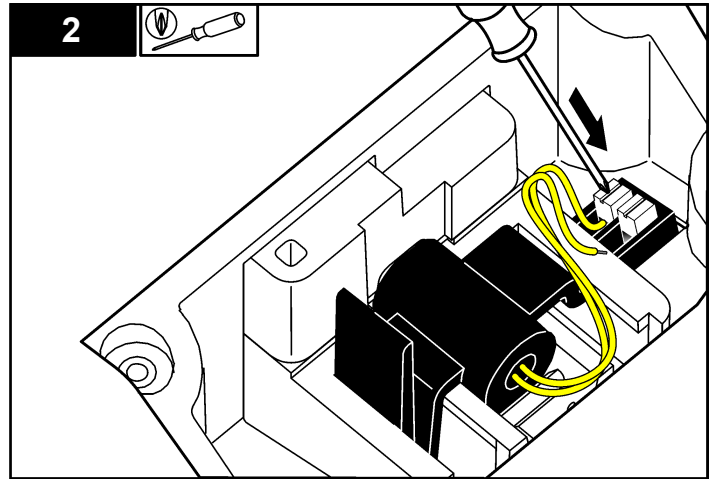
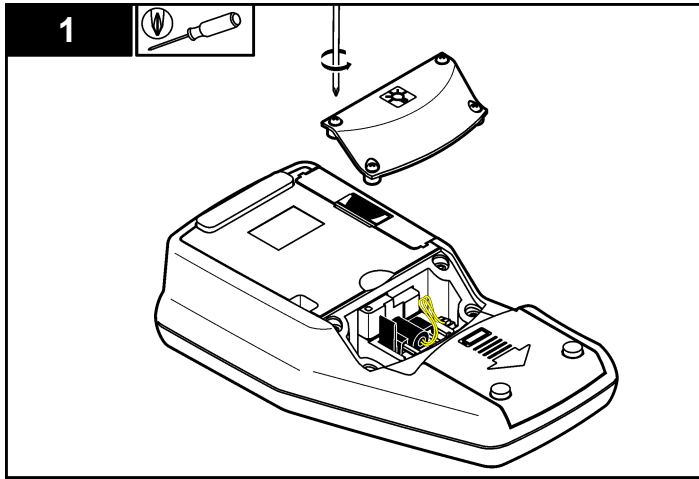
건전지 교체에 대해서는 **그림 33** 페이지의 **86**를 참조하십시오.

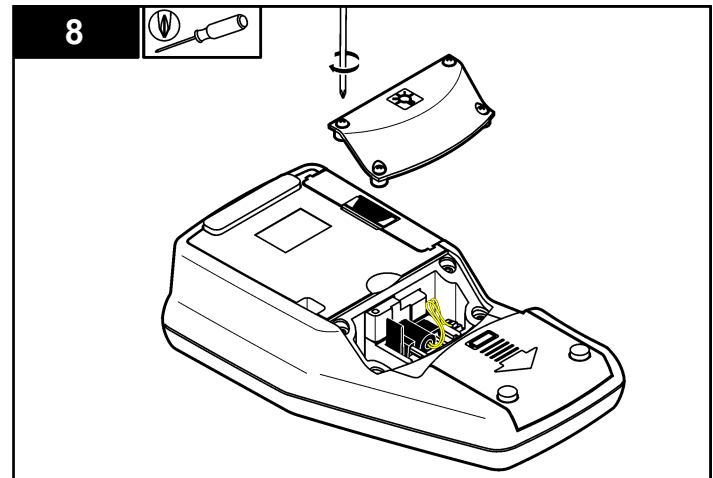
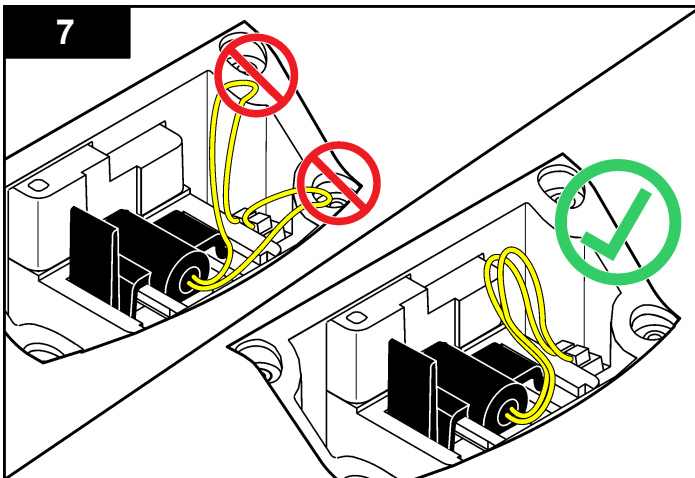
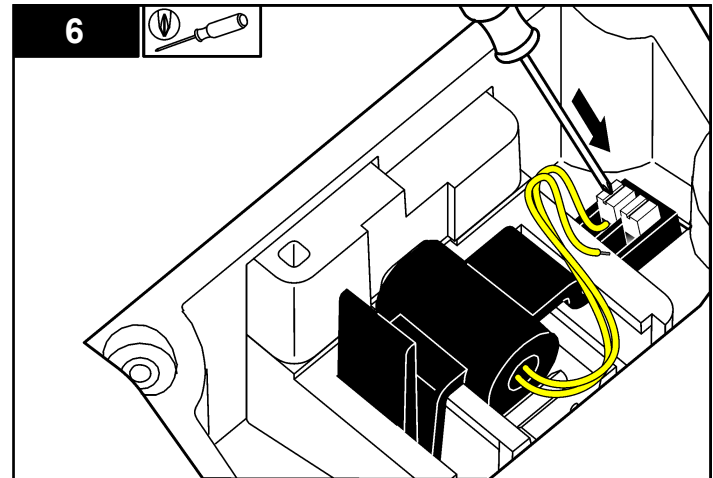
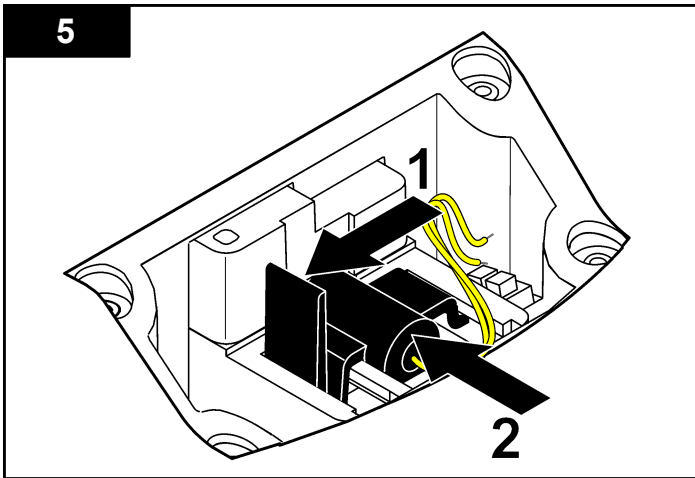
1. 건전지 덮개를 제거합니다.
2. 건전지를 빼냅니다.
3. AA 알칼리 건전지 4개 또는 AA NiMH 충전지 4개를 설치합니다. 건전지를 올바른 방향으로 설치해야 합니다.
4. 건전지 덮개를 다시 끼웁니다.

## 램프 교체

### ⚠ 주의

화상 위험 램프가 식을 때까지 기다리십시오. 뜨거운 램프를 만지면 화상을 입을 수 있습니다.





## 문제 해결

아래 표에서 일반적 문제 메시지나 증상, 가능한 원인 및 해결 조치를 참조하십시오.

오류/경고	설명	해결 방법
<b>덮개를 닫고 판독을 누르십시오.</b>	덮개가 열렸거나 덮개를 감지하지 못했습니다.	판독 및 재판독 중에는 덮개를 닫아두십시오.
<b>건전지 부족!</b>	건전지 전원이 부족합니다.	<ul style="list-style-type: none"> <li>새 건전지를 끼우십시오.</li> <li>충전지를 사용하는 경우에는 <b>USB/전원</b> 모듈을 연결하십시오.</li> </ul>
<b>ADC 실패!</b>	판독 실패를 유발하는 하드웨어 오류가 발생했습니다.	다시 판독하십시오.
<b>검출기 신호가 너무 낮음!</b>	180° 검출기에서 광량이 부족합니다.	<ul style="list-style-type: none"> <li>빛 경로가 막혔는지 점검하십시오.</li> <li>램프를 점검하십시오.</li> </ul>
<b>범위 초과!</b>	탁도가 너무 높습니다. RapidCal™로만 교정하려고 했기 때문일 수 있습니다.	<ul style="list-style-type: none"> <li>상위 범위를 교정하십시오.</li> <li>샘플을 희석하십시오.</li> </ul>
<b>범위 미만!</b>	측정한 흡광도가 교정 범위에 미달됩니다.	교정을 반복하십시오.
<b>램프를 점검하십시오!</b>	90° 및 180° 검출기에서 신호가 너무 약합니다.	<p><b>2100Q:</b> 램프에 결함이 있습니다. 램프를 교체하십시오(<b>램프 교체</b> 페이지의 91 참조).</p> <p><b>2100Qis:</b> 기술 지원을 요청하십시오.</p>
<b>온도가 너무 높습니다! 장치 전원을 끄십시오.</b>	온도가 계측기 한계를 초과했습니다(>60 °C 또는 >140 °F).	계측기를 끄고 식히십시오.

오류/경고	설명	해결 방법
<b>RST: 평균값!</b>	고형물이 너무 천천히 안정화됩니다. 이 샘플에 판독 모드가 적합하지 않습니다.	일반 또는 신호 평균 판독 모드를 선택하십시오.
<b>신뢰 수준: 95% 미만</b>	판독 모드 <b>Rapidly Settling Turbidity</b> 가 $\geq 95\%$ 신뢰 범위를 충족하지 않습니다.	<ul style="list-style-type: none"> <li>고형물이 분리되도록 샘플을 여러 번 뒤집으십시오. 판독을 다시 수행하십시오.</li> <li>샘플이 안정적이고 고찰될 수 있는 고형물이 없는 경우 일반 판독 모드로 전환하십시오.</li> </ul>
<b>표준 값 범위 초과. 교정액을 넣고 판독을 누르기</b>	판독에 잘못된 표준 값을 사용했습니다.	적합한 표준액을 삽입하고 다시 판독하십시오.
<b>이미 사용 중인 ID. 새 ID 입력</b>	작동자 또는 샘플 ID가 이미 할당되어 사용할 수 없습니다.	새 ID를 만드십시오.
<b>오류 - 보안 보안을 활성화하기 전에 암호를 설정해 주십시오.</b>	암호를 만들지 않았습니다.	새 암호를 만드십시오.
<b>최소 1 자 이상 입력하십시오.</b>	암호에는 최소 1자 이상이 포함되어야 합니다.	최소 1자 이상을 포함시켜 암호를 만드십시오.
<b>잘못된 암호입니다. 다시 시도.</b>	잘못된 암호를 입력했습니다.	해당 암호를 입력하십시오.
<b>컴퓨터에서 USB 케이블을 분리하십시오.</b>	계측기와 컴퓨터에 연결된 상태에서 데이터 저장 장치가 응답하지 않습니다.	계측기에서 USB 케이블을 분리하고 데이터를 다시 전송해보십시오.
<b>USB 모듈 메모리가 가득 참. 데이터 삭제하고 다시 시도.</b>	데이터 저장 장치가 가득 찼습니다.	<ol style="list-style-type: none"> <li>USB/전원 모듈을 컴퓨터에 연결합니다.</li> <li>컴퓨터로 저장된 데이터를 다운로드합니다.</li> <li>모듈에서 데이터 로그를 삭제합니다.</li> </ol>

오류/경고	설명	해결 방법
마지막 판독값 삭제 실패!	데이터 저장 장치에 오류가 있습니다.	계측기를 껐다가 켜십시오. 계속해서 오류 메시지가 나타나면 기술 지원을 요청하십시오.
데이터 로그 삭제 실패!		
데이터 집합 판독 불가!		
데이터 저장 불가!		
판독 로그에 저장 불가!		
교정 확인 로그에 저장 불가!		
데이터 저장 오류!		
데이터 판독 오류!		

**www.hach.com**

